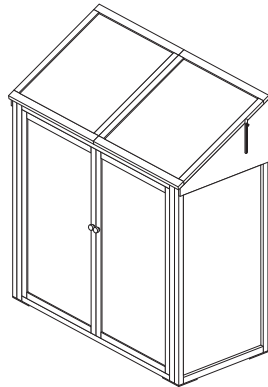


Hardwood Mini Greenhouse

English SS358A

Help Line (Normal Office Hours) 01829 261 121

Assembly Instructions



Before assembly

- We recommend that time is taken to read the instructions before starting assembly, then follow the easy step by step guide. The instruction sheet is only a guide to the assembly. Certain items may not be shown to scale.
- Check all components prior to assembly
- This product should be assembled by no less than two people.
- Never attempt to erect the assembly in high winds.

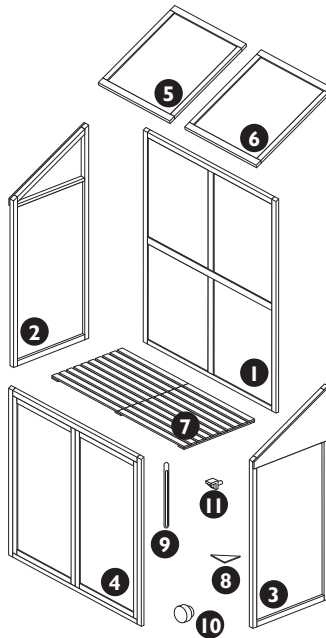
Recommended tools for assembly

- Alen key (supplied in kit)
- Cross-head screw driver

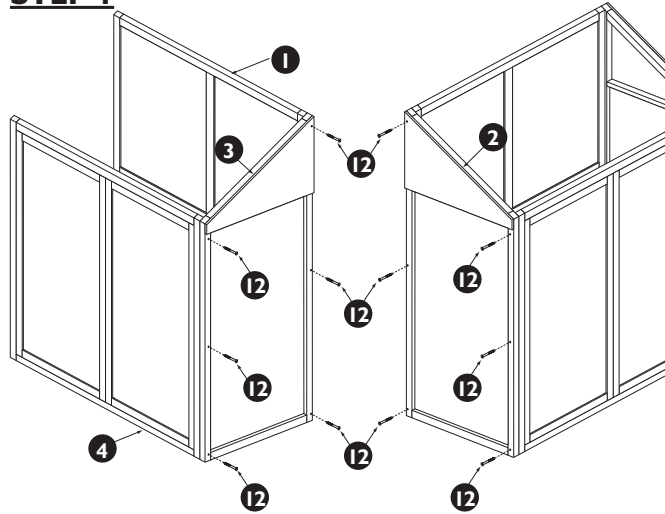


No.	Components	Qty.
1	Back panel	1
2	Left panel	1
3	Right panel	1
4	Door panel	1
5	Left lid	1
6	Right lid	1
7	Shelves	2

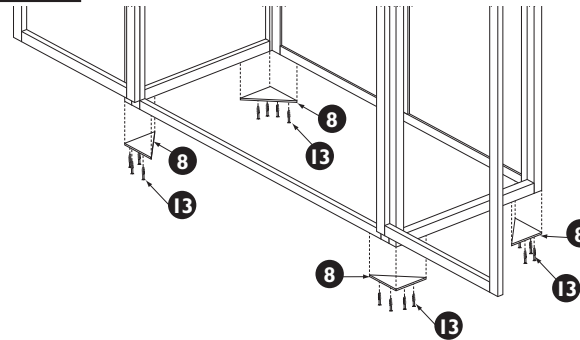
No.	Fixings	Qty.
8	Metal foot plate	4
9	Slide	2
10	Door knob	2
11	Shelf support	10
12	50mm screw	12
13	15mm screw	28
14	15mm roundhead screw	2
15	55mm bolt	2
16	30mm bolt	2
17	Wing nut	2
18	Allen key	1



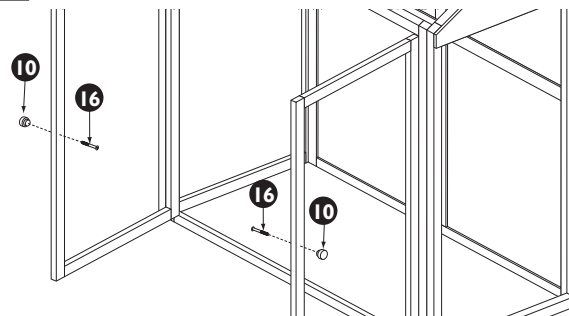
STEP 1



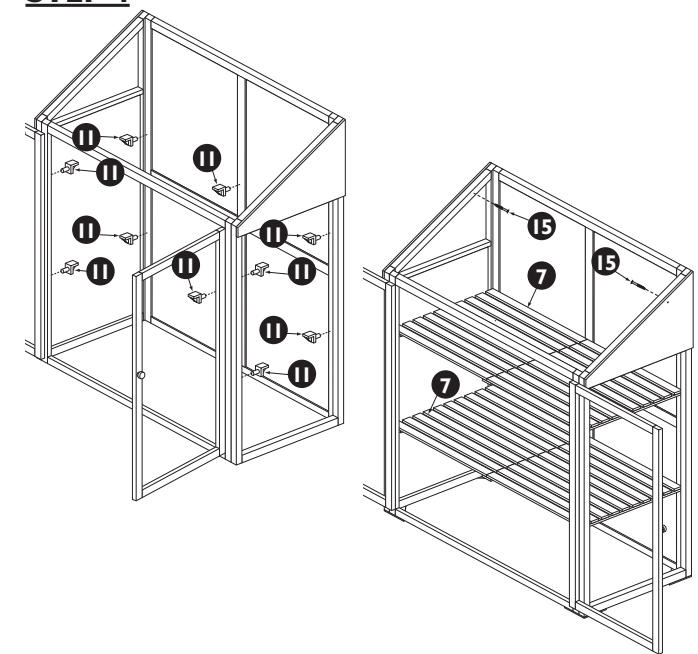
STEP 2



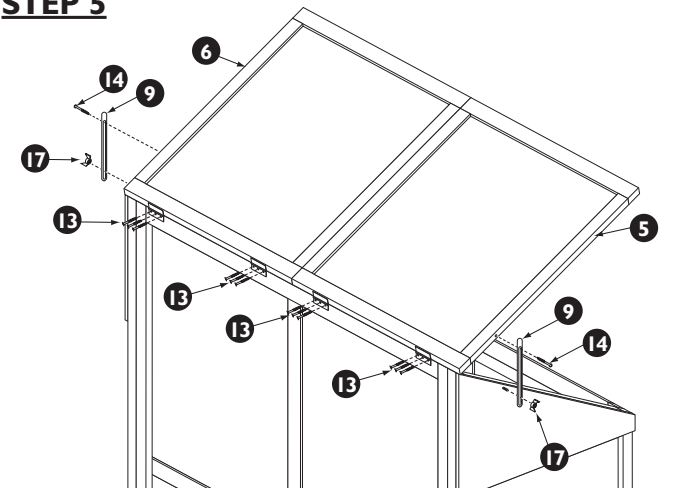
STEP 3



STEP 4



STEP 5



We constantly improve the quality of our products, occasionally the components may differ from the components shown and are only correct at time of printing. We reserve the right to change the specification of our products without prior notice.