

## Important information

**Please check the construction set for completeness using the position list in good time before starting construction or commissioning your construction team.** If individual parts are defective or missing, we will deliver these as quickly as possible. However, we cannot refund the costs for any resulting construction delays to a construction company.

**Please understand that we cannot assume any guarantee for the following defects:**

- incorrect storage before assembly
- incorrect anchoring with the ground or inadequate foundation (foundation according to statics)
- damage due to erection errors, e. g. the house is not level or not right-angled
- damage through a higher level of snow burden than statically envisaged. Recommendation: load relief of the roof by removing the snow layer
- storm damage (insurance cases) or violent destruction
- damage through any alteration to the design by the client
- natural formation of cracks, branch holes, twisting, decolouration or similar modification (natural process; has no influence on the statics)

### **Storage information until construction:**

- store pallet on a level and dry surface.
- Protect from exposure to sunlight and the influences of weather; wood can warp drastically in a loose condition!








### **Maintenance tips:**




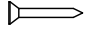



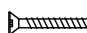



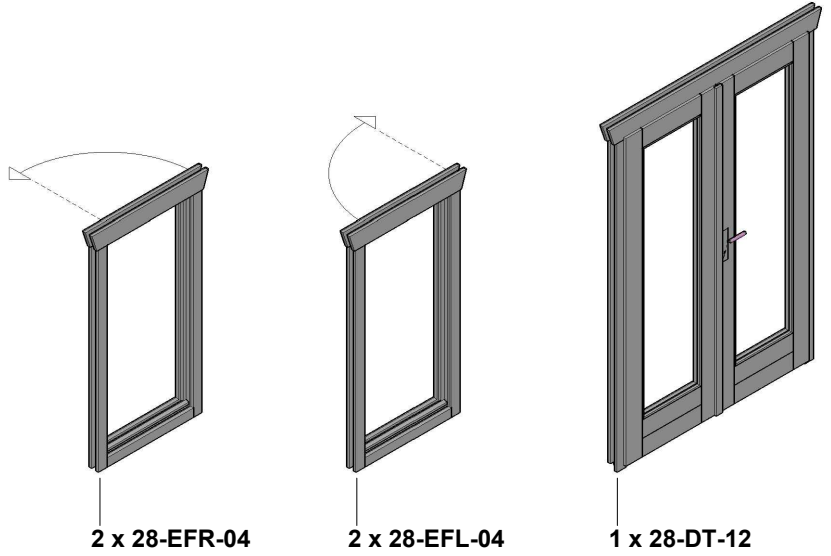
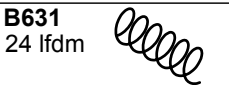
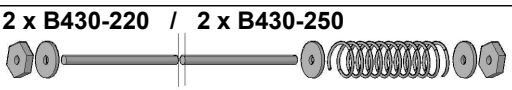
The wood is untreated. Accordingly, regular, protective coating is absolutely necessary! Please observe the attached information sheet "Care instructions/Colour treatment".

## General tips and refers to:

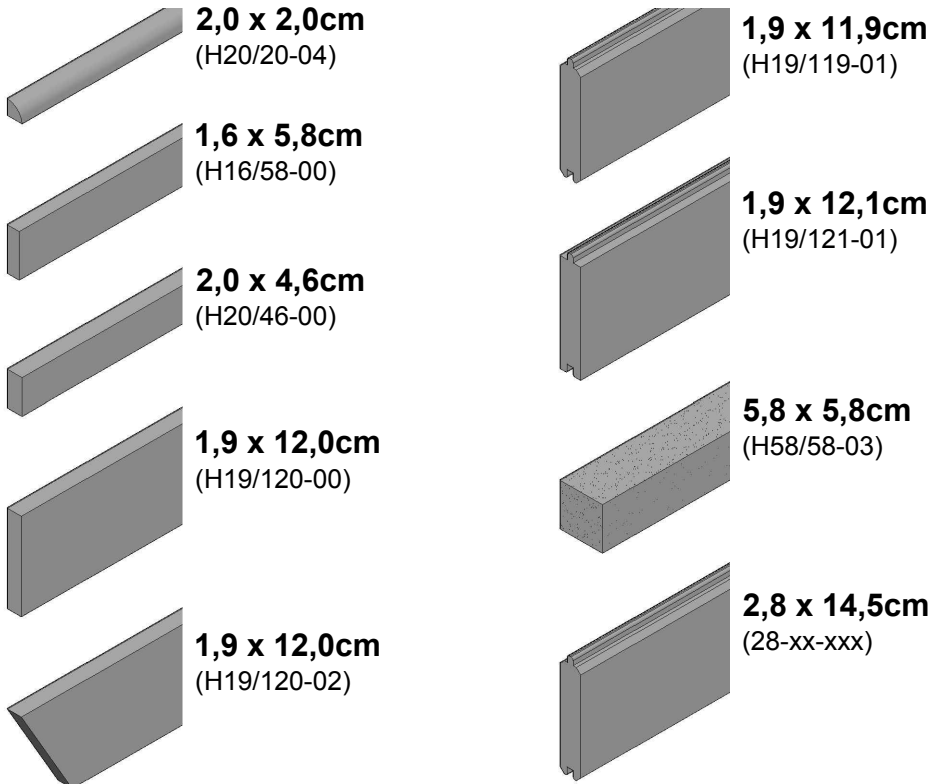


-  1 - The packaging foil **can be used** to keep moisture out of the house. It is laid according to the ground area of the house under the main bearing.
-  2 - As the house is exposed constantly to the weather, it is necessary to lay a further welding line. You have to make it for your own.
-  3 - A possibly desired installation of a rain gutter must be done by the building contractor; for this the roofing boards must be cut to the right length.
-  1 - **Foundation according to the structural calculations** (not included in the scope of delivery): concrete C25/30, each 2 Ø 12 top and bottom, brace mat R188A (alternatively brace Ø 6/20cm). Anchoring of the floor beams **(in the building)** on the strip foundation using bolts M12,  $e \leq 60\text{cm}$ . The base bearings in the storeroom of the house must be entirely flush.
-  2 - The thread rods to secure the house against storm are secured at the top with a washer and a nut, from below with a washer, spring and nut to tighten the upper nut of the thread rod without any problem, the spring at the bottom should be pressed upwards with the thread rod. **The spring may only be tightened slightly** so that the house can work at the top. The **projecting ends of the thread rods have to be cut off at the top**. Even after the house has been completed, attention must always be paid to the fact that the thread rods are not seated on the floor as otherwise when it is dry, gaps can arise and the roof is pressed upwards. **Tip:** the thread rods can also be pushed subsequently into the bores. You have to make sure that **each plank has a bore** and that these are free and **not blocked by shavings or similar**.
-  3 - In case of varying weather conditions, the wood alters in height (due to 'working'). To avoid the formation of joints, the planks of the house may not, for example, be joined **to one another through several block planks** as then the wood can no longer expand.
-  4 - The **door and window frames may not be bolted to the wall above the first supporting plank** since the individual bolts will work in height. If the door does not close correctly, this can be readjusted by **rotating the hinges** in the door leaf and door frames.

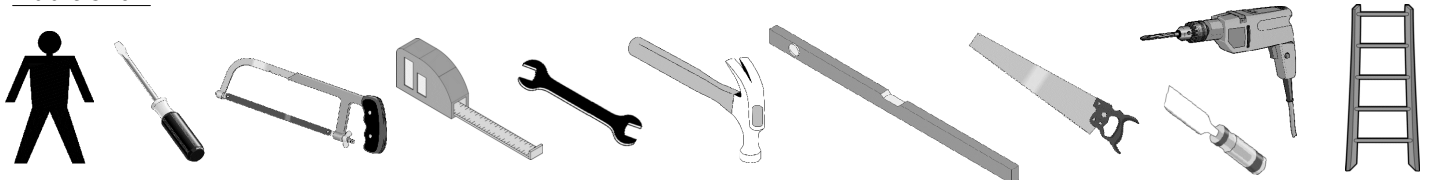
- 2 x B100-L 
- 6 x B100 
- 350 x B510 
- 340 x B115-050  50mm
- 110 x B105-030  30mm
- 790 x B105-040  40mm
- 50 x B105-060  60mm
- 6 x B105-080  80mm
- 24 x B105-100  100mm

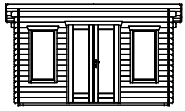


**General idea:**



**Additional:**

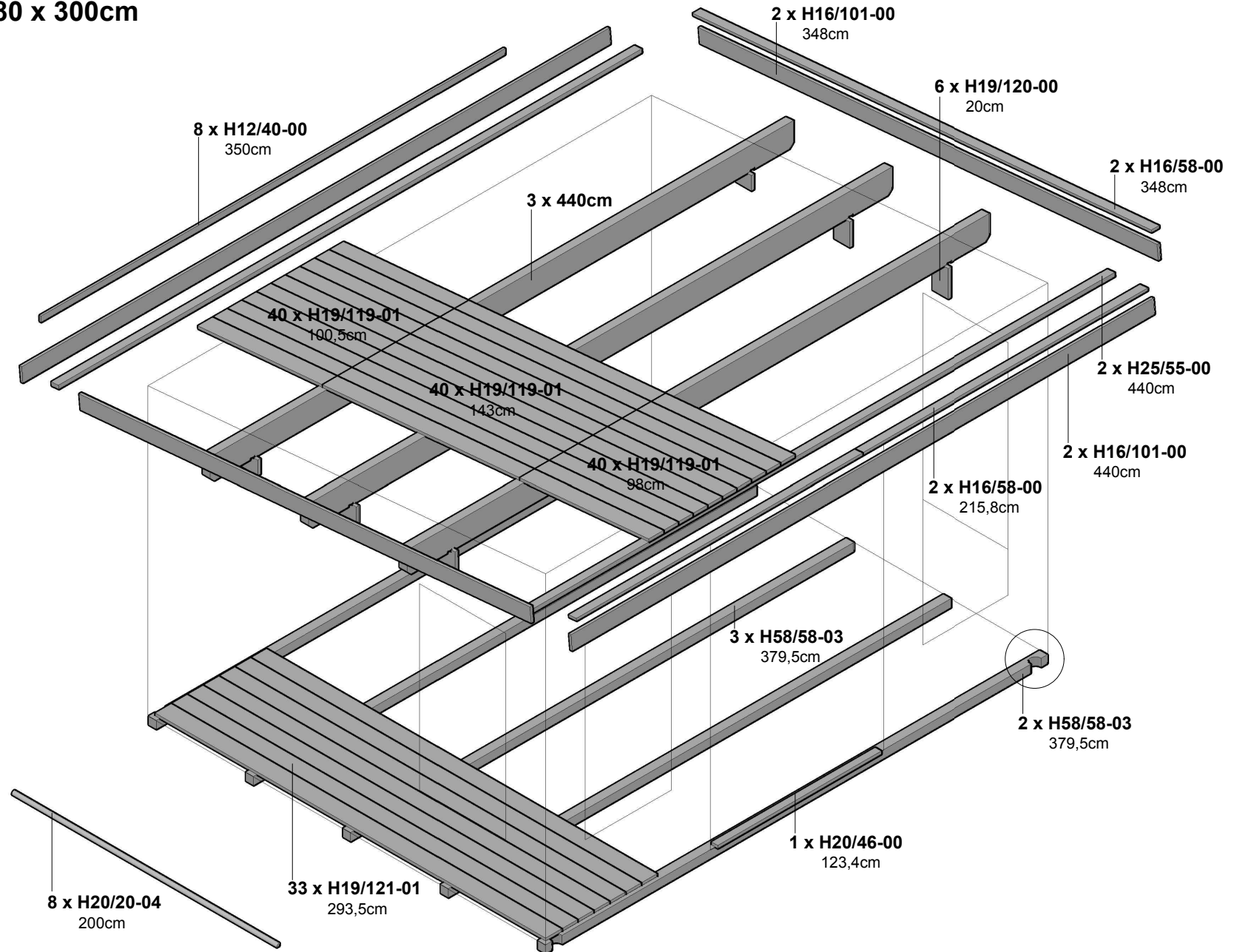


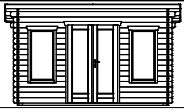


380 x 300cm

760398

3

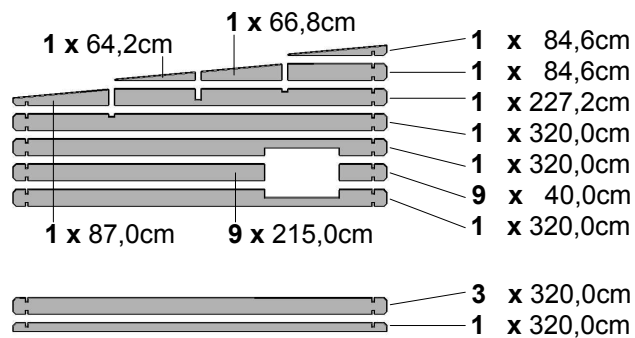
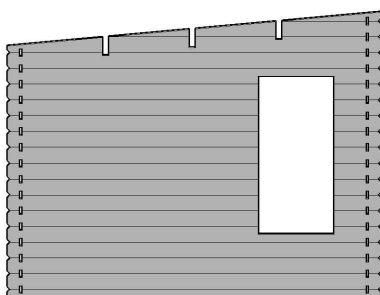
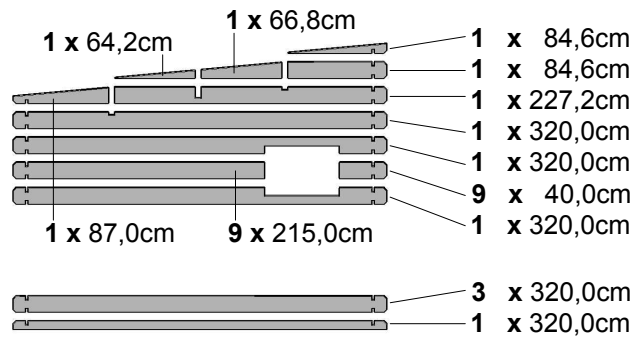
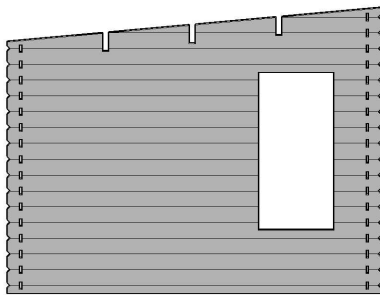
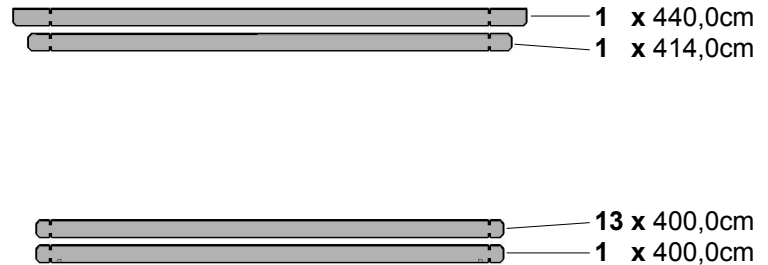
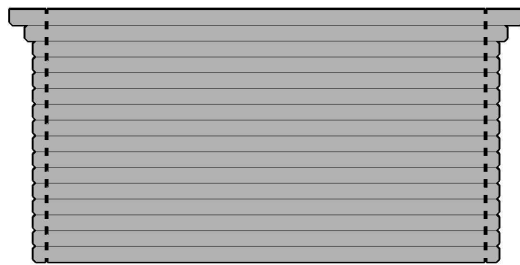
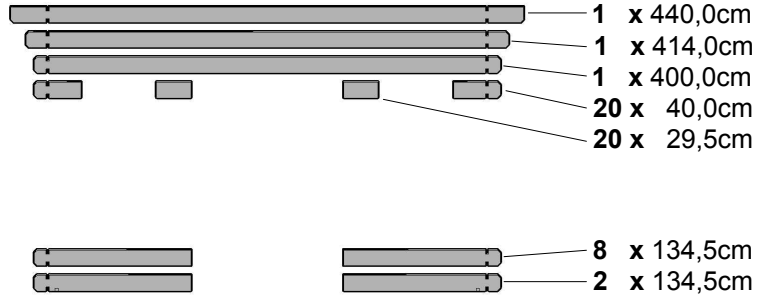
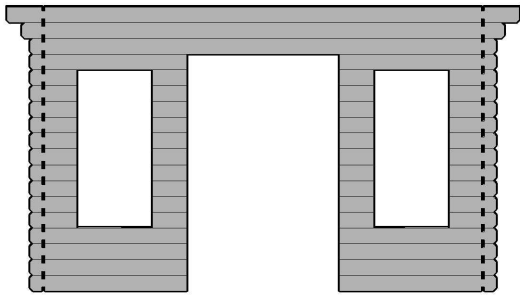


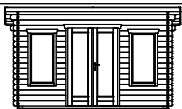


380 x 300cm

760398

4





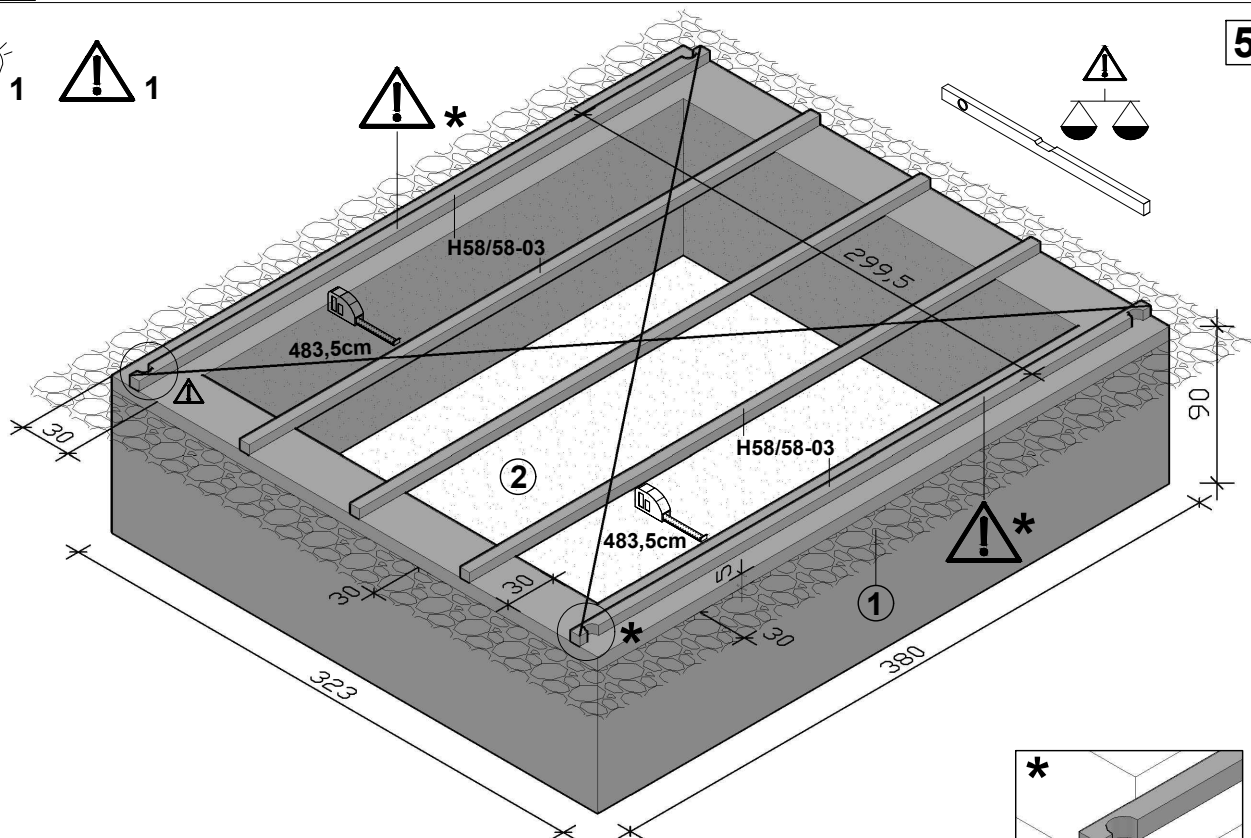
380 x 300cm

760398

1

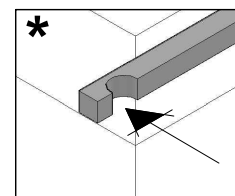


5



① - Splash protection (eg: 30-cm wide gravel strip all round)

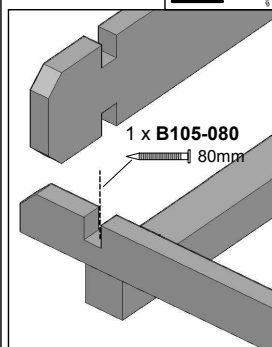
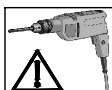
② - f.ex. pavement-flag



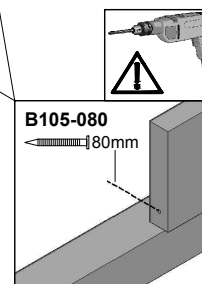
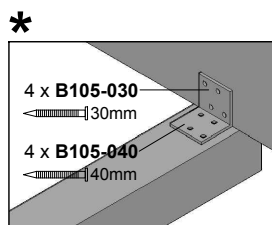
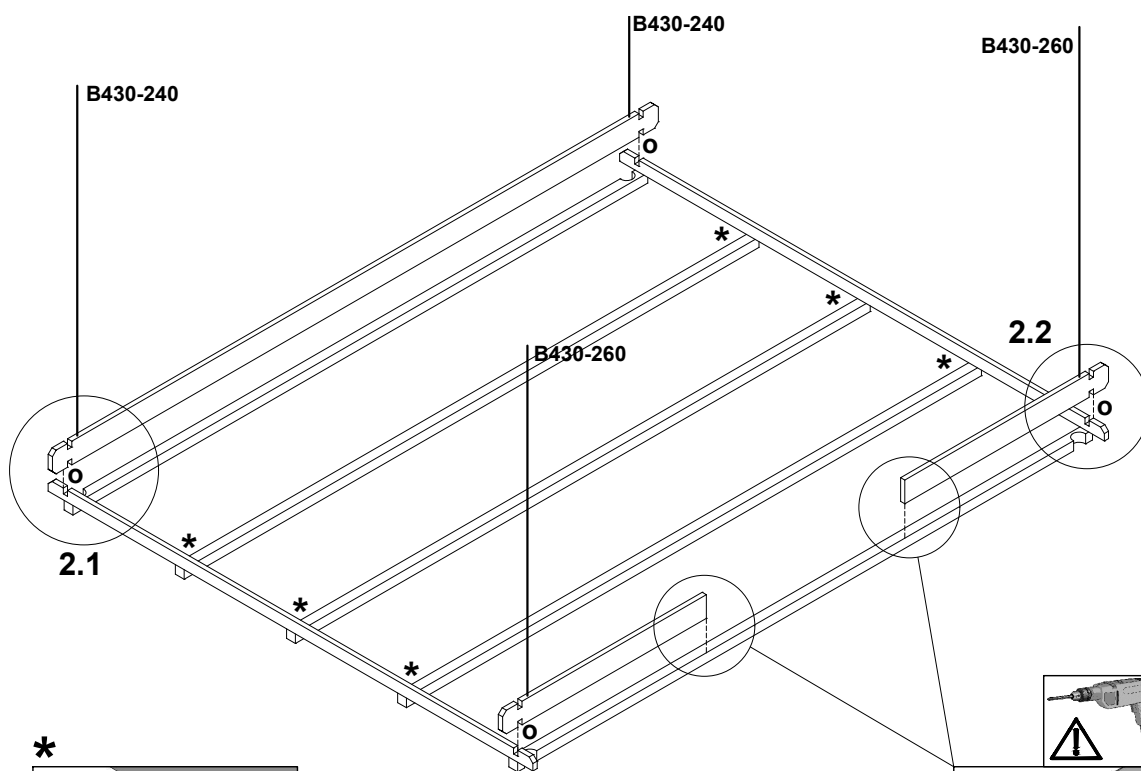
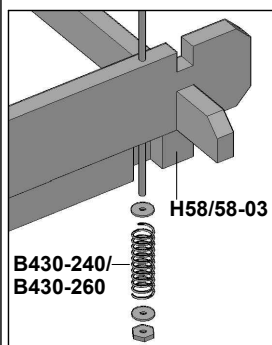
2

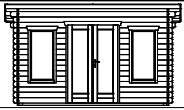


2.1 o



2.2



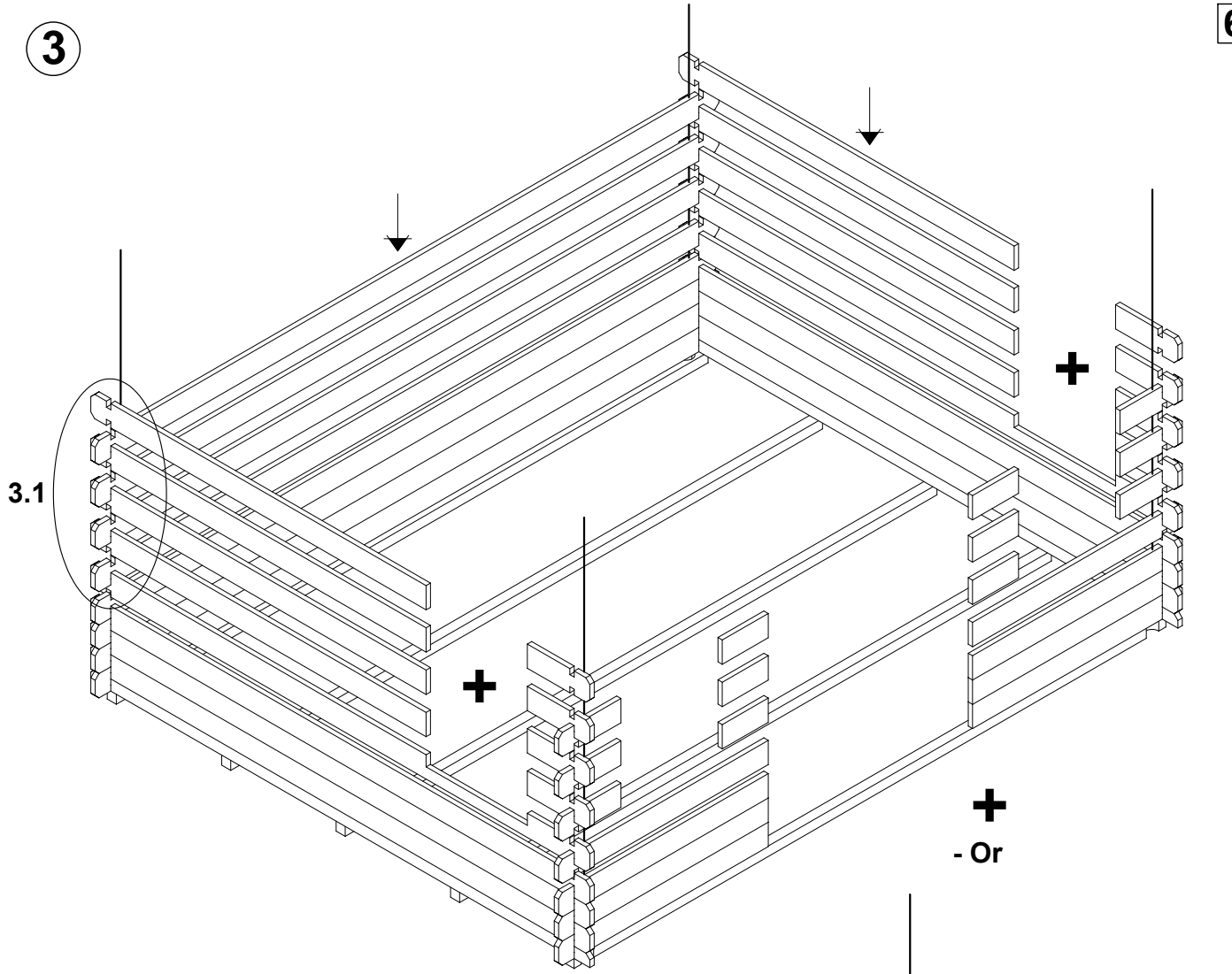


380 x 300cm

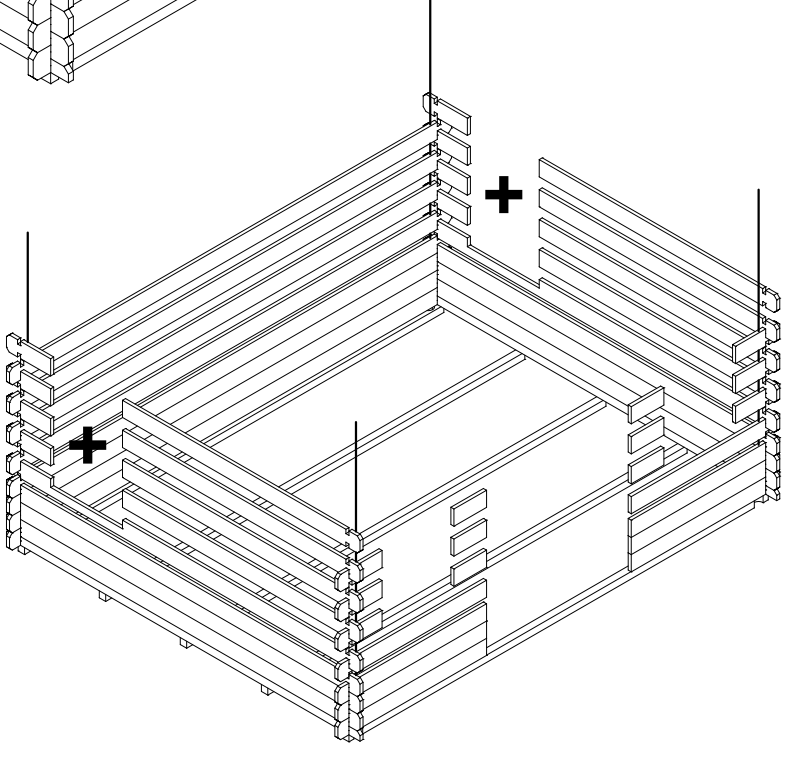
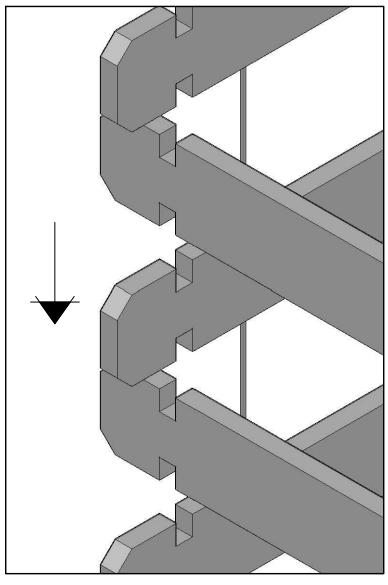
760398

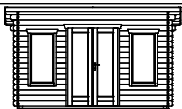
3

6



3.1



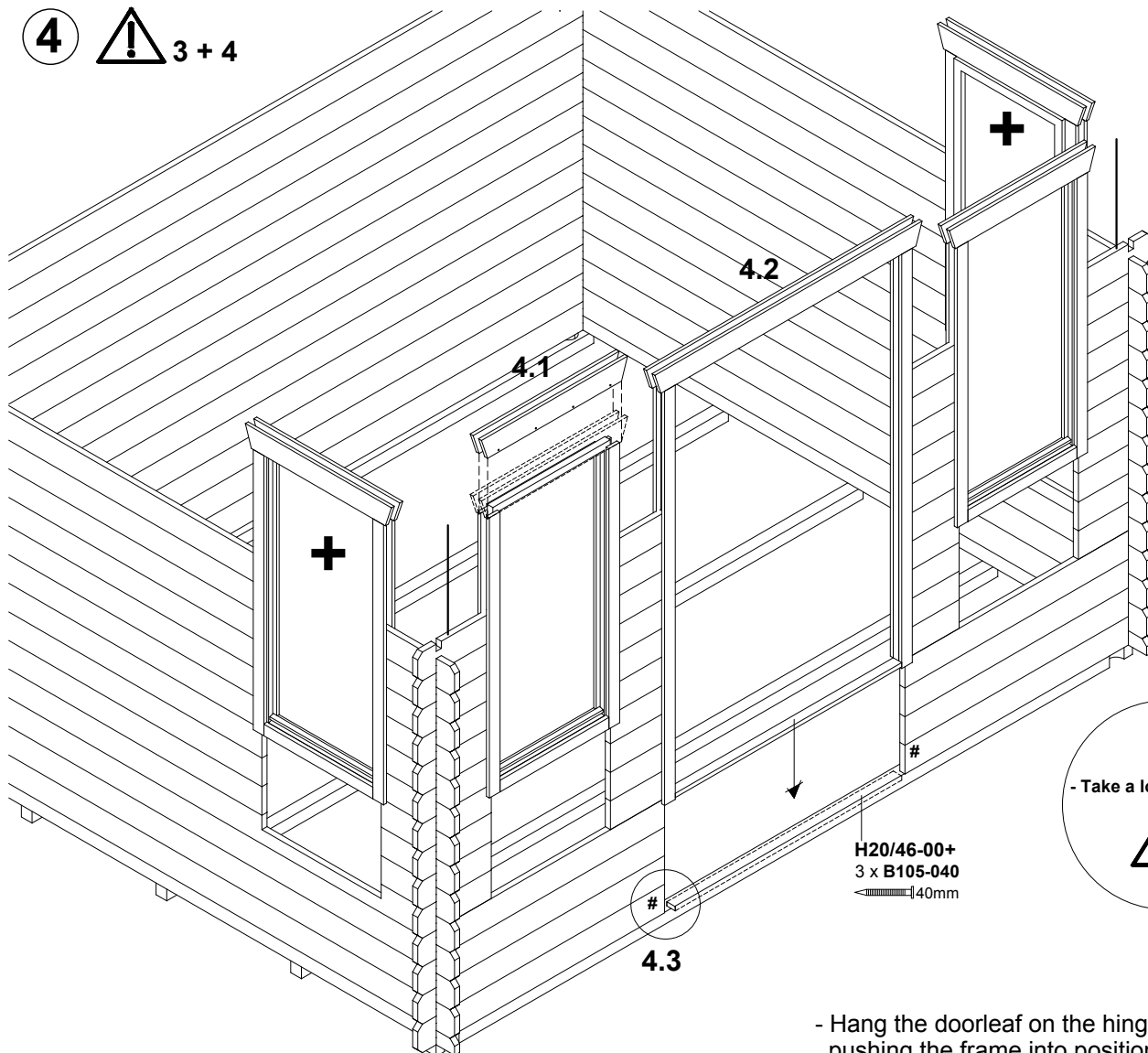


380 x 300cm

760398

7

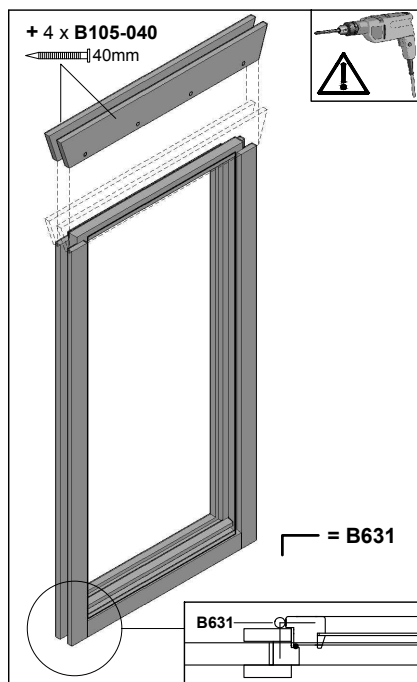
4 3 + 4



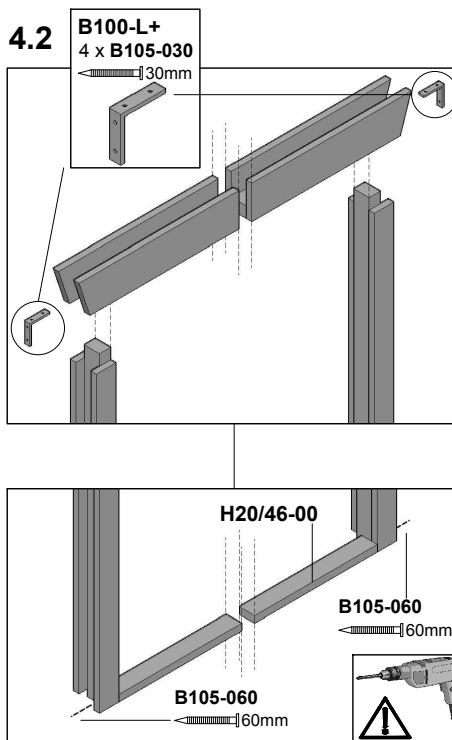
H20/46-00+  
3 x B105-040  
40mm

- Hang the doorleaf on the hinges **after** pushing the frame into position!

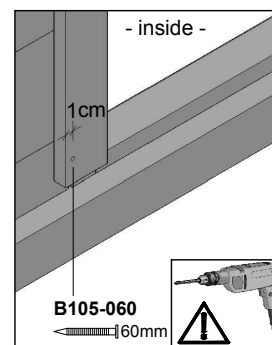
4.1

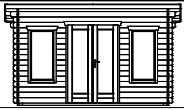


4.2



4.3 #



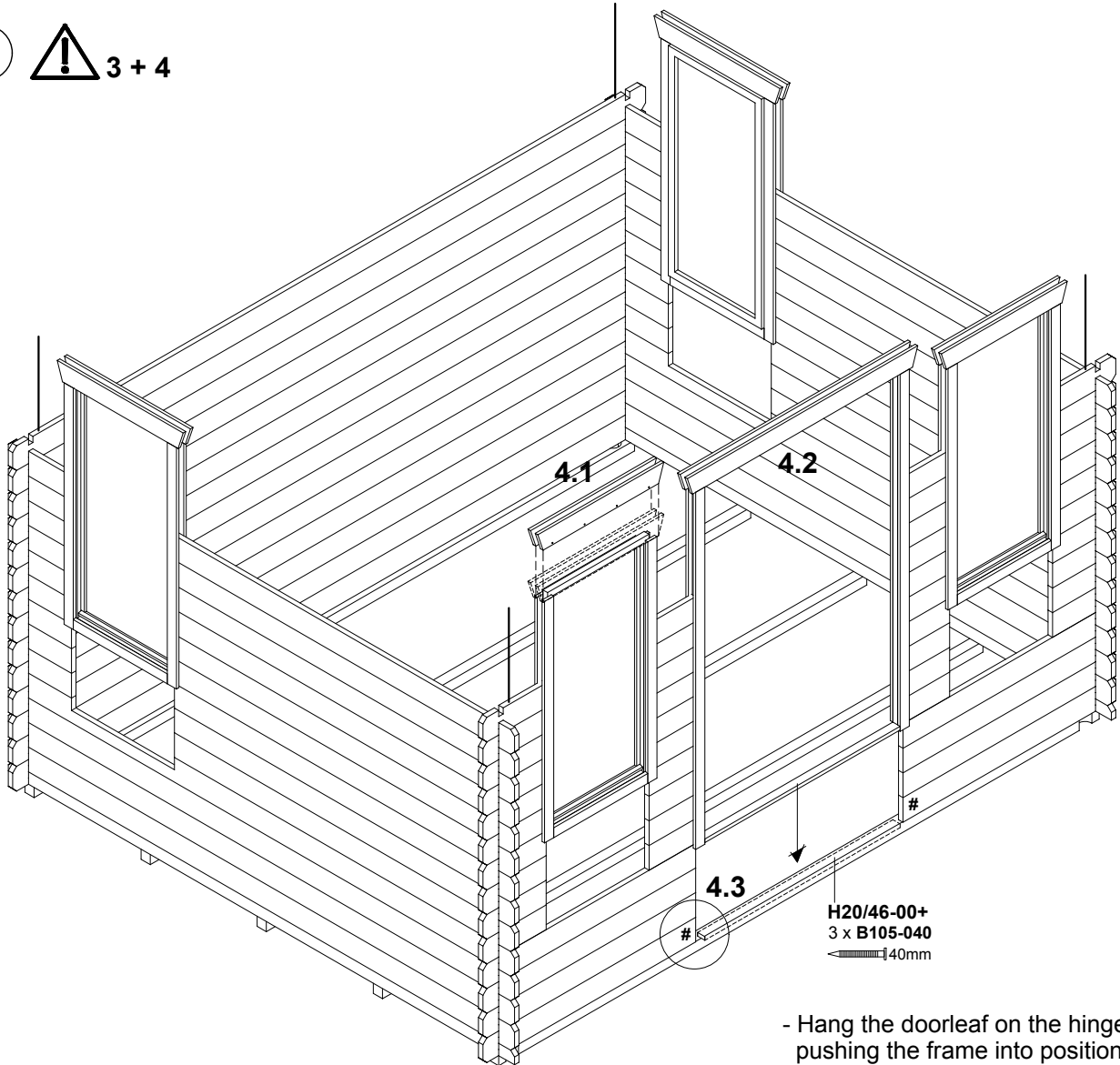


380 x 300cm

760398

4 3 + 4

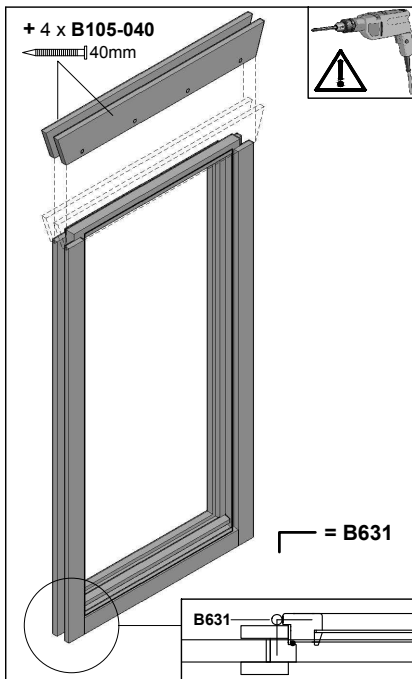
7a



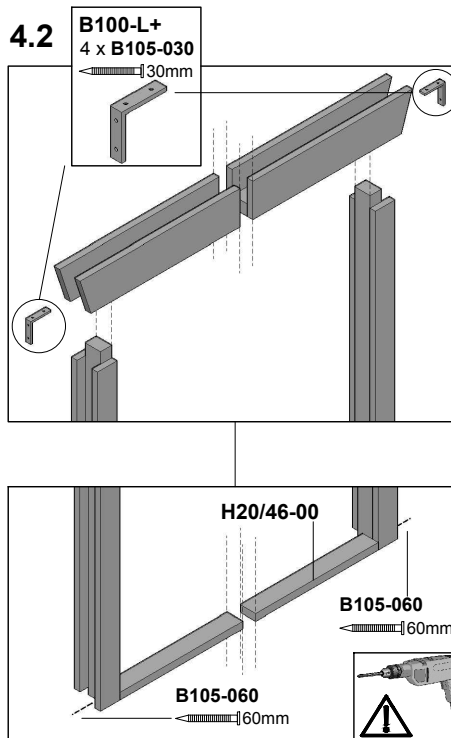
H20/46-00+  
3 x B105-040  
40mm

- Hang the doorleaf on the hinges **after** pushing the frame into position!

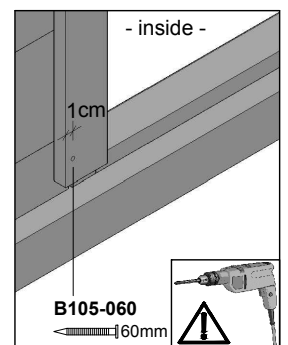
4.1



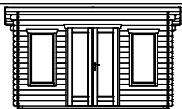
4.2



4.3 #



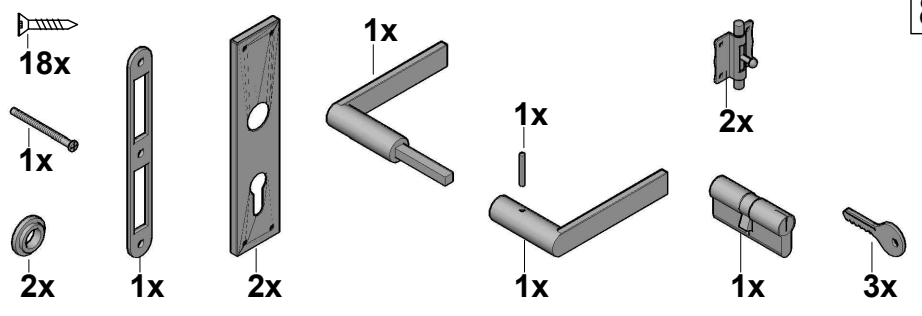
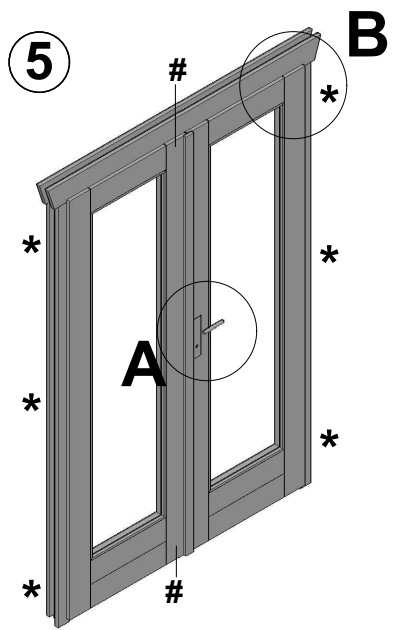




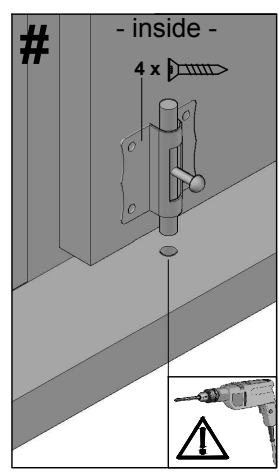
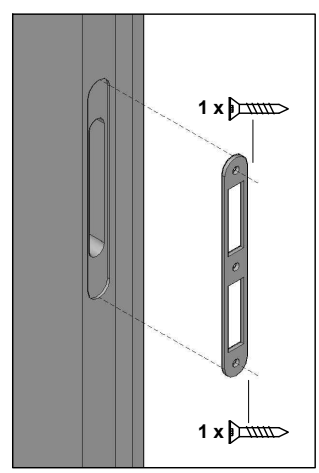
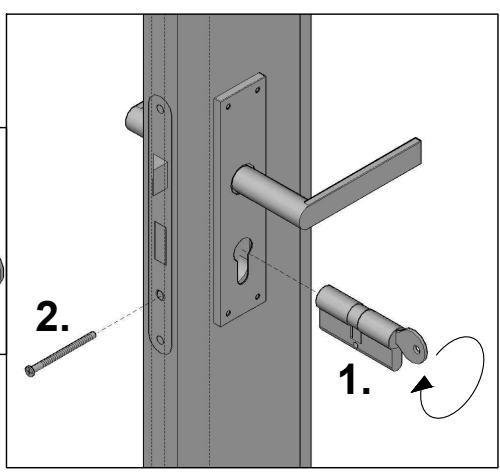
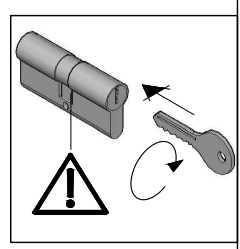
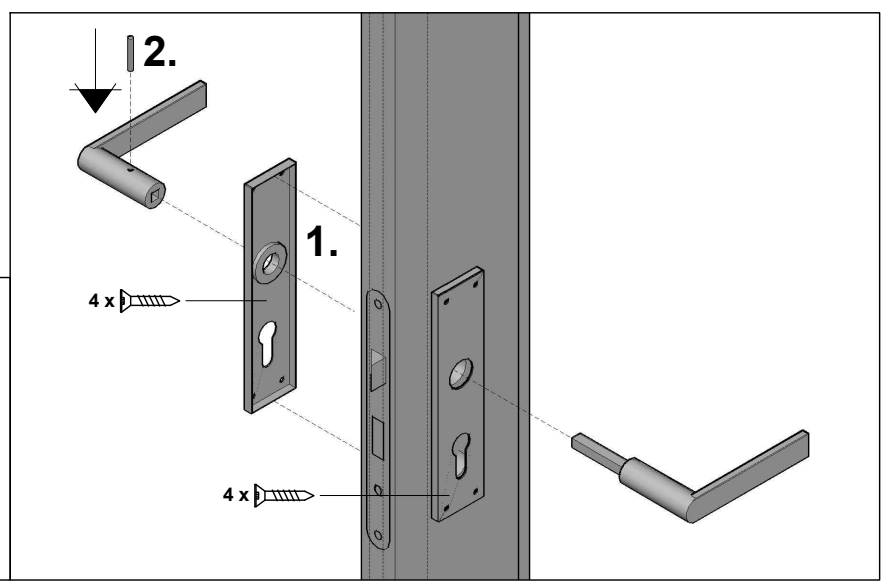
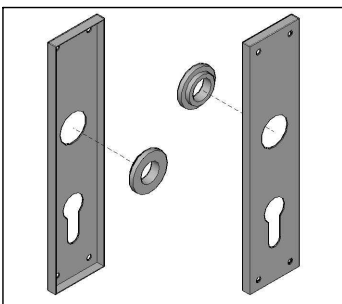
380 x 300cm

760398

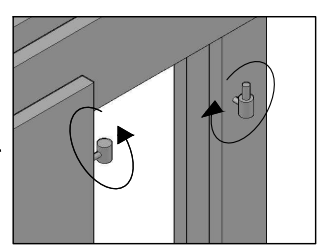
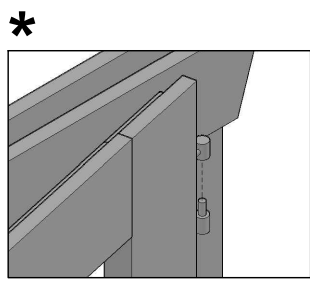
8

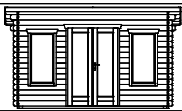


**A**



**B**



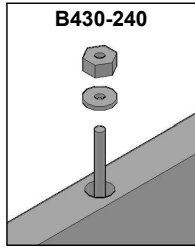


380 x 300cm

760398

9

6



6.1 \*

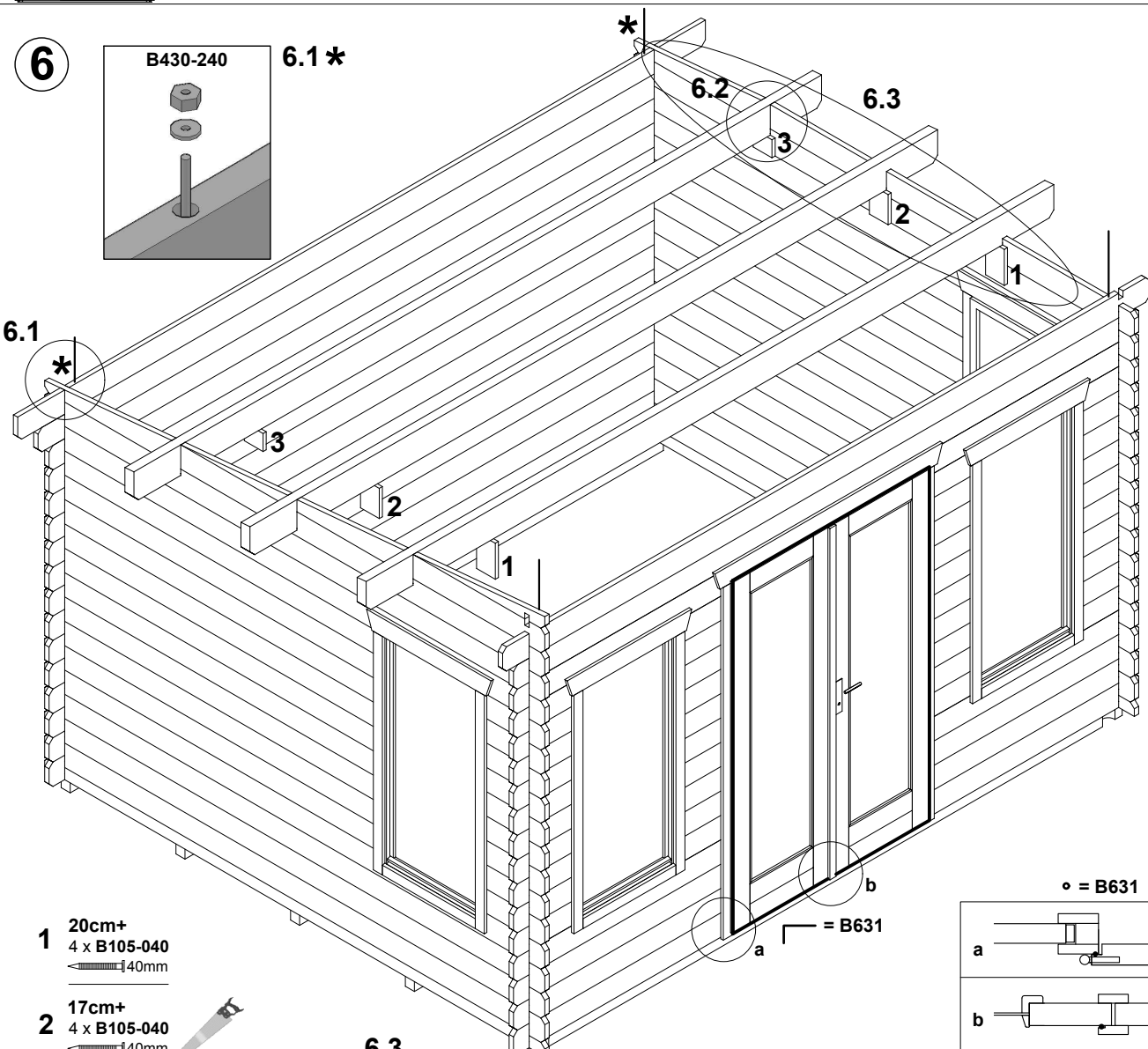
6.1



\*

6.2

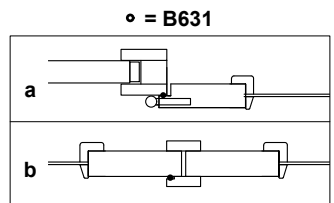
6.3



1 20cm+  
4 x B105-040  
40mm

2 17cm+  
4 x B105-040  
40mm

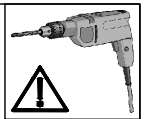
3 10cm+  
2 x B105-040  
40mm



o = B631

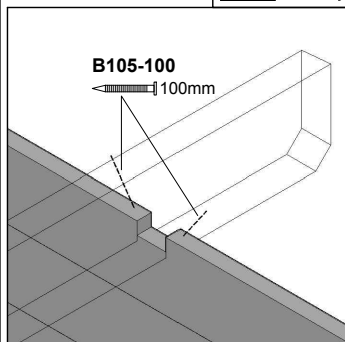
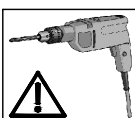
6.3

2.

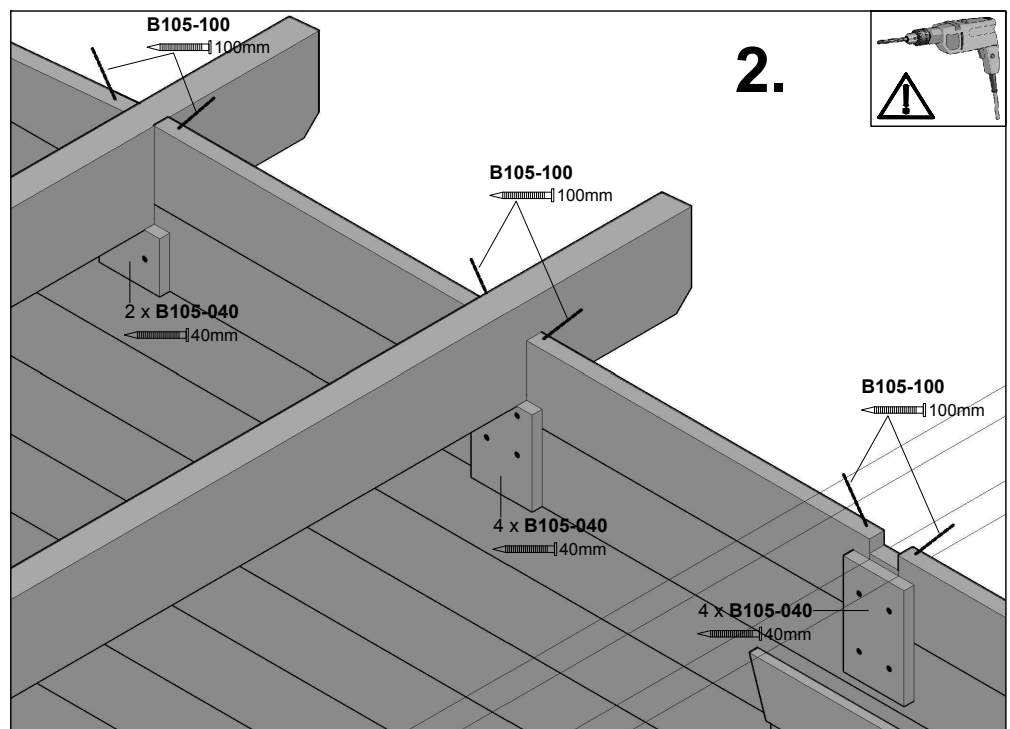


6.2

1.



B105-100  
100mm



B105-100  
100mm

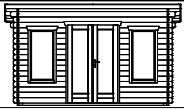
2 x B105-040  
40mm

B105-100  
100mm

4 x B105-040  
40mm

B105-100  
100mm

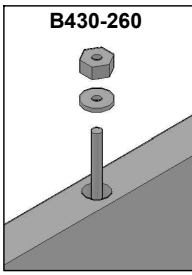
4 x B105-040  
40mm



380 x 300cm

760398

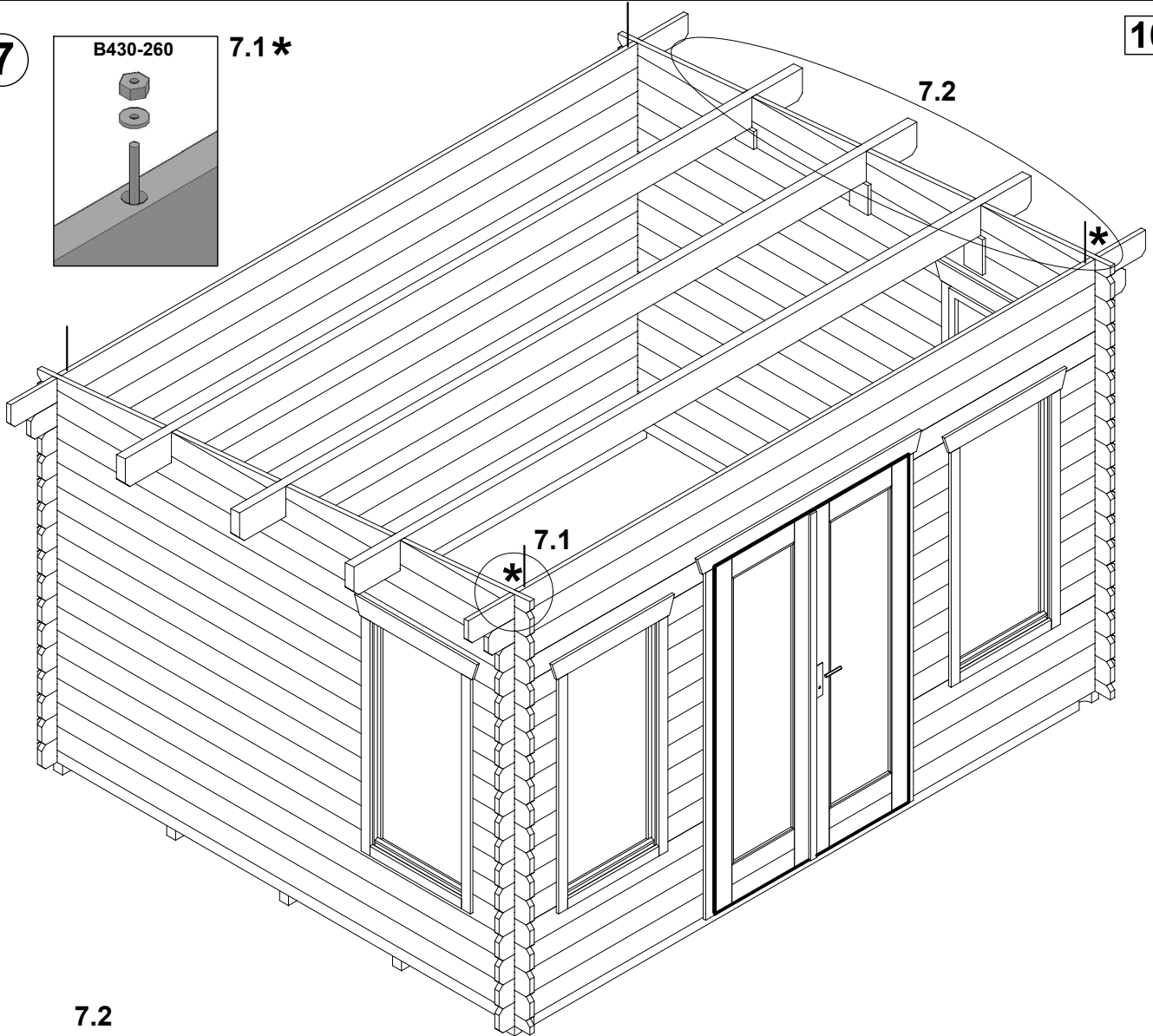
7



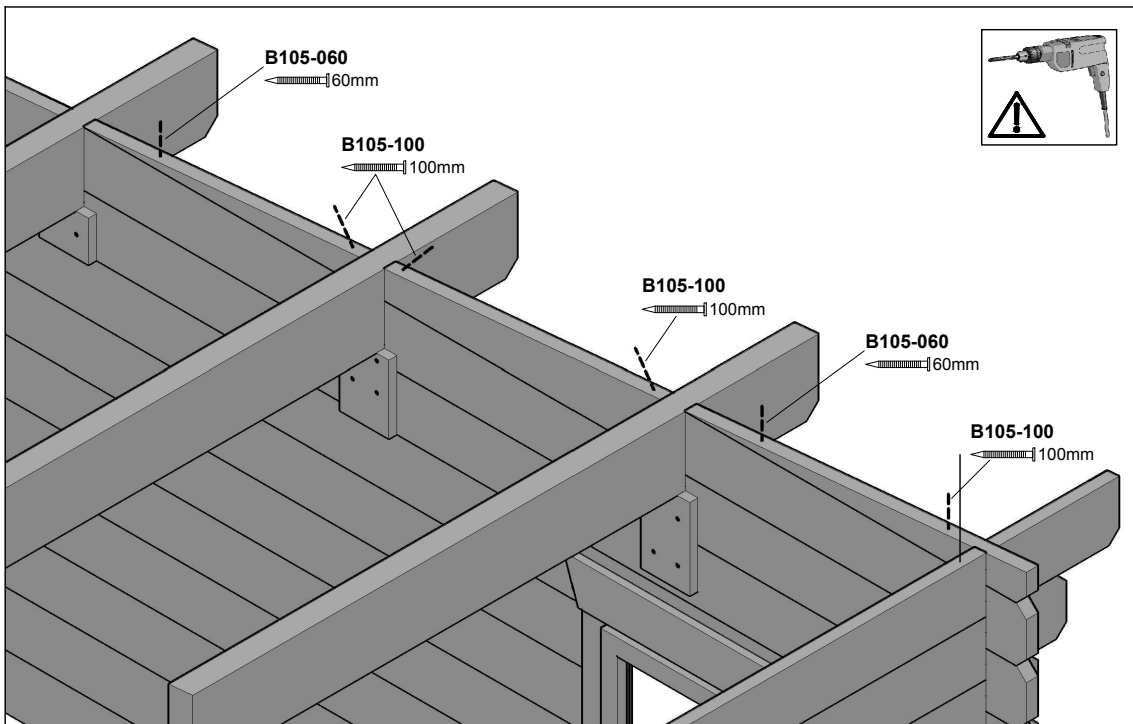
B430-260

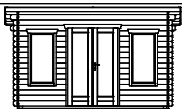
7.1 \*

10



7.2



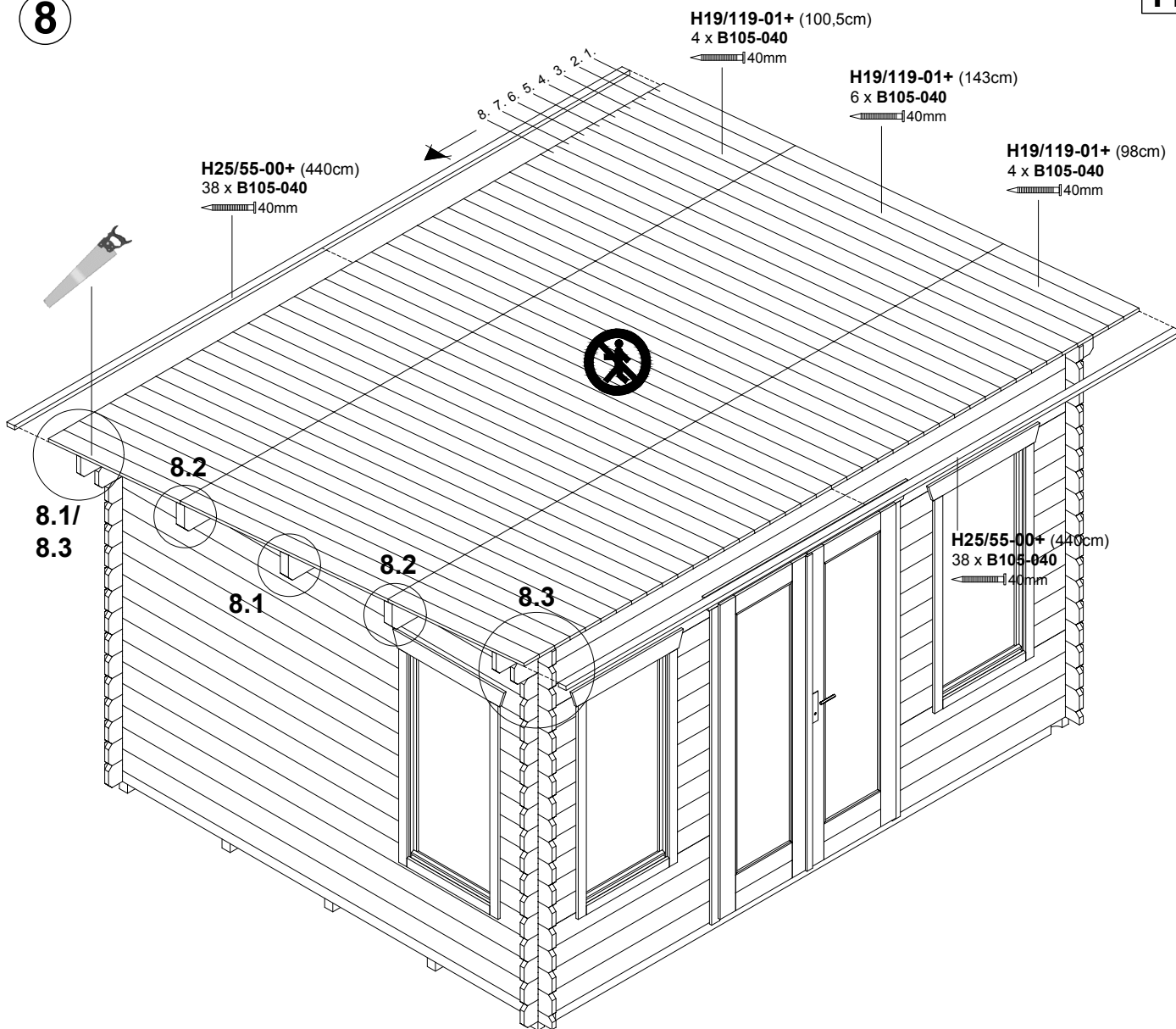


380 x 300cm

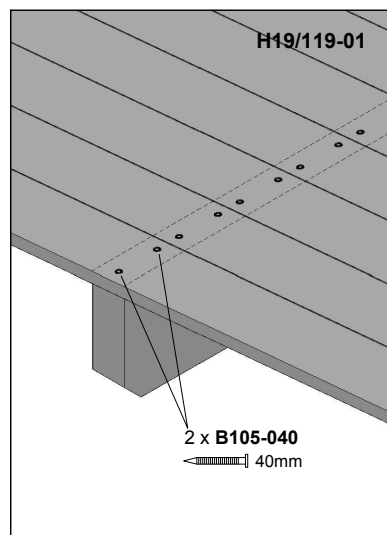
760398

11

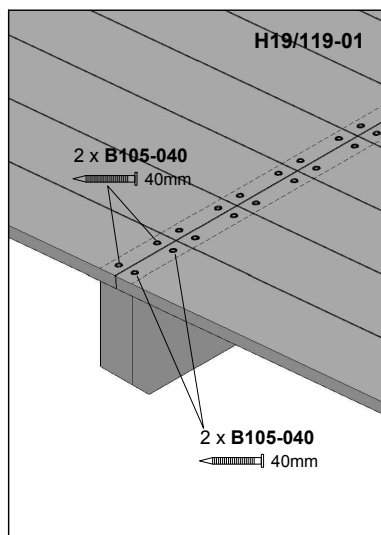
8



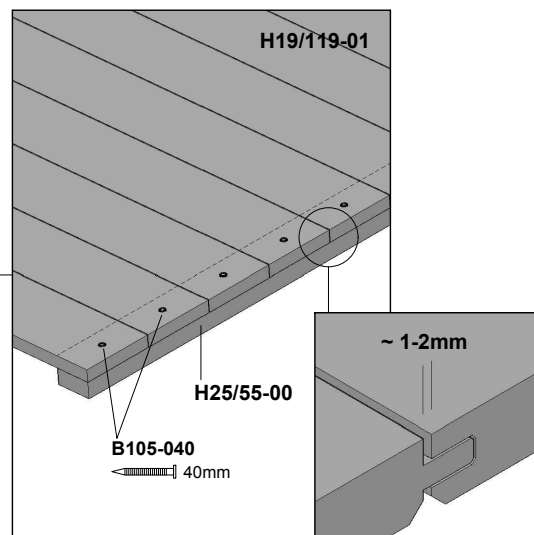
8.1

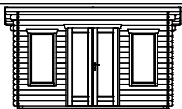


8.2



8.3





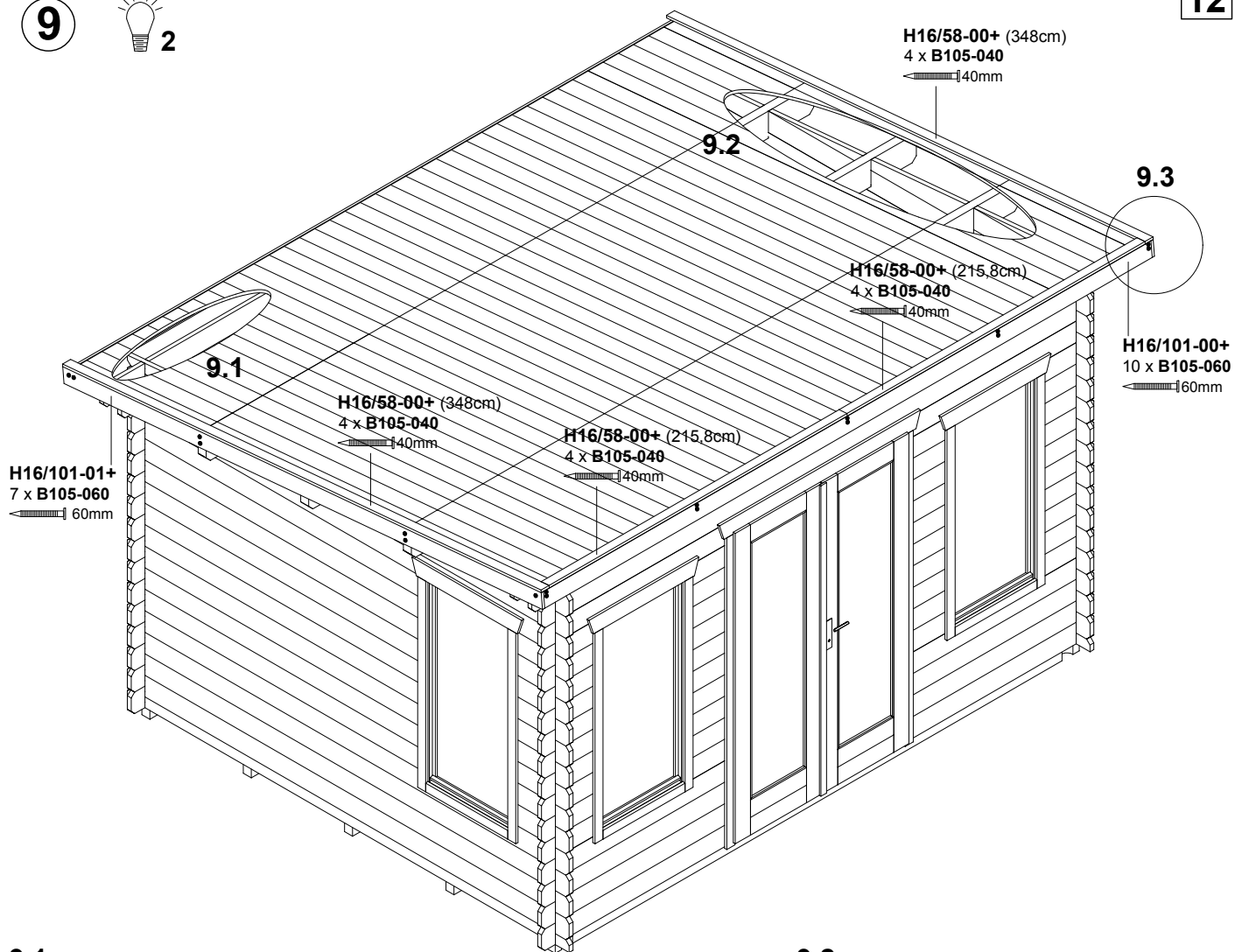
380 x 300cm

760398

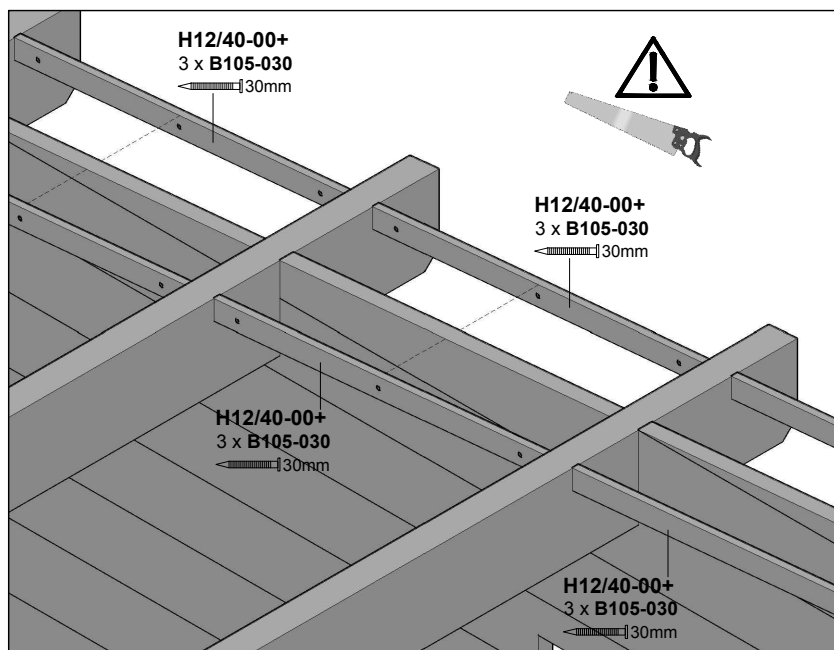
9



12

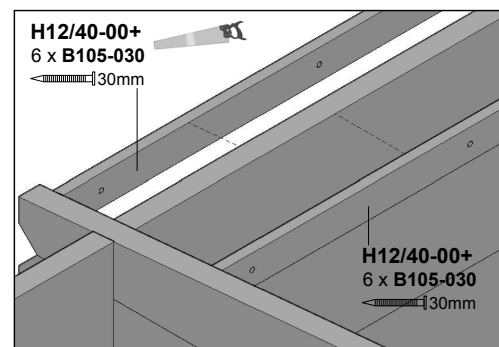


9.1

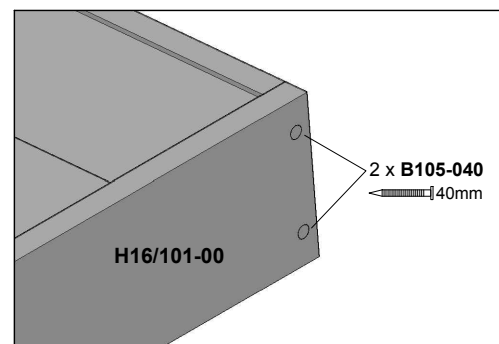


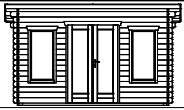
- In all gables from inside and outside!

9.2



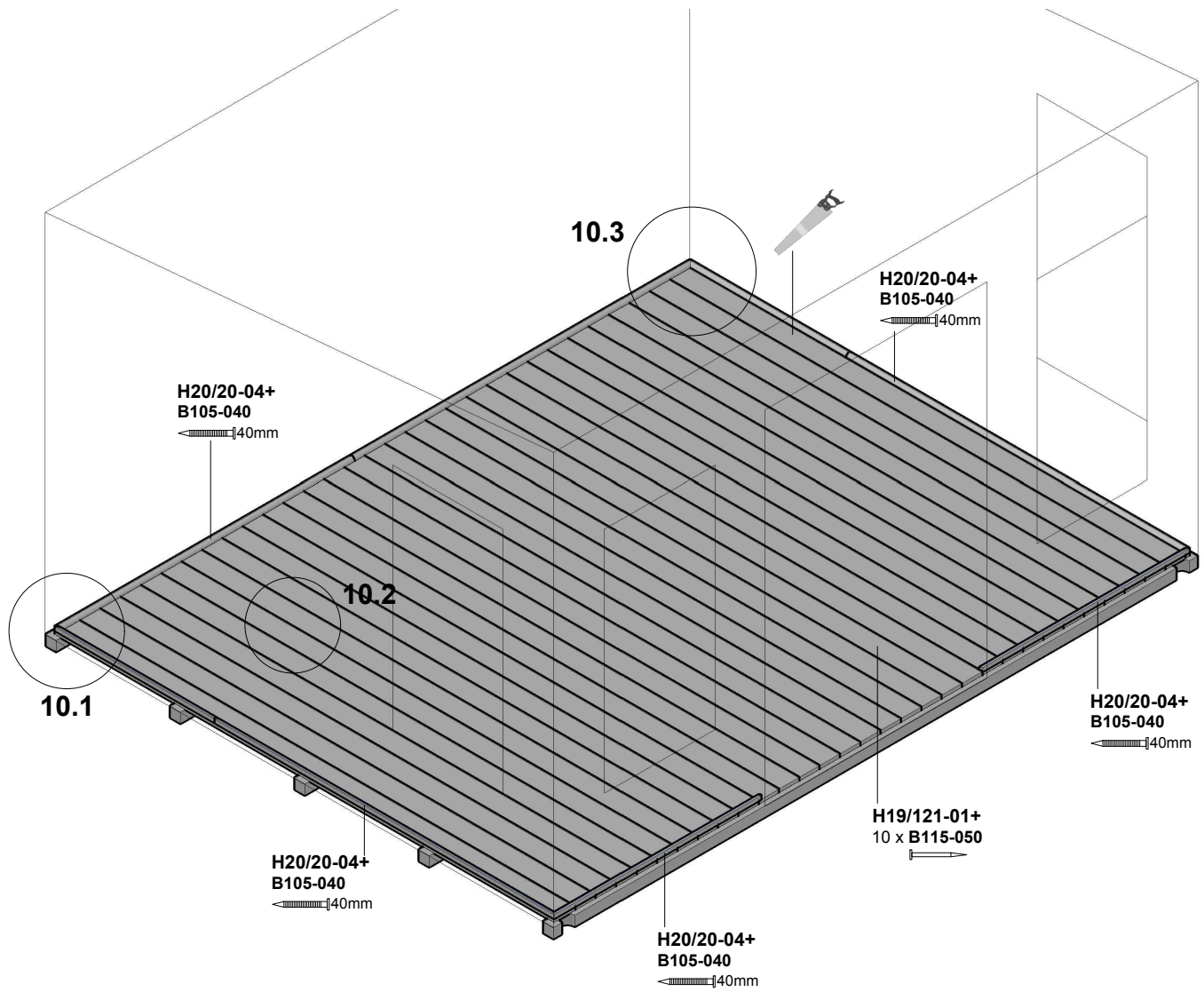
9.3



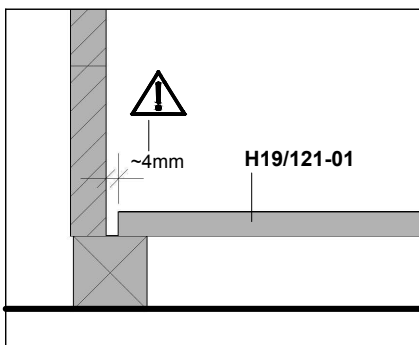


10

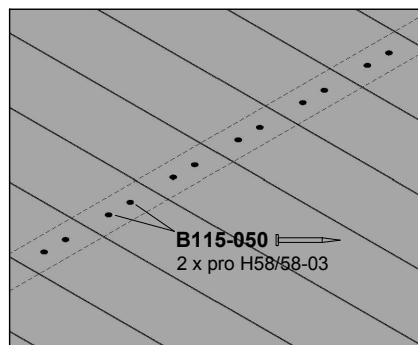
13



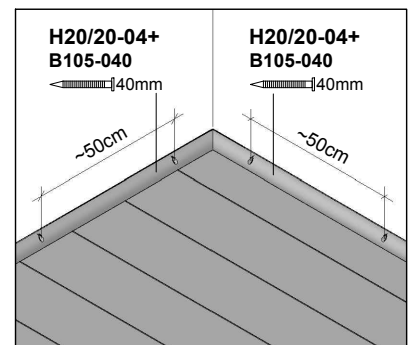
10.1



10.2



10.3





## Instructions for maintenance/colour treatment

### Care instructions for articles made of:

#### - **Solid structural timber, softwood and laminated wood, untreated**

The wooden parts of the kit are untreated, so a regular protective coating is absolutely essential.

##### Recommendation:

An initial coat on all sides with a wood primer (protection against fungi and insects), and then one coat each of intermediate and top coat with a high-quality wood-preserving varnish (colour tones, UV protection, protection against weathering).

The following applies to wood panel cabins:

The initial and intermediate coats must be applied prior to assembly. Please ensure that the wood panels have dried prior to construction. The top coat is applied after construction.

**Regular varnishing is necessary to maintain the wood. Make sure the products are given good UV protection and that the working guidelines of the varnish manufacturer are observed.**

#### - **Douglas fir, untreated**

If kits are constructed from Douglas fir without additional chemical impregnation, the material requires no further care apart from regular cleaning with water of the patina that forms.

##### Recommendation:

If the wood stain is to be fixed, we recommend an initial coat on all sides with a wood primer (protection against fungi and insects), and then one coat each of intermediate and top coat with a high-quality wood preserving varnish (colour tones, UV protection, protection against weathering).

Regular varnishing is necessary to maintain the wood. Make sure the products are given good UV protection and that the working guidelines of the varnish manufacturer are observed.

#### - **Softwood, impregnated**

The wood has already received an initial immersion treatment with a water-based impregnation.

This protects the wood against fungal and insect infestation.

##### Recommendation:

The surface should be treated again after 2–3 sunny months at the earliest and should feel dry. Clean the surface before treating. We then recommend one coat each of intermediate and top coat with a high-quality wood preserving varnish.

Regular varnishing is necessary to maintain the wood.

Make sure the products are given good UV protection and that the working guidelines of the varnish manufacturer are observed.

### Special care instructions for colour-treated products

The colour-treated parts of our kits are treated with high-quality varnish.

In the area where it is applied this has the following properties:

- protection against blue stain fungi
- protection against damage caused by UV radiation
- no flaking
- reduces swelling and shrinking
- lets the wood grain shine through
- thin layer

### Information on construction:

- Each colour-treated kit comes with a container of varnish for repairs. Please stir thoroughly before use.
- Untreated cut edges must be treated twice with this varnish prior to assembling the building element.
- All screw holes or other damage to the wood surface of colour-treated parts caused by assembly must also be treated at least twice with varnish during construction.
- On site, the surface can be further refined by sanding it again with fine-grained sandpaper and giving it another coat of paint.

### The following also applies in particular to colour-treated houses:

- In the kit, the wall panels, as well as the door and windows on the exterior, have been colour-treated on one side
- All parts of the kit that are untreated and mounted on the outside (e.g. exterior overhanging soffits or purlins, as well as the inside of the door and windows) are unprotected and need to be subsequently treated on site with primer and at least once with varnish. Once again, follow the instructions of the varnish manufacturer.

### Maintenance:

- The wood surface has to be examined at regular intervals for damage (at least once a year). Any damage or drying cracks that have appeared must be repaired immediately.
- Painting/varnishing needs to be undertaken as a long-term care measure to protect the surface. The required frequency depends on the location and the conditions the surface is exposed to and must commence before damage becomes visible.

**Please note that the printed colour samples are not binding.**

**Variations in colour are possible.**

**Storage marks on building components that are colour-treated on all sides are due to technical reasons.**