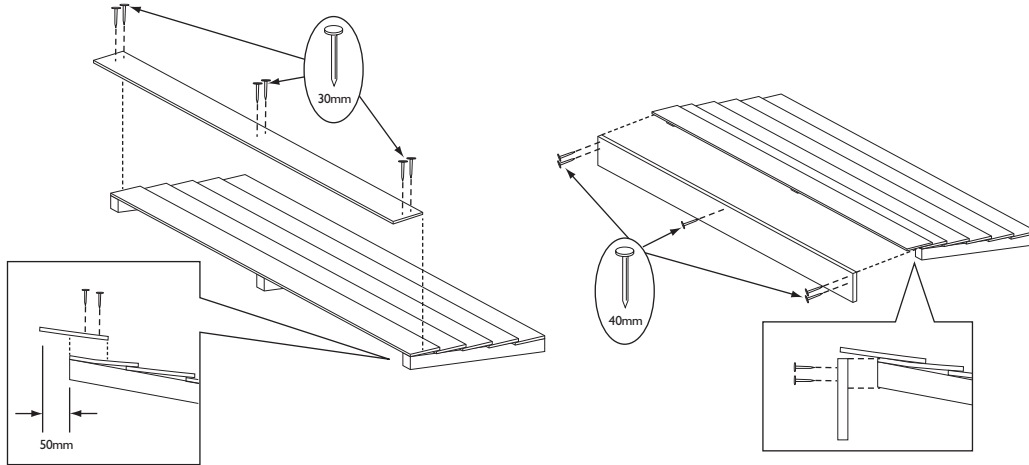


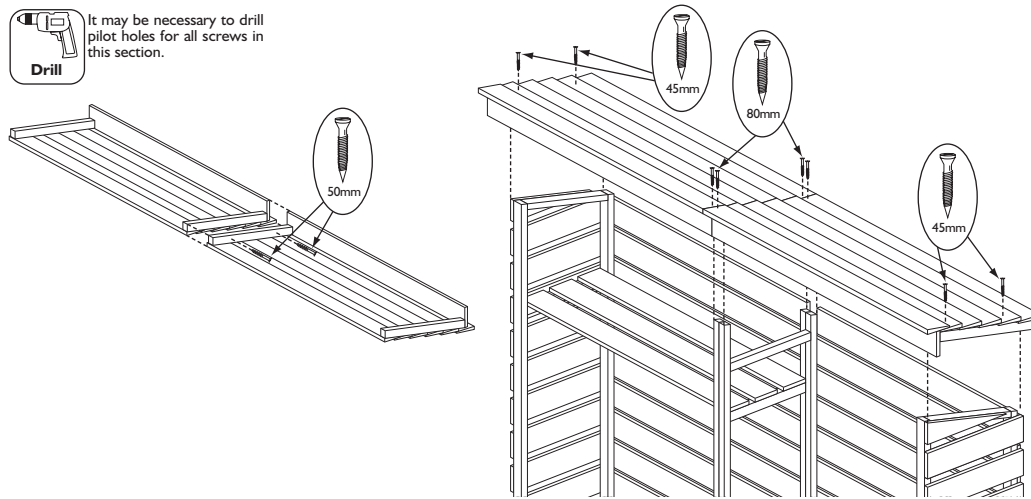
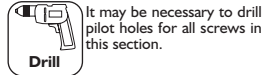
5 . Roof panels

To each roof panel, position a roof top board so that it overhangs the front edge by 50mm. Secure in place using 6 x 30mm nails. Position the front fascia board underneath the top board and secure to the roof framing. At each end use 2 x 40mm nails. In the middle use only 1 x 40mm nail.



6 . Roof

With the roof panels upside down, secure them together using 2 x 50mm screws. Once secured turn up the right way. Place the roof onto the main assembly and attach to each side panel by screwing 2 x 45mm screws down through the roof into the top frames of the side panels. In the middle of the roof, screw 4 x 80mm screws through the roof into the centre panel.



Information

If in doubt of any aspect regarding the assembly, use or safety of your log store, please contact us:

Help Line (Normal Office Hours) 01829 261 121

Email: support@rowgar.co.uk

ROWLINSON GARDEN PRODUCTS LIMITED
Green Lane
Wardle Nr. Nantwich
Cheshire
CW5 6BN
www.rowgar.co.uk

We constantly improve the quality of our products, occasionally the components may differ from the components shown and are only correct at time of printing. We reserve the right to change the specification of our products without prior notice.

2022 © Rowlinson Garden Products Ltd

ROWLINSON®
GARDEN PRODUCTS

Large Log Store

English SS269E

Assembly Instructions

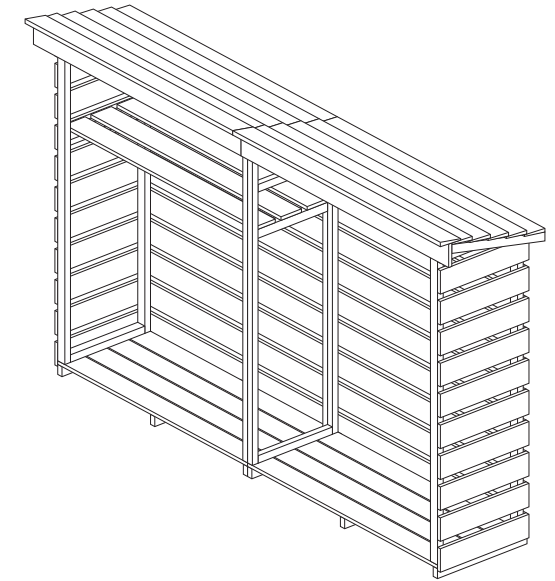
Before assembly

- We recommend that time is taken to read the instructions before starting assembly, then follow the easy step by step guide. The instruction sheet is only a guide to the assembly. Certain items may not be shown to scale.
- Check all components prior to assembly
- This product should be assembled by no less than two people
- Drill all components where indicated

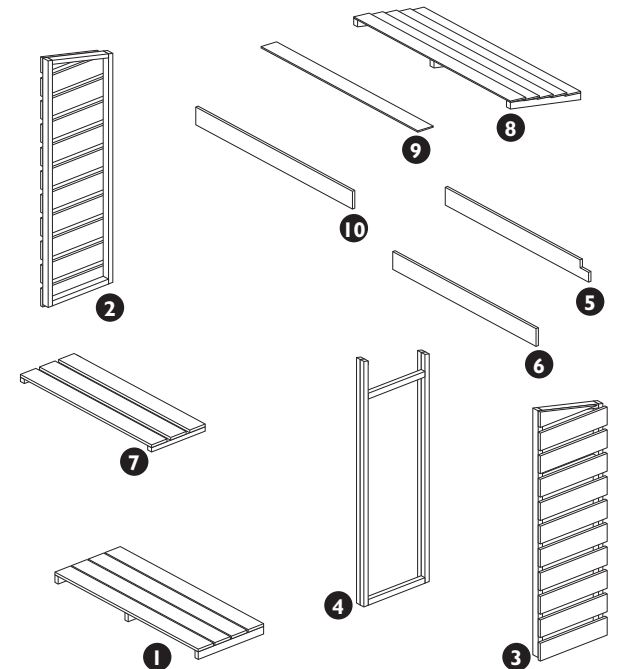


Recommended tools for assembly

- Power drill/screwdriver
- 3mm drill bit
- Cross head screwdriver bit
- Tape measure
- Hammer
- Spirit level
- Sharp knife



No.	Components	Qty.
1	Floor	2
2	Left side panel	1
3	Right side panel	1
4	Centre panel	1
5	Back slat notched	2
6	Back slat	18
7	Shelf	1
8	Roof panel	2
9	Roof top board	2
10	Roof fascia	2



No.	Fixing Kit	Qty.
11	80mm screws	4
12	63mm screws	4
13	50mm screws	10
14	45mm screws	4
15	40mm nails	96
16	30mm nails	12

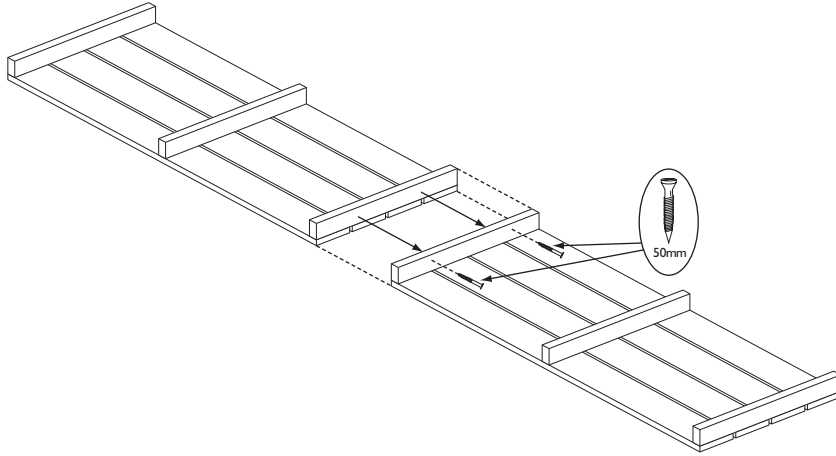
1. Floor assembly

Place the floor panels upside down, secure them together using 2 x 50mm screws. Once secured turn up the right way.



Drill

It may be necessary to drill pilot holes for the screws in this section.



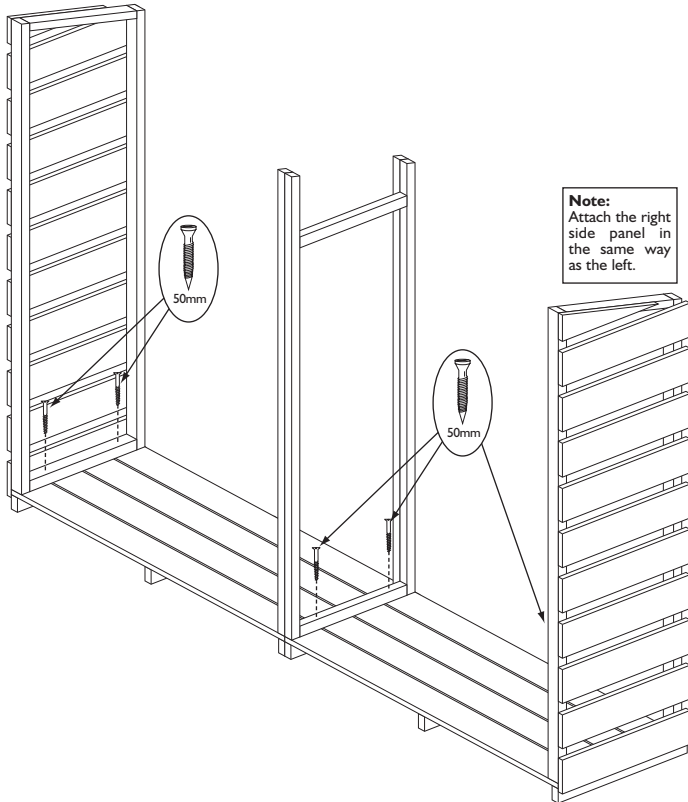
2. Wall panels

Position the left, right and centre panels as shown. Secure each one in place using 2 x 50mm screws per panel. Screw through the bottom frames of the panels in to the floor.



Drill

It may be necessary to drill pilot holes for the screws in this section.



Note:
Attach the right side panel in the same way as the left.

3. Shelf

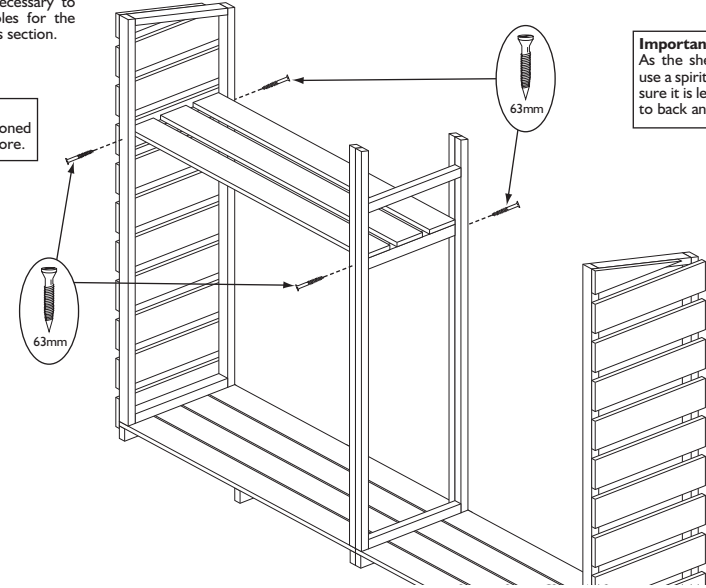
Position the shelf at the desired height between the side and centre panels. Secure in place using 4 x 63mm screws. Screw through the panel frame in to the ends of the shelf frames as show below.



Drill

It may be necessary to drill pilot holes for the screws in this section.

Note:
The shelf can be positioned in either side of the store.



Important note:
As the shelf is attached use a spirit level to make sure it is level from front to back and side to side.

4. Back slats

Secure the back slats to the back of the log store. Ensure the two slats with notches are at the top. Align each slat with the slats on the side panels and secure in place using 2 x 40mm nails at each end of each slat. Nail the bottom slats to the floor using an additional 3 x 40mm nails per slat.

Important note:
Align the two notched slats with the rear upright of the centre panel.

Important note:
The side panels slope down to the back of the log store.

