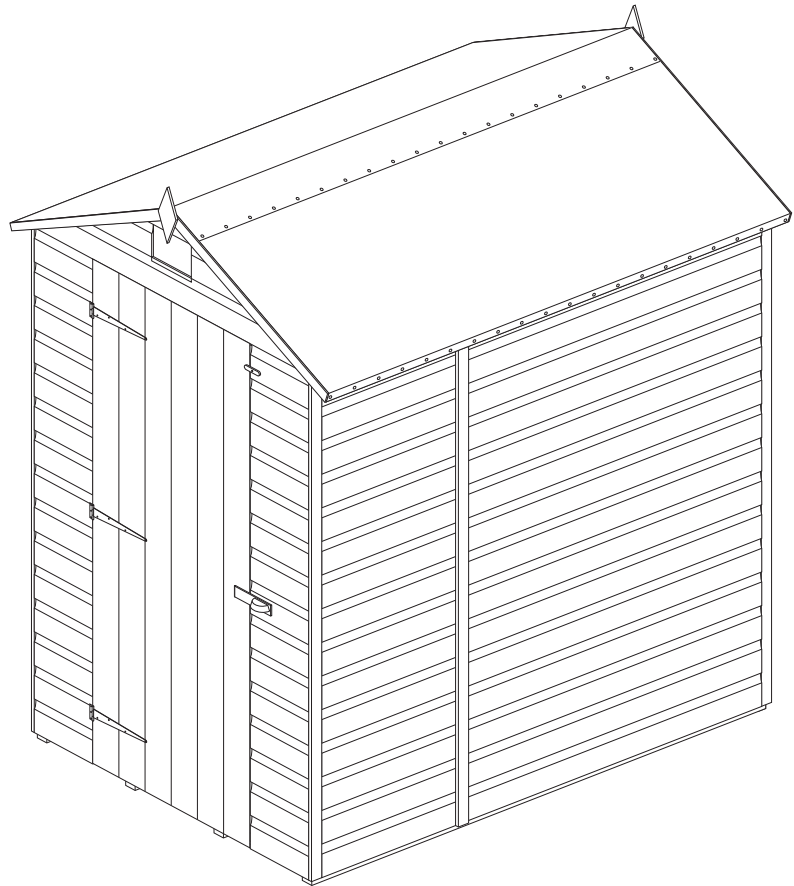


**Before assembly**

- We recommend that time is taken to read the instructions before starting assembly, then follow the easy step by step guide. The instruction sheet is only a guide to the assembly. Certain items may not be shown to scale.
- Check all components prior to assembly
- This product should be assembled by no less than two people.
- Never attempt to erect the assembly in high winds.
- Drill components where indicated.

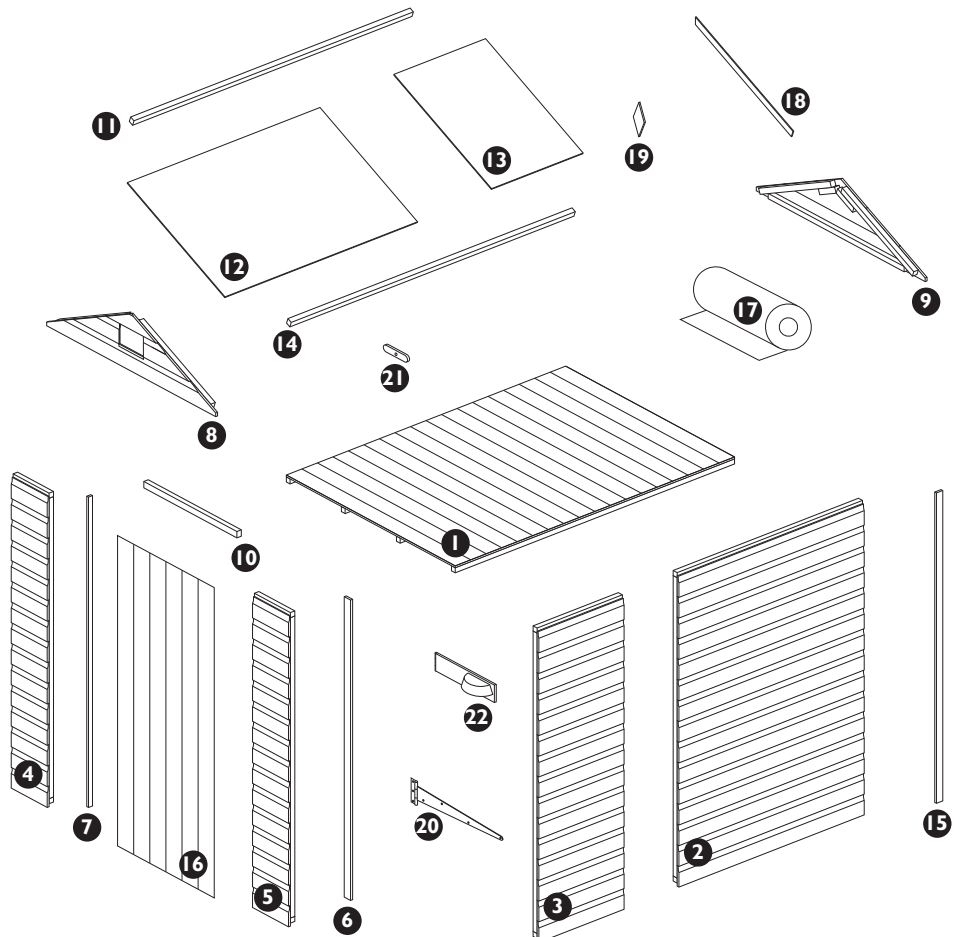

**Recommended tools for assembly**

- Cross head screw driver
- Hammer
- Sharp knife
- Drill
- 3mm diameter drill bit
- 6mm diameter drill bit
- Spirit level
- Step ladder



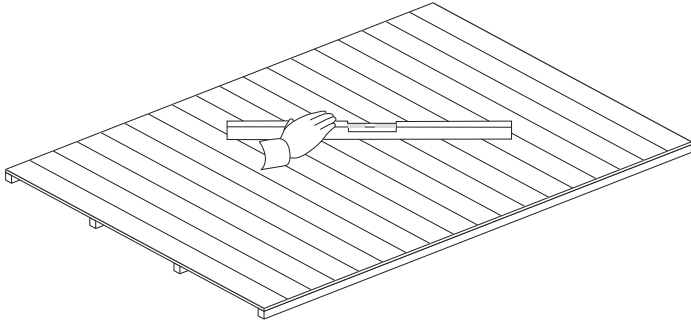
No.	Components	Qty.
1	Floor	1
2	Large plain panel	3
3	Small plain panel	2
4	Front panel (Door hinge side)	1
5	Front panel (Padlock protector support rail)	1
6	Door rebate strip (12 x 40 x 1685mm)	1
7	Door rebate strip (12 x 28 x 1685mm)	1
8	Front apex panel (with window)	1
9	Rear apex panel	1
10	Door header rail (28 x 28 x 674mm)	1
11	Roof purlin (28 x 28 x 1770mm)	2
12	Large roof panel	2
13	Small roof panel	2
14	Felt batten (28 x 28 x 1800mm)	2
15	Coverstrips (12 x 40 x 1710mm)	6
16	Door	1
17	Roof felt (4m)	1
18	Bargeboards	4

No.	Fixing Kit	Qty.
19	Finials	2
20	T-hinges	3
21	Turn button	1
22	Padlock protector kit	1
23	65mm coach bolts	2
24	50mm coach bolts	6
25	6mm washer	8
26	6mm nut	8
27	63mm screws	10
28	50mm screws	28
29	38mm screws	24
30	32mm security screws	21
31	25mm screws	11
32	30mm nails	54
33	10mm felt nails	80



## 1. Laying the floor section

Prepare a firm level area for the shed to sit. Position the floor and ensure level



### Important note

To "VALIDATE" the guarantee, adequate provision must be made to ensure ground contact is avoided and air is able to circulate underneath the building.

Placing the building on a concrete pad or slab base is acceptable provided that the building is not allowed to sit in pooled water during wet conditions.

If the building is to sit on soil or grass it **MUST** be erected on pressure treated wooden 50mm x 50mm or similar bearers (**These are not supplied in the kit**).

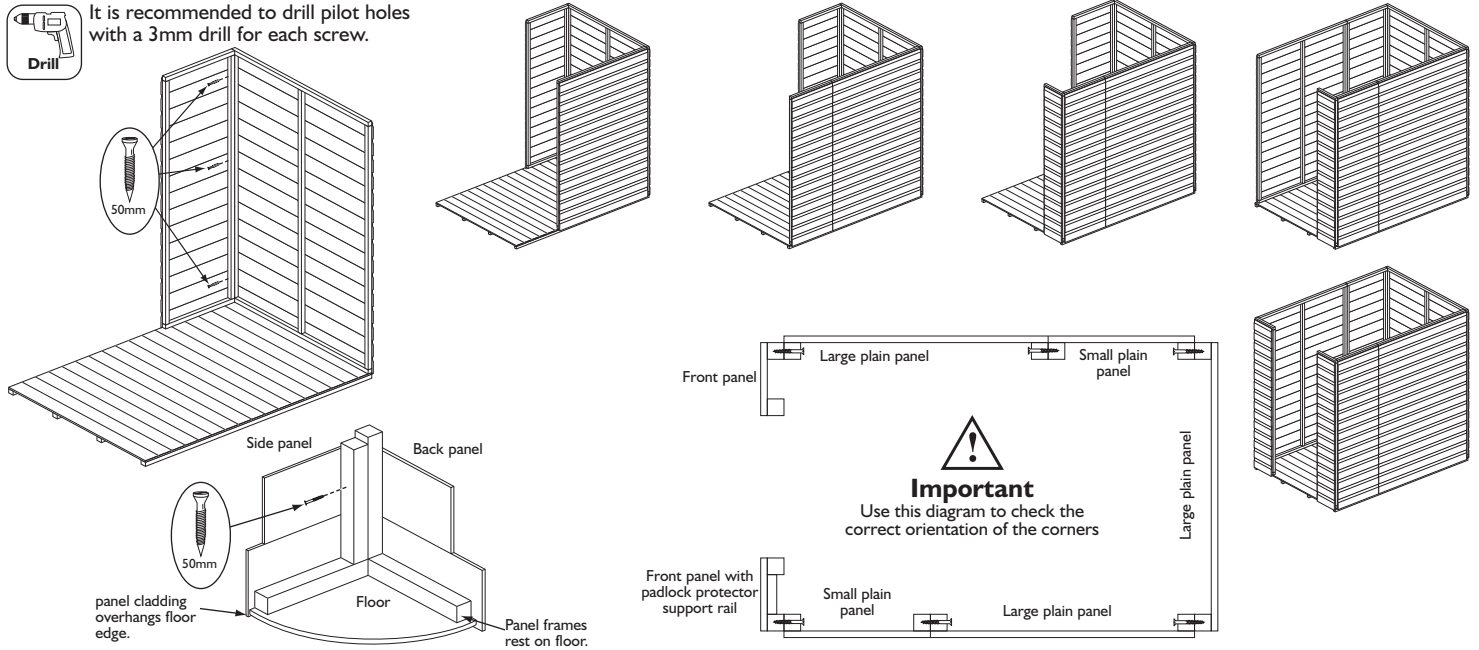
Rowlinson Garden Products recommend using pressure treated bearers with all buildings on any type of base.

## 2. Wall panels

Position a large panel and small panel as shown. Note how the panel frames sit on the floor with the panel cladding overhanging the floor edge. Ensure square and secure using 3 x 50mm screws, screw through the frame of the small panel, into the frame of the large panel. Continue to add panels as shown below securing each one with 3 x 50mm screws. It is important to note the front right panel must be the panel with the padlock protector support rail pre-attached on the inside of it.



It is recommended to drill pilot holes with a 3mm drill for each screw.

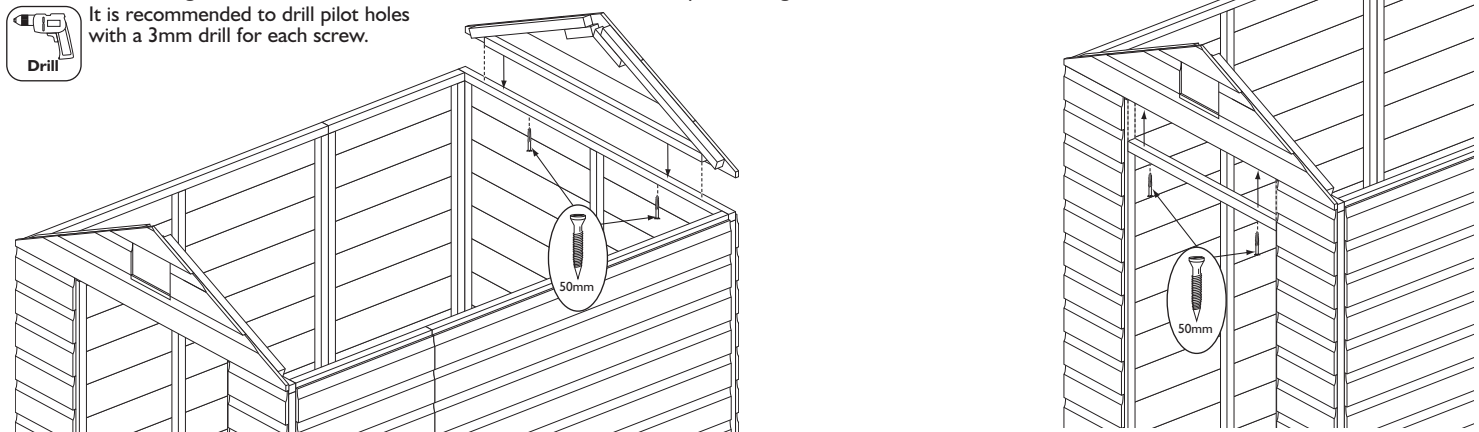


## 3. Apex panels and door header rail

Place the back apex panel on top of the back panel, make sure the bottom shiplap board of the apex panel fits correctly into the shiplap board of the back panel. Secure by using 2 x 50mm screws, screw up through the top frame of the back panel into the bottom frame of the apex panel. Repeat for front apex. Attach to the front apex the door header rail using 2 x 50mm screws. Secure it flush to the bottom of the apex framing as shown.



It is recommended to drill pilot holes with a 3mm drill for each screw.

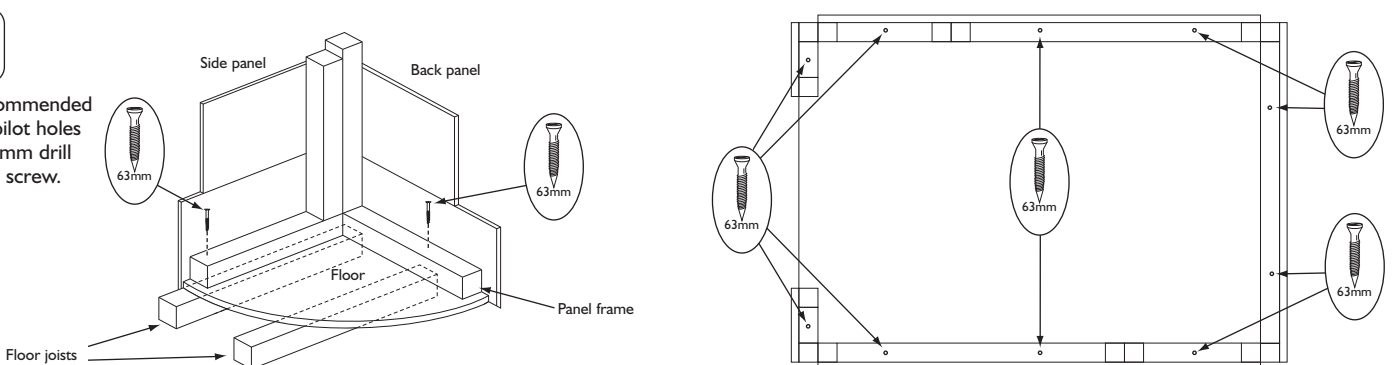


## 4. Secure walls panels to floor

Ensure the panels are sitting square on the floor. Secure using 10 x 63mm screw, screw through the panel frames and floor into the floor frame.

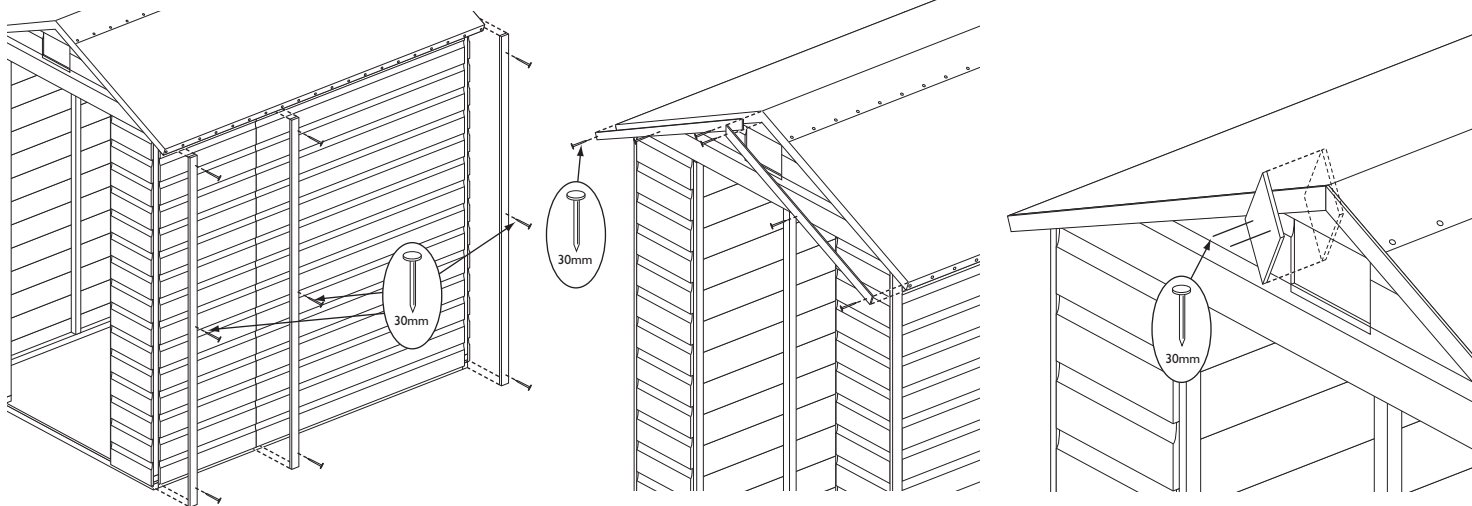


It is recommended to drill pilot holes with a 3mm drill for each screw.



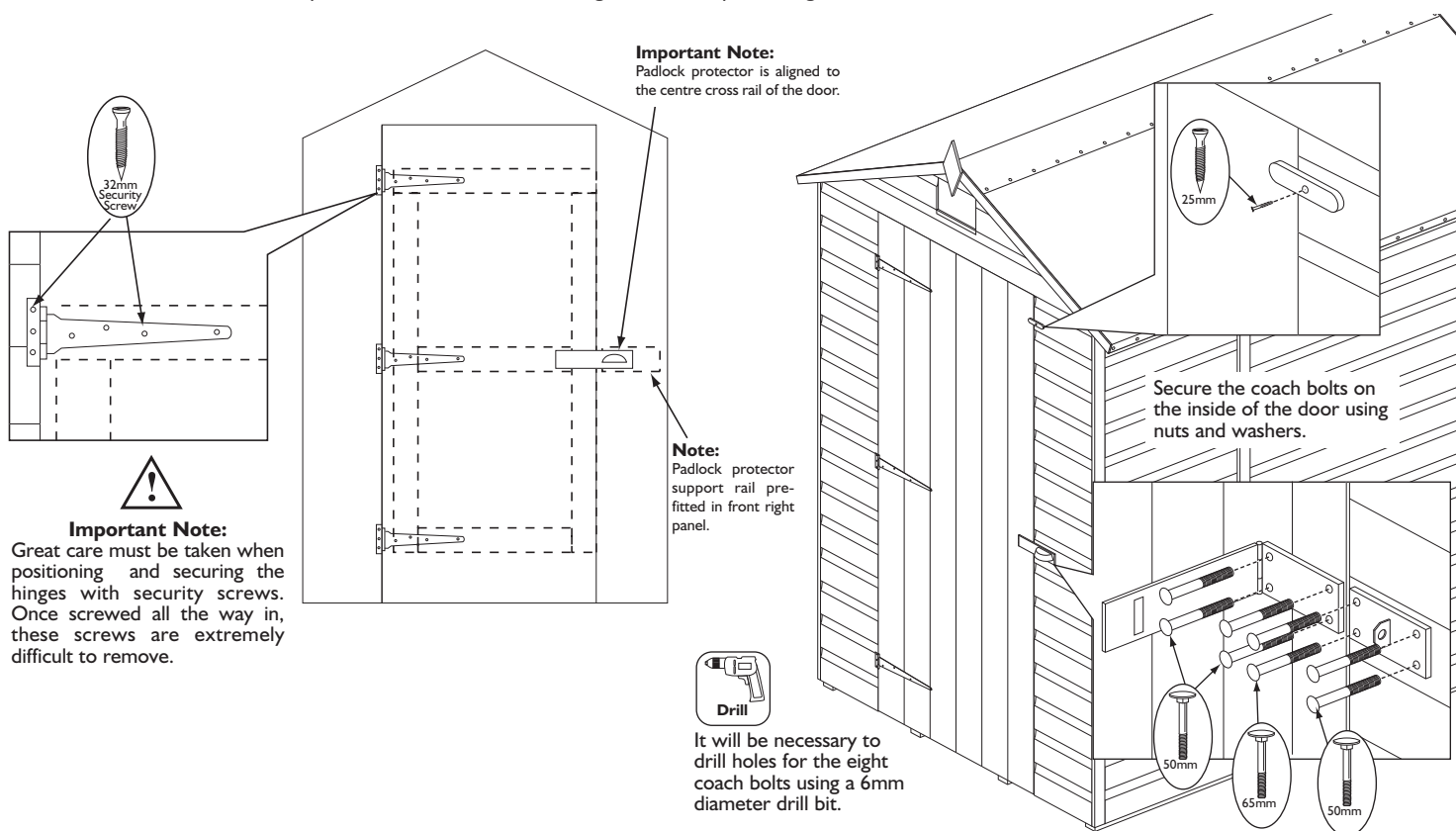
## 9. Coverstrips, bargeboards and finials

Fit a coverstrip into each corner, attach using 3 x 30mm nails per strip. The remaining two are used to cover the panel joins on each side, attach using 3 x 30mm nails per strip. Attach bargeboards at the front so that the top edge is flush with the roof line and the two boards meet evenly in the middle secure using 3 x 30mm nails per board. Repeat for the bargeboards on the back. On the front attach a finial centrally over the join between the bargeboards use 2 x 30mm nails. Repeat for the finial on the back.



## 10. Door

Position the door in the opening and secure in place with three T-hinges and 7 x 32mm security screws per hinge as shown below. Fit the padlock protector to the outside of the door in line with the centre cross rail on the inside of the door, secure in place using 4 x 50mm coach bolts, nuts and washers. It will be necessary to drill holes for the coach bolts using a 6mm diameter drill bit. Fit the catch plate to the right-hand front panel using 2 x 65mm and 2 x 50mm coach bolts, nuts and washers, as shown below. Position the turn button near the top of the door and secure to the right-hand front panel using 1 x 25mm screw.



## Important information - retain for future reference

Shiplap buildings come ready stained but this is only a preparatory treatment. To **VALIDATE** the guarantee, the building must be properly treated with a recognised external wood preserver **WITHIN 3 MONTHS** of assembly and **RE-TREATED ANNUALLY** thereafter.

Adequate provision must be made to ensure ground contact is avoided and air is able to circulate underneath the building. Placing the building on a concrete pad or slab base is acceptable provided that the building is not allowed to sit in pooled water during wet conditions. If the building is to sit on soil or grass it **MUST** be erected on pressure treated wooden 50mm x 50mm or similar bearers (**These are not supplied in the kit**). Rowlinson Garden Products recommend using pressure treated bearers with all buildings on any type of base.

### Timber Information.

As timber is a natural material, there are certain weather conditions that may affect the materials properties. In times of excessive dry spells the material may lose some of its internal moisture causing a certain degree of shrinkage on a panel and in periods of excessive rain there will be a certain amount of swelling throughout the wooden panels. This process can not be avoided. If you have problems with certain boards shrinking in dry spells try to decrease the amount of direct sunlight on the building or the amount of air passing over the building. During hot spells spray water directly onto the panels with the aid of a garden hose.

If in doubt of any aspect regarding the assembly, use or safety of your building please contact us :

**Help Line: (Normal Office Hours) 01829 261 121**

**Email: support@rowgar.co.uk**

ROWLINSON GARDEN PRODUCTS LIMITED  
Green Lane  
Wardle Nr. Nantwich  
Cheshire  
CW5 6BN  
[www.rowgar.co.uk](http://www.rowgar.co.uk)

We constantly improve the quality of our products, occasionally the components may differ from the components shown and are only correct at time of printing. We reserve the right to change the specification of our products without prior notice.

2015 © Rowlinson Garden Products Ltd

## 5. Door rebate coverstrips

To the door hinge side front panel, position the 12x28x1685mm door rebate coverstrip between the floor and the header rail and attach to the side of the panel frame using 5 x 25mm screws. To the other front panel, attach the rebate strip to the back of the panel using 5 x 25mm screws leaving a 12mm overlap. See diagram below.

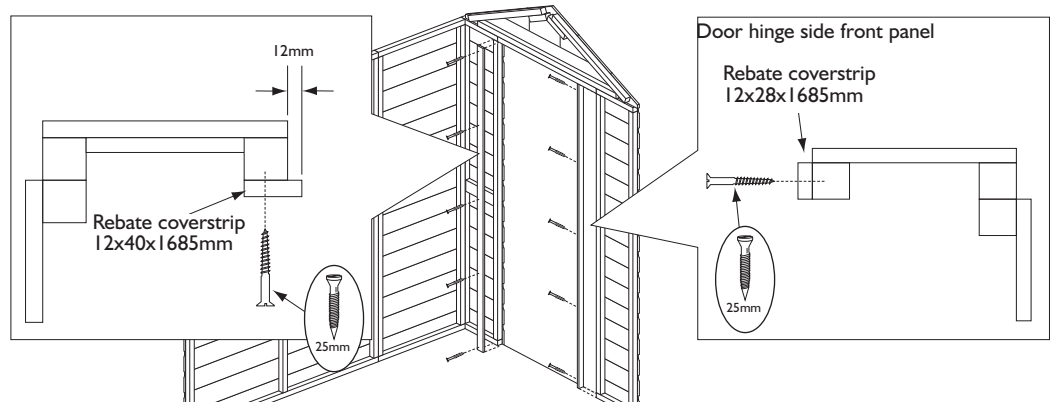
View from inside the building.



**Important Note:**  
Ensure correct orientation of each door rebate cover strip.



It is recommended to drill pilot holes with a 3mm drill for each screw.



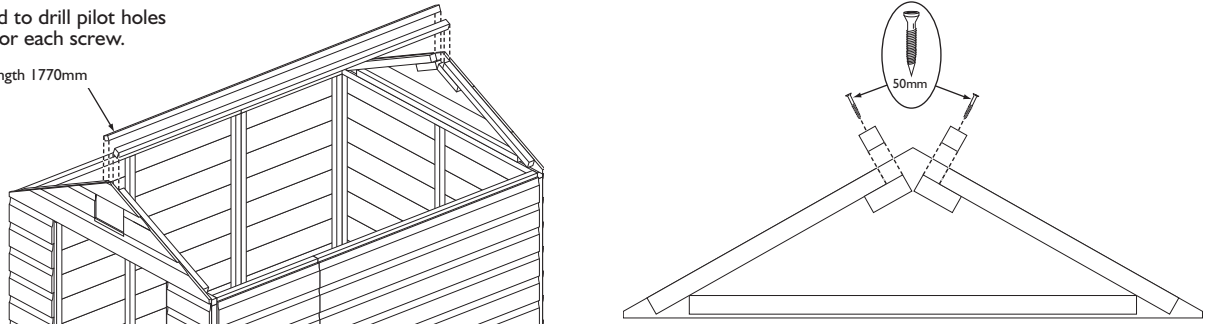
## 6. Roof purlins

Insert the two roof purlins into the rebates in the apex panels as shown. Fix in place using 1 x 50mm screws at the end of each purlin. Screw through the purlin into the frame of the apex panels.



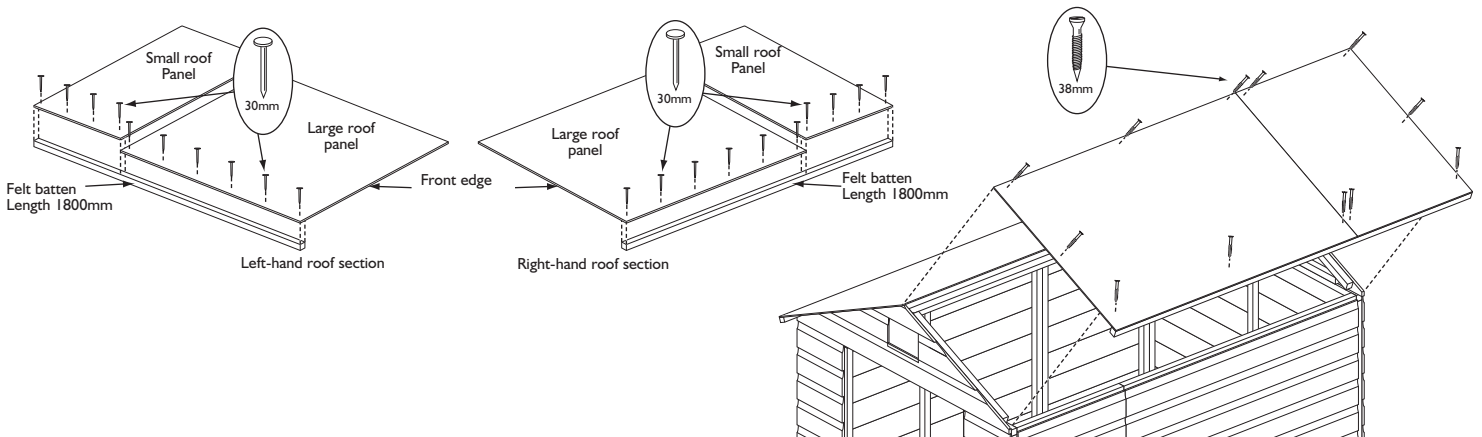
It is recommended to drill pilot holes with a 3mm drill for each screw.

Purlins Length 1770mm



## 7. Roof

Secure to each felt batten one large roof panel and one small roof panel using 10 x 30mm nails as shown. Ensure the felt batten is flush to the edges of the panels. Position the roof panels onto the assembly, make sure the top edges are located at the apex and the roof is flush with the front and back apex. Secure with 12 x 38mm screws per roof section, screw through the roof and into the panel framing and purlins.



## 8. Roofing felt

Cut roofing felt into two equal lengths. Place one length over the roof. At the front, back and along the lower edge of the roof leave an overhang of felt of at least 40mm. Fold down the felt along the lower edge and secure to the felt batten using 20 x 10mm felt nails evenly spaced. Dress the felt over the roof ridge, tension and secure along the edge using 4 x 10mm felt nails. Position the second piece of felt in the same way as the first on the other side of the roof, ensure it overlaps the first. Attach to the felt batten using 20 x 10mm felt nails, tension over the roof and secure with 20 x 10mm felt nails. At each end dress down the felt and secure to the panels using 8 x 10mm felt nails per end. Using a sharp knife trim off excess felt.

