

WILLINGTON SQUARE 90X90CM TABLE

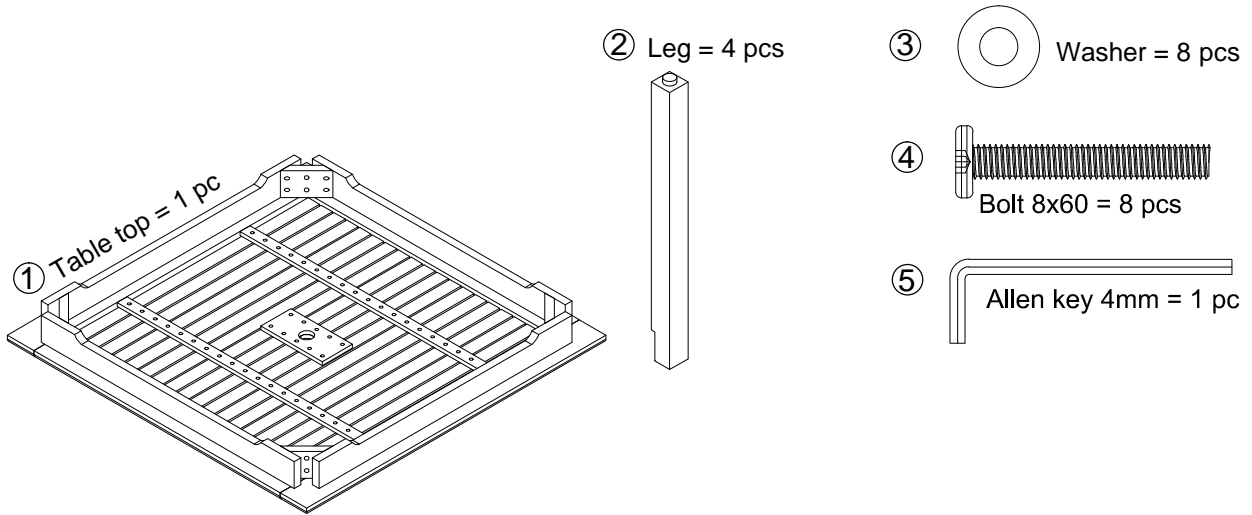
WILSQ90

ASSEMBLY INSTRUCTION

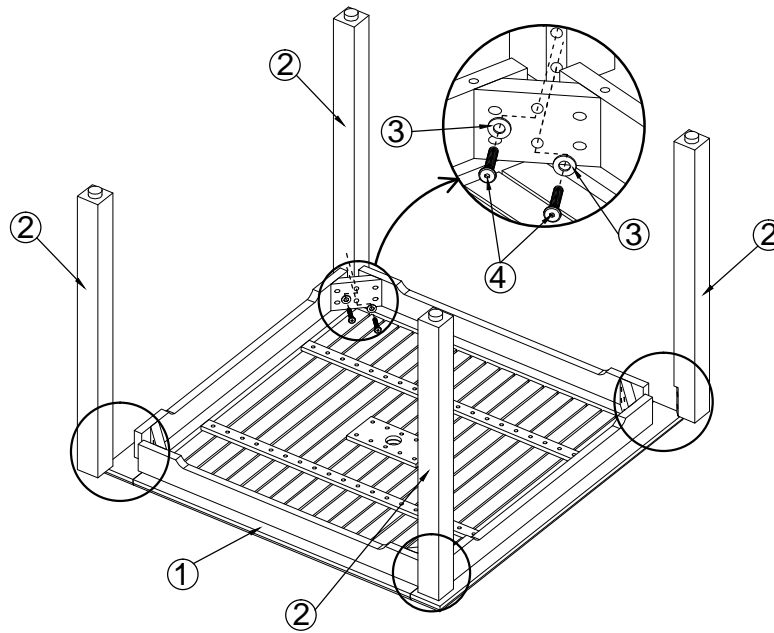
Help Line (Normal Office Hours) 01829 261 121

This pack contains one table

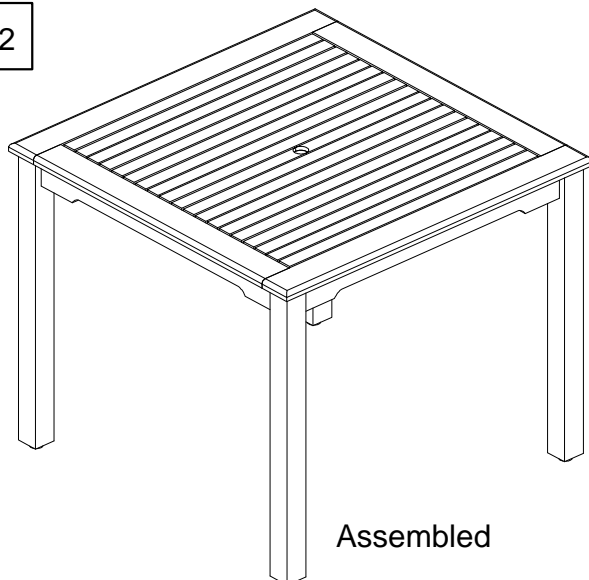
Sales@rowgan.co.uk



STEP 1



STEP 2



We constantly improve the quality of our products, occasionally the components may differ from the components shown and are only correct at time of printing. We reserve the right to change the specification of our products without prior notice.

2019 © Rowlinson Garden Products Ltd