

# Half Parasol

# English SS527

## Assembly Instructions



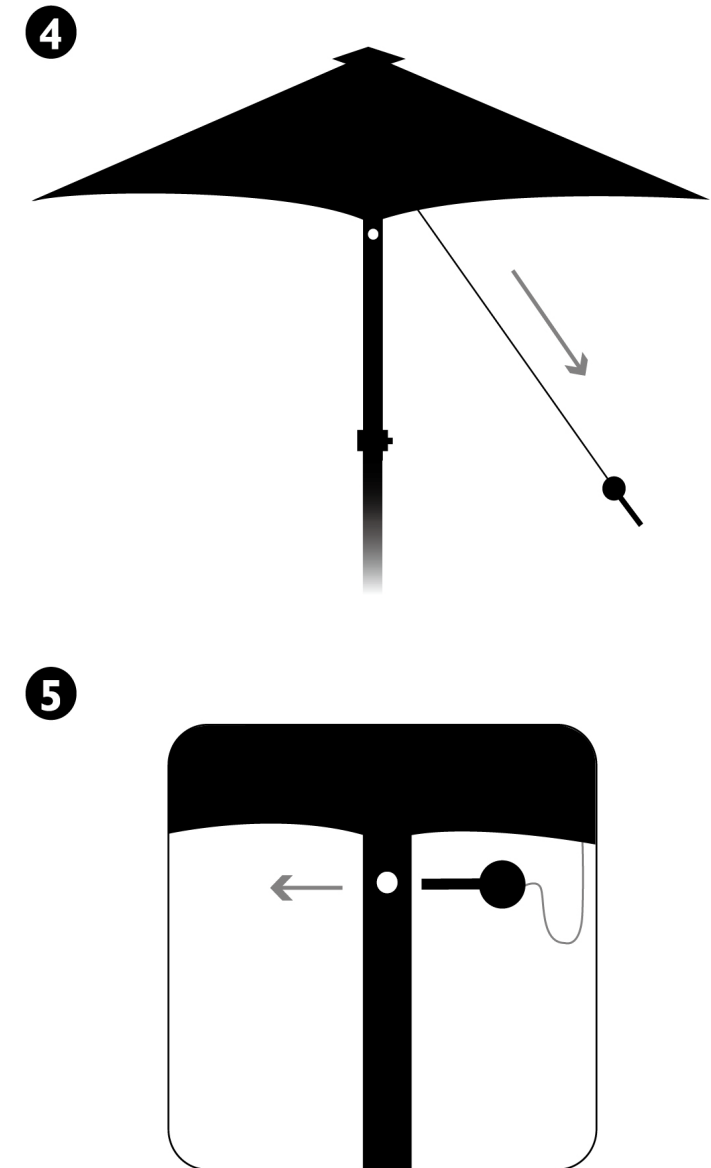
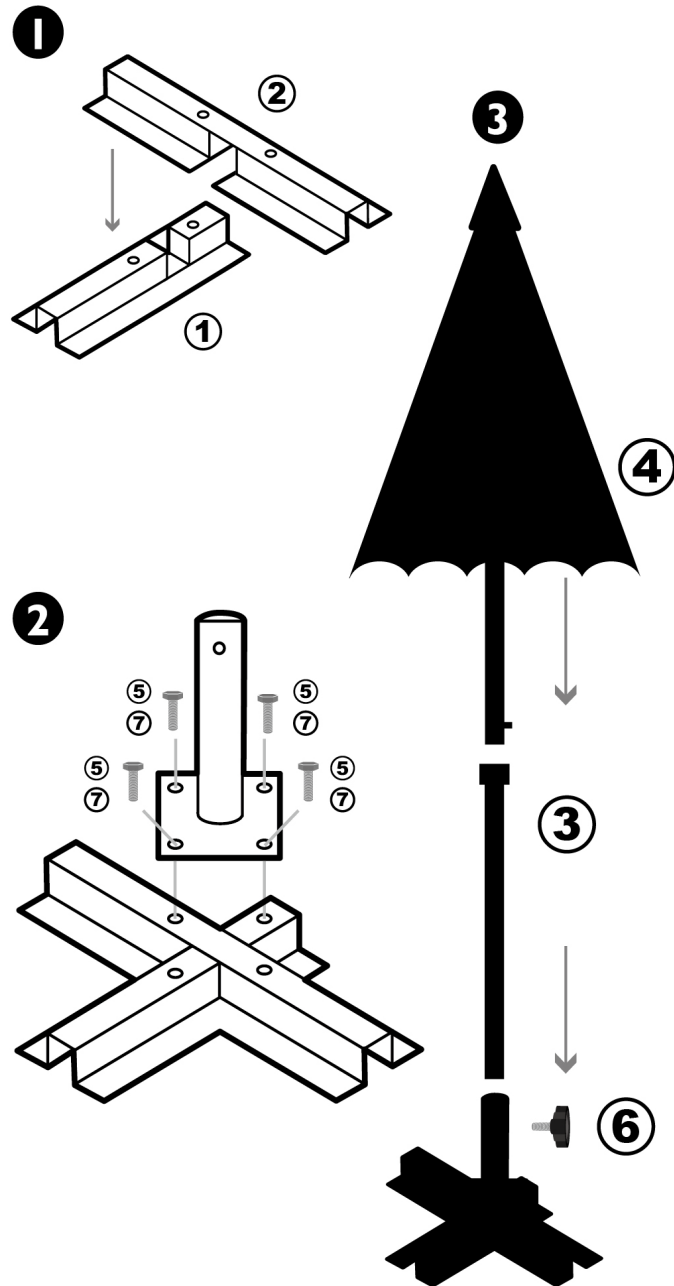
### Before assembly

- We recommend that time is taken to read the instructions before starting assembly, then follow the easy step by step guide. The instruction sheet is only a guide to the assembly. Certain items may not be shown to scale.
- Check all components prior to assembly
- This product should be assembled by no less than two people.



No.	Components	Qty.
1	Bottom base plate	1
2	Top base plate	1
3	Post	1
4	Parasol	1

No.	Fixing kit	Qty.
5	13mm bolt	4
6	40mm bolt	1
7	Washer	4



We constantly improve the quality of our products, occasionally the components may differ from the components shown and are only correct at time of printing. We reserve the right to change the specification of our products without prior notice.