

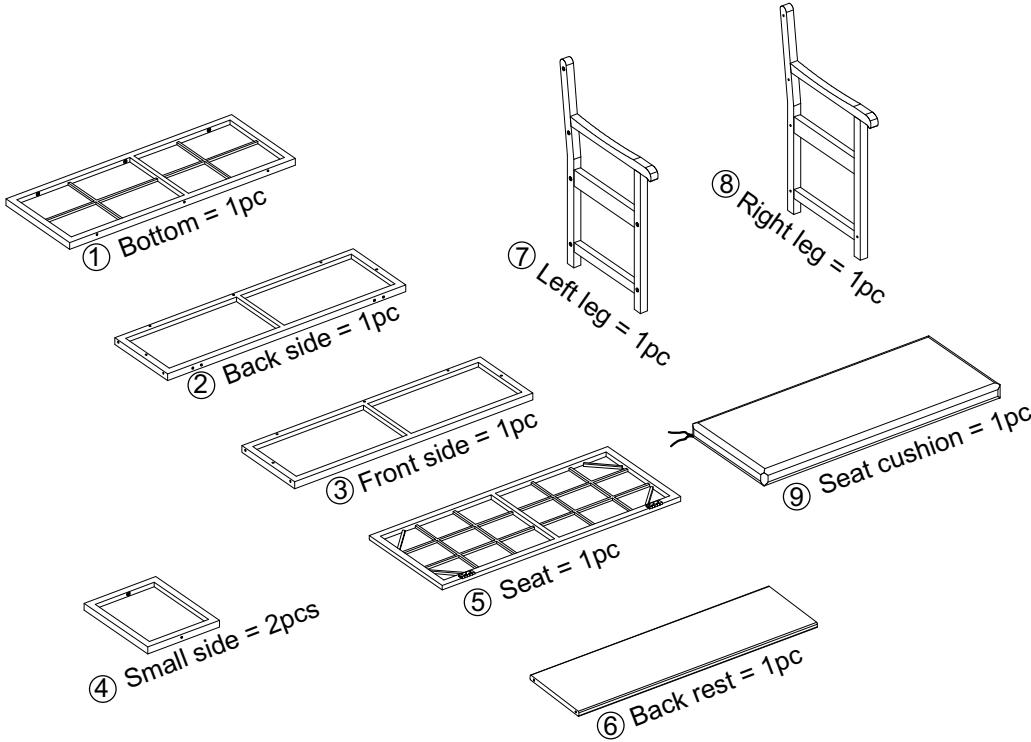
ALDERLEY WICKER BENCH NATURAL

NATWICKBENCH

ASSEMBLY INSTRUCTION

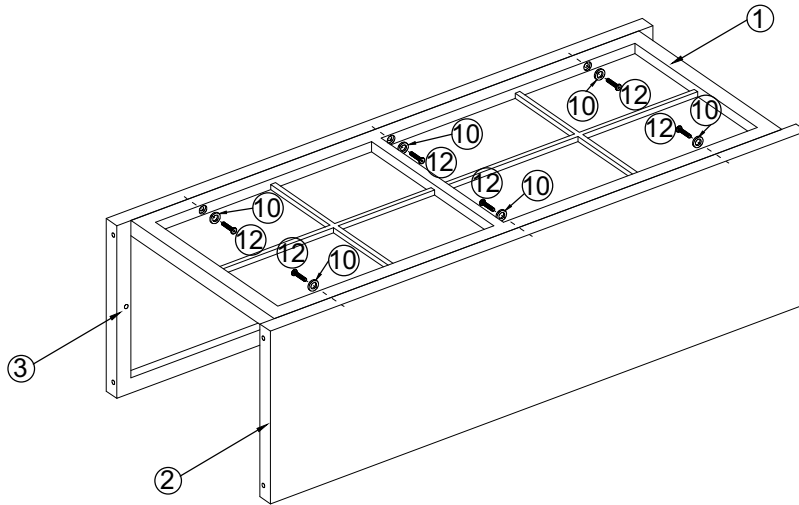
Help Line (Normal Office Hours) 01829 261 121

This pack contains one alderley wicker bench natural.

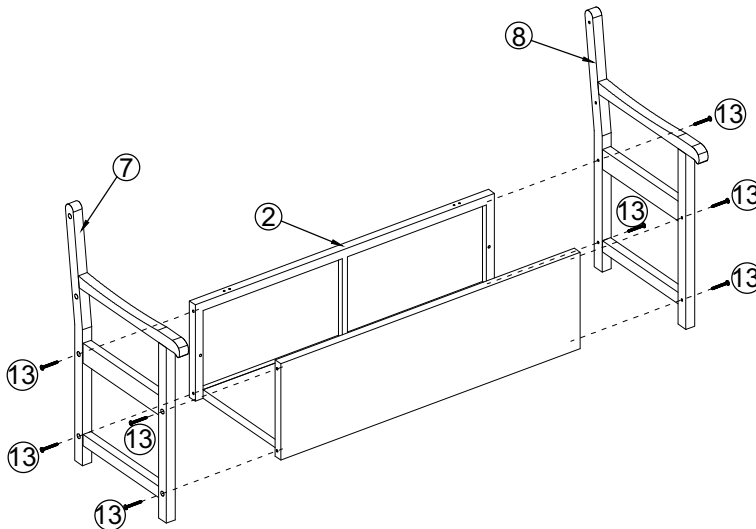


- ⑩ Washer = 10 pcs
- ⑪ Bolt 6x15 = 4 pcs
- ⑫ Bolt 6x30 = 10 pcs
- ⑬ Bolt 6x50 = 12 pcs
- ⑭ Plastic plugs = 12 pcs
- ⑮ Allen key 4mm = 1pc

STEP 1



STEP 2

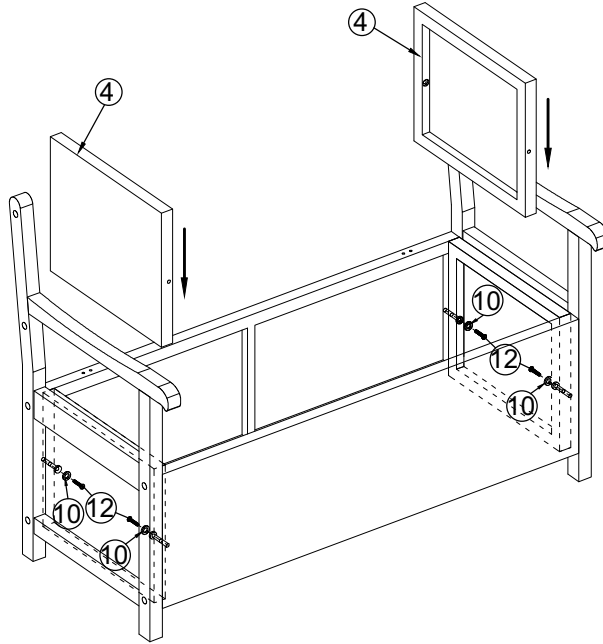


**ALDERLEY WICKER BENCH NATURAL
ASSEMBLY INSTRUCTION**

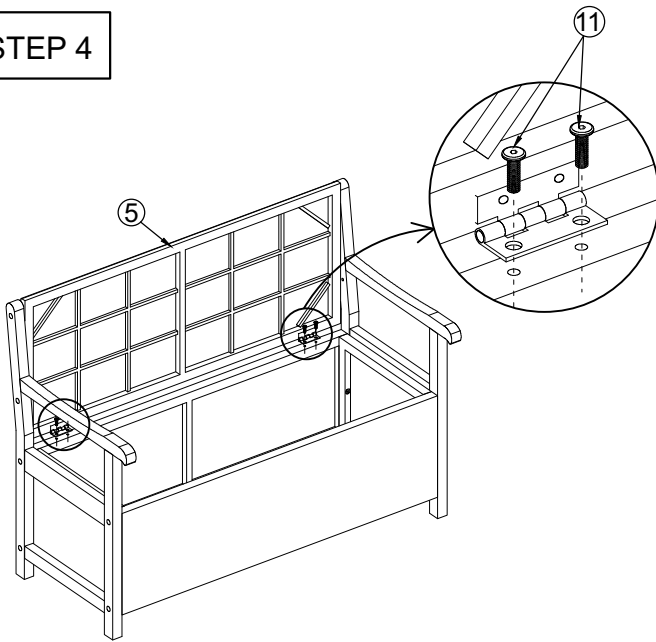
Help Line (Normal Office Hours) 01829 261 121

NATWICKBENCH

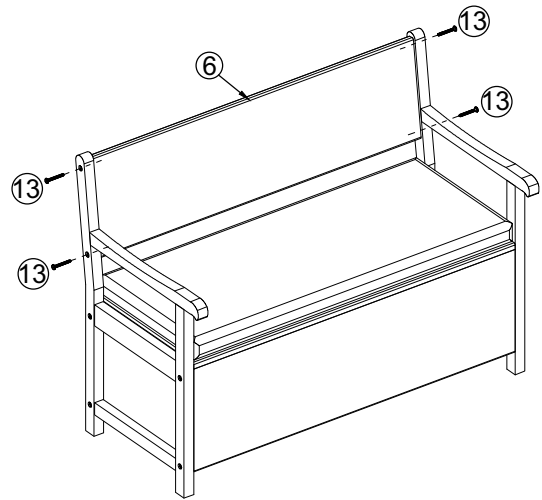
STEP 3



STEP 4



STEP 5



STEP 6

