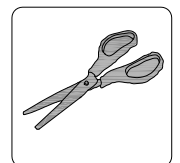
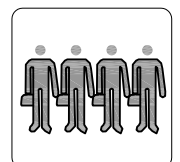
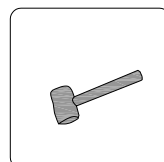
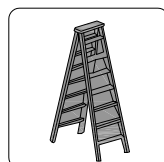
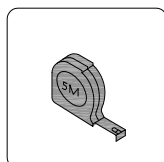
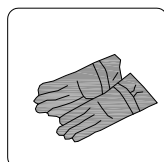
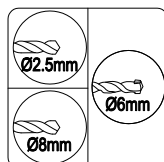
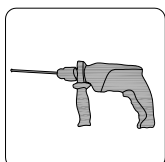
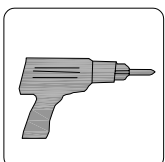
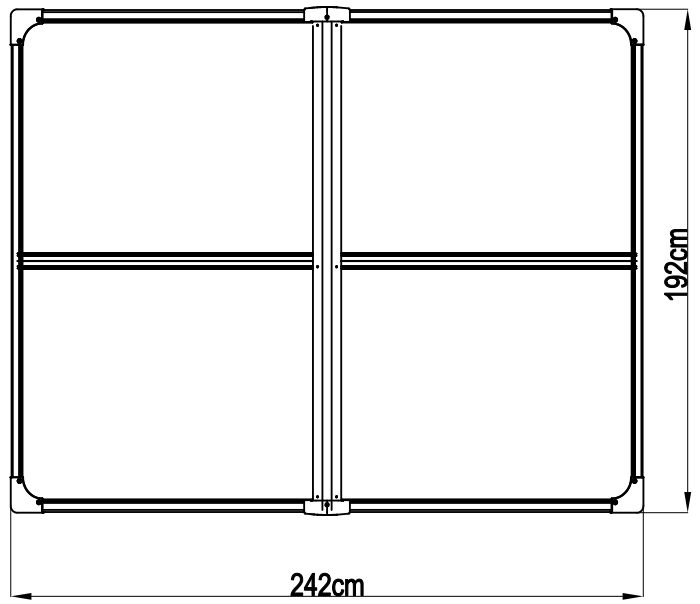
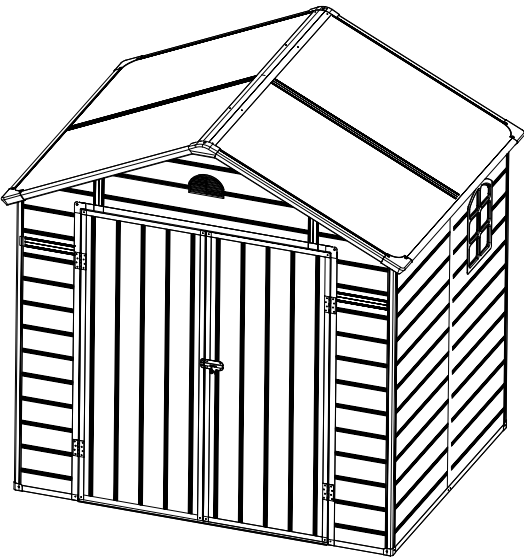
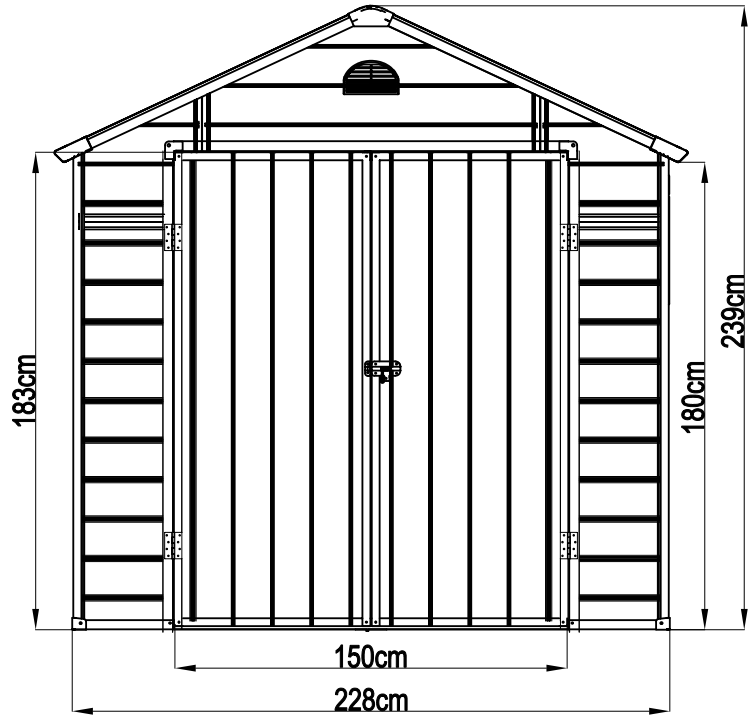
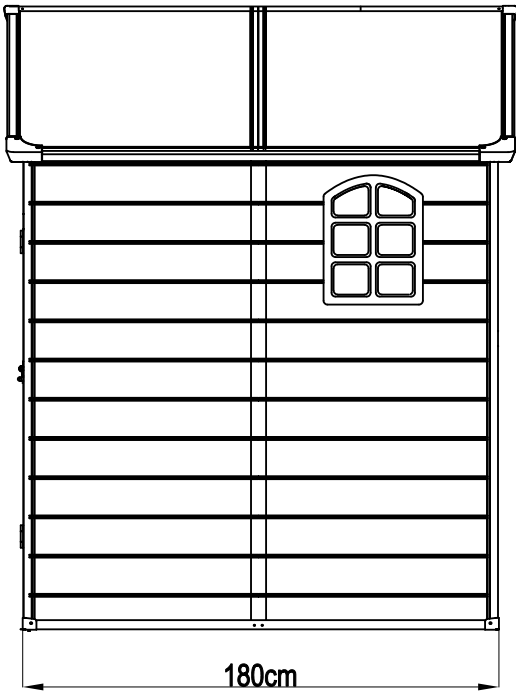


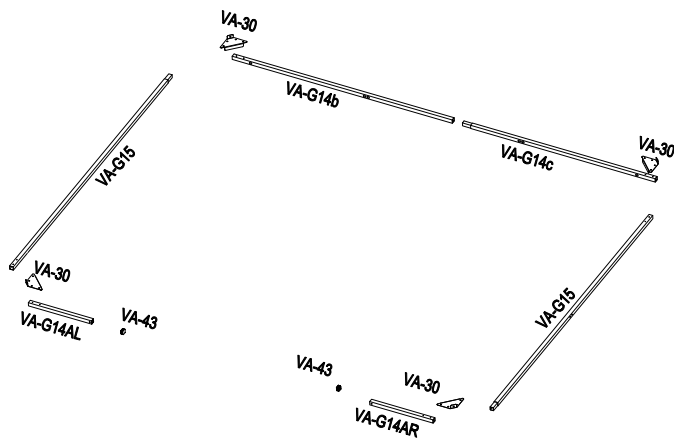
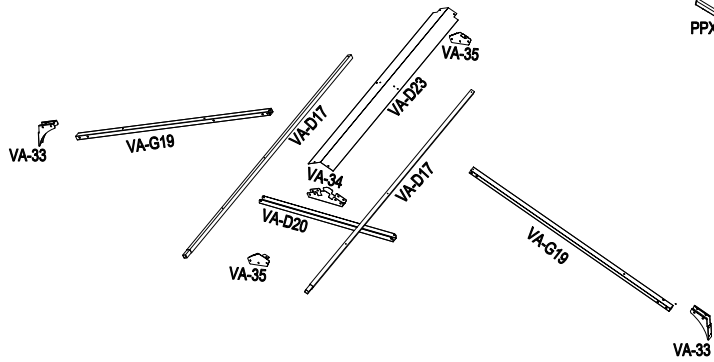
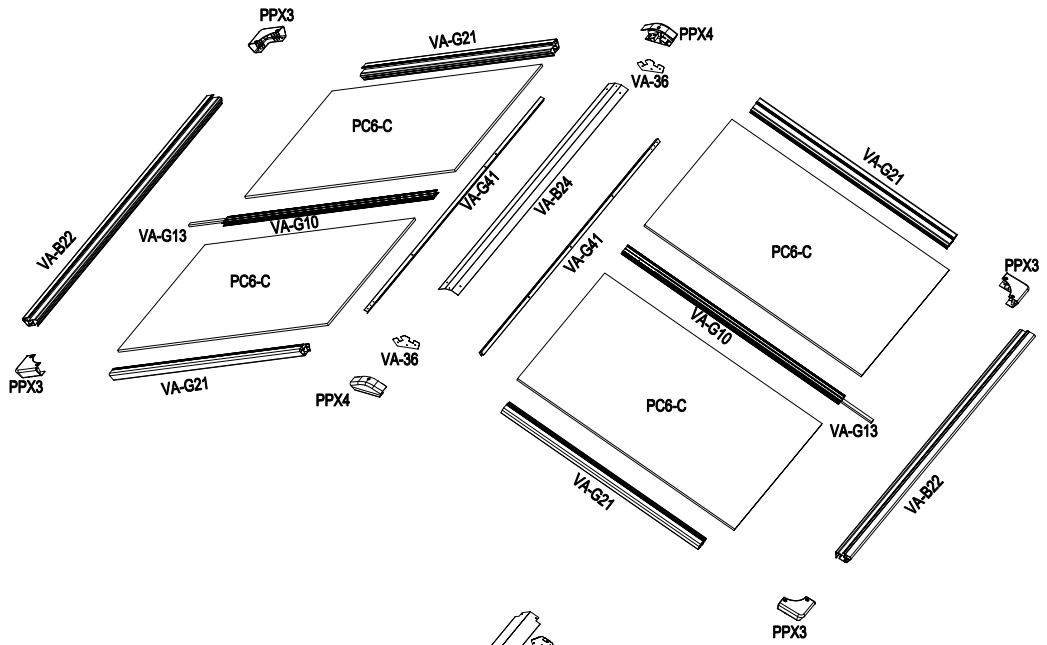
Airevale 8x6 Apex Plastic Shed

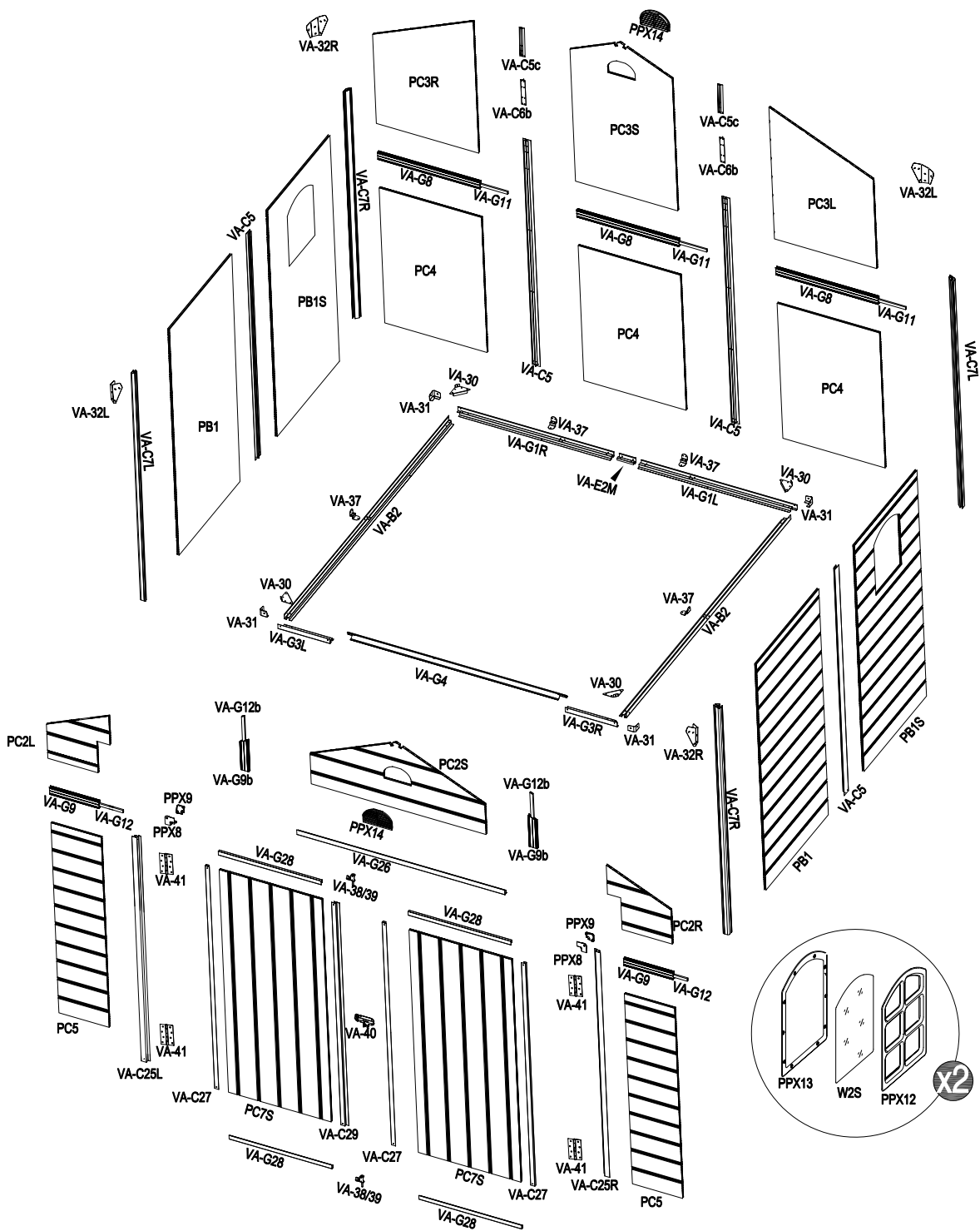
Light Grey: SS549






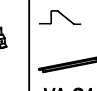


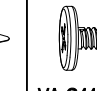
Dark Grey: SS550

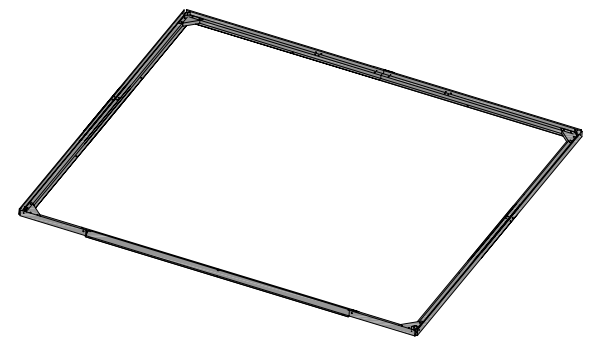
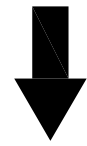
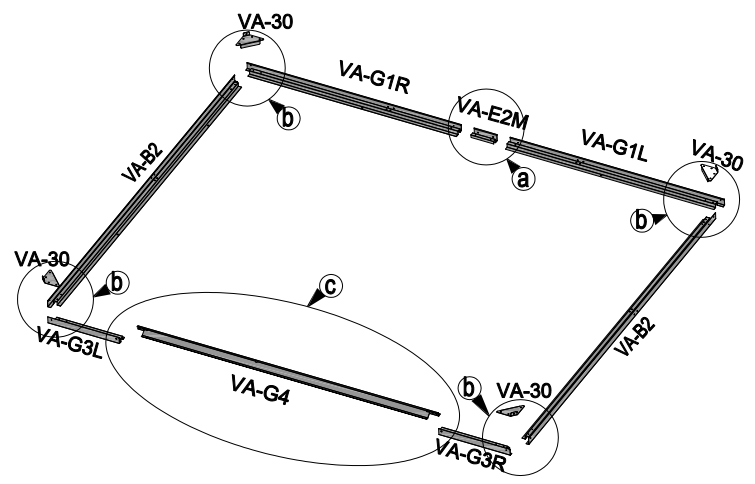
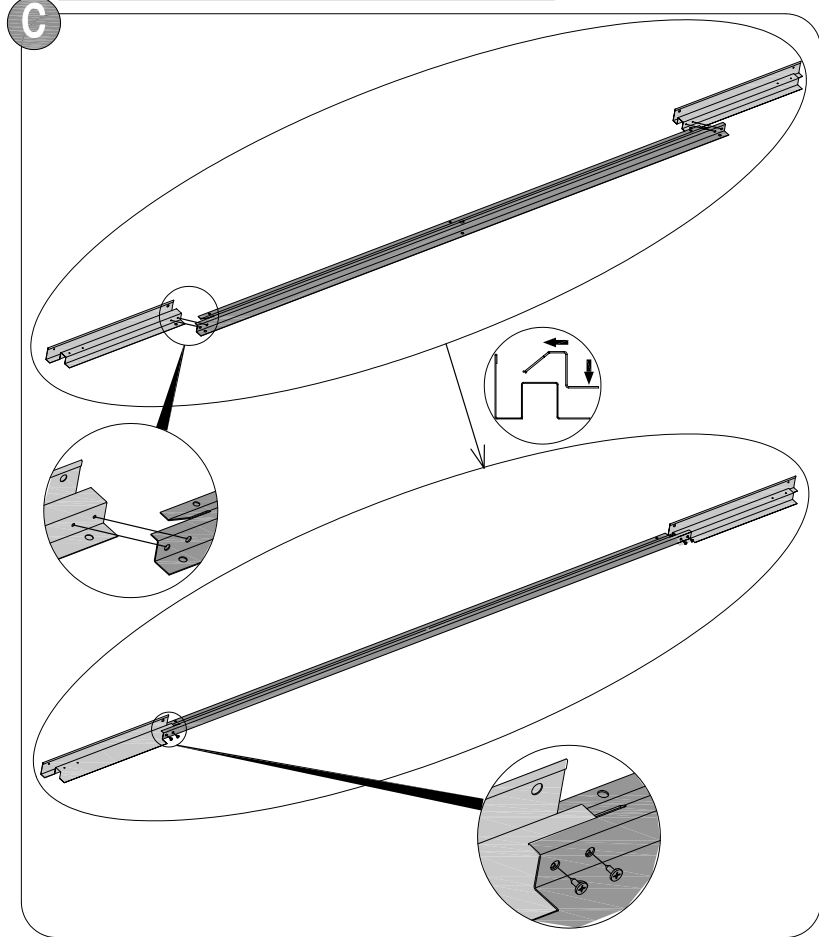
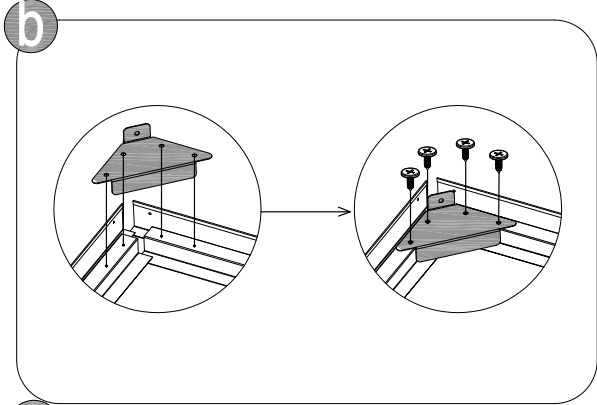
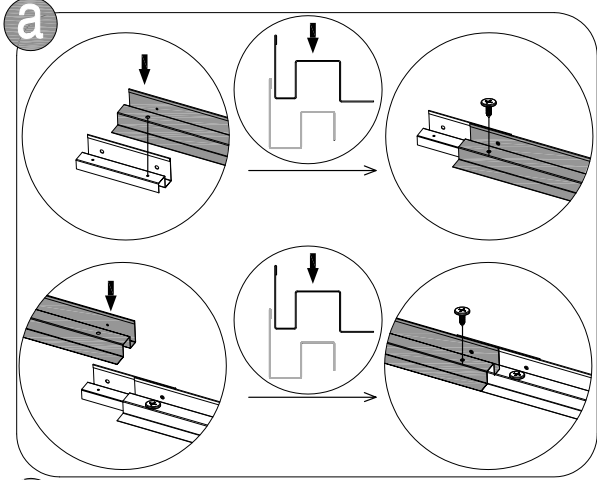








1	 VA-B2 [x2] 1780mm	 VA-G1L [x1] 1132mm	 VA-G1R [x1] 1132mm	 VA-G3L [x1] 377mm	 VA-G3R [x1] 377mm	 VA-G4 [x1] 1588mm	 VA-E2M [x1] 120mm	 VA-30 [x4]	 VA-G44 [x22] 13mm
----------	---	--	--	---	---	--	---	---	---



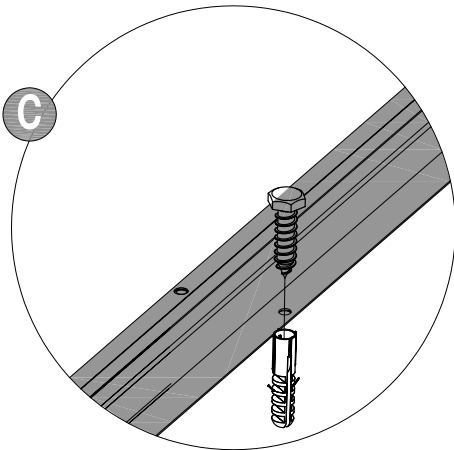
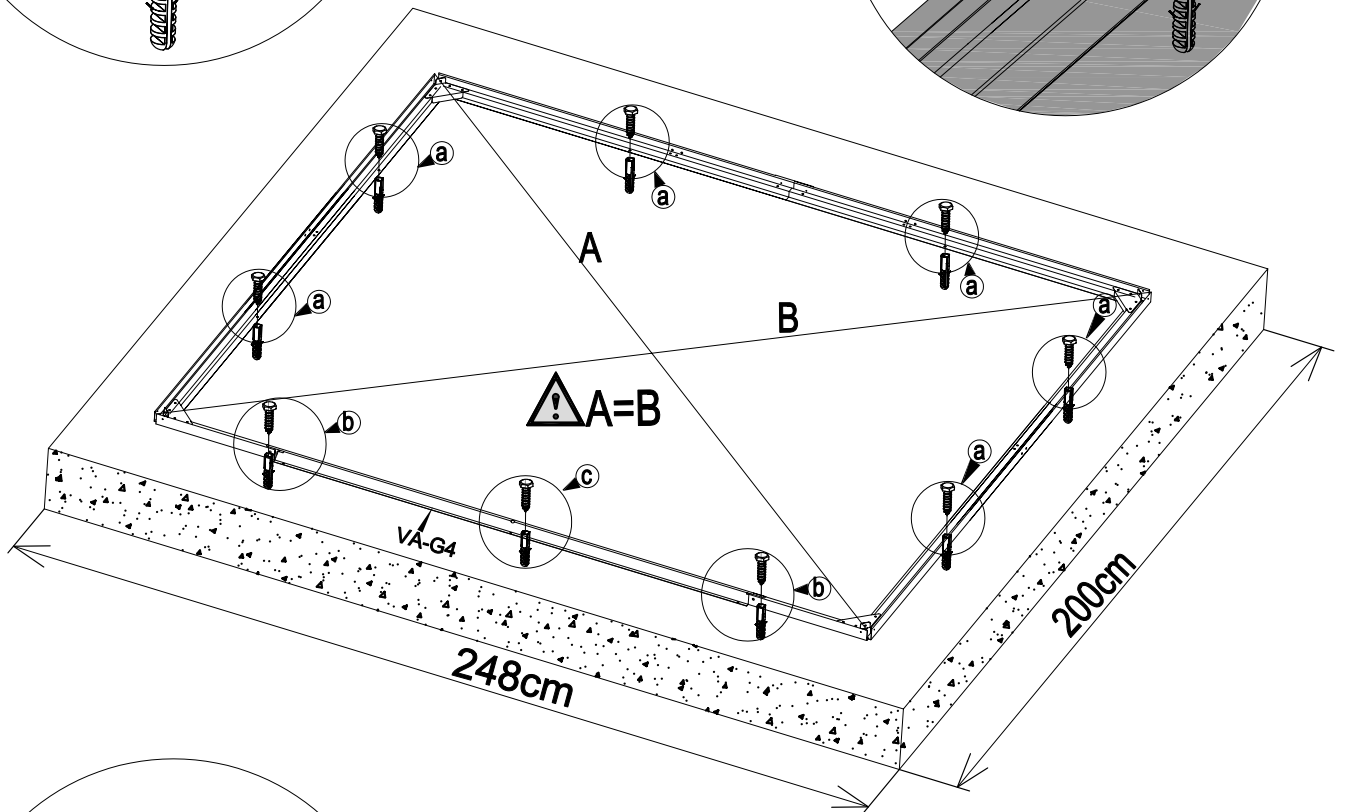
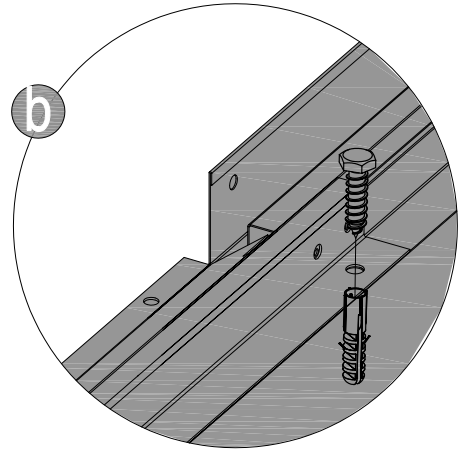
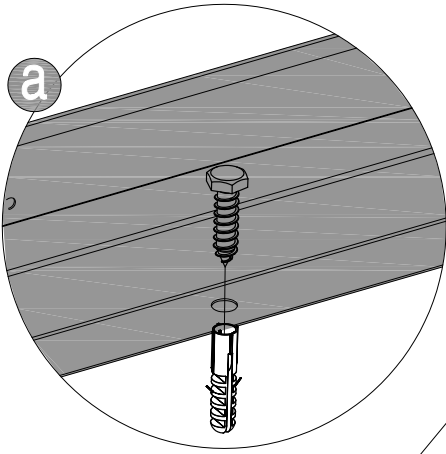
2

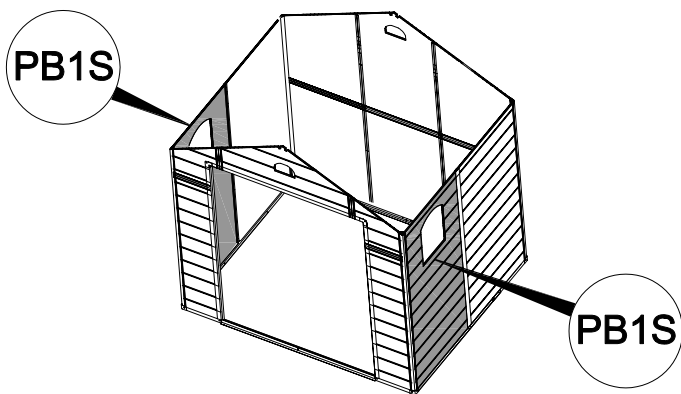
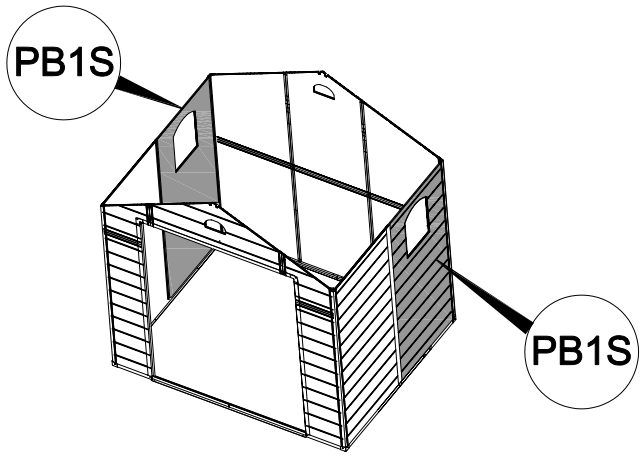



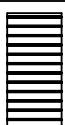


VA-G48 [x9]
40mm

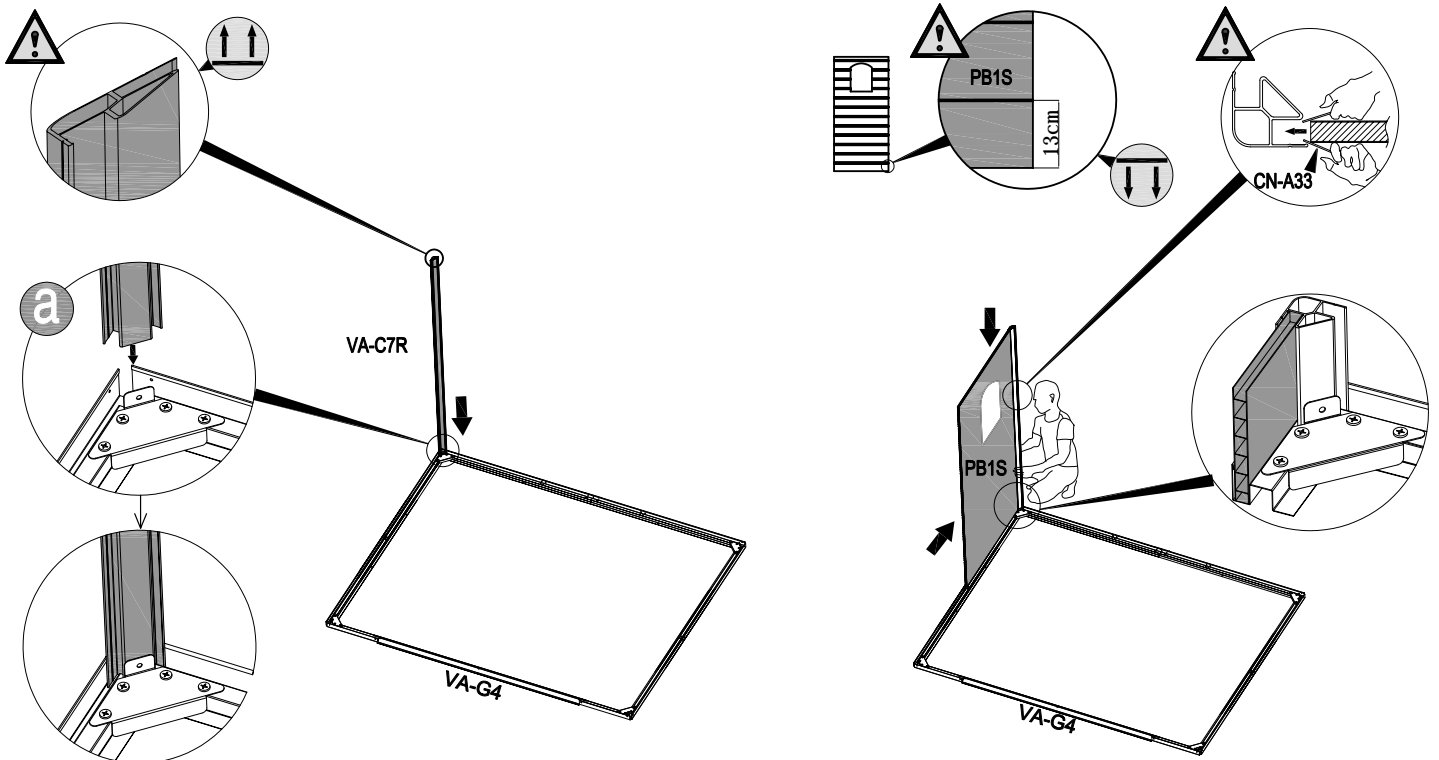




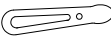

Ø6mm

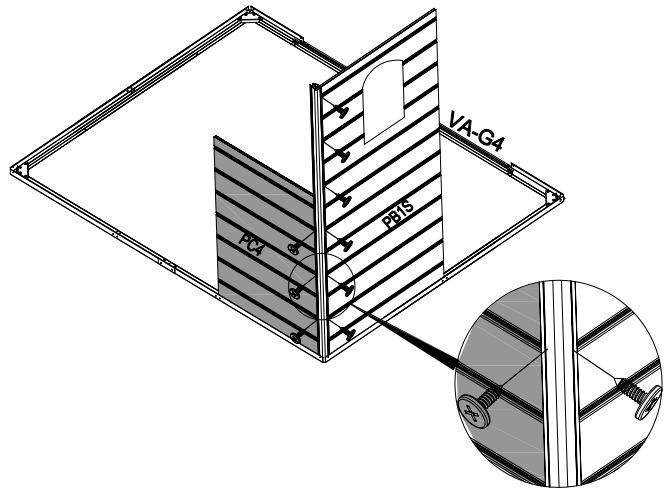
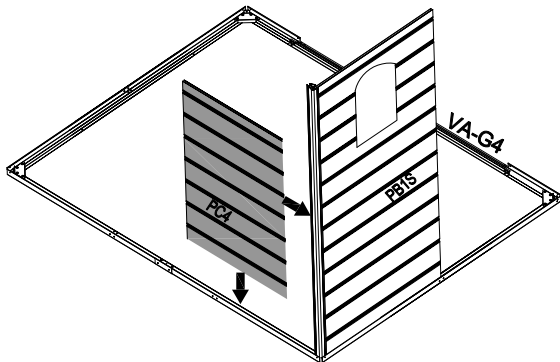
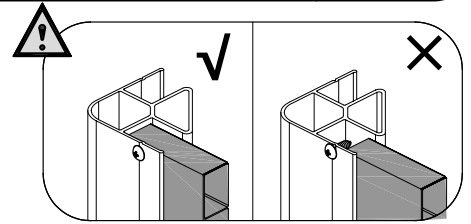
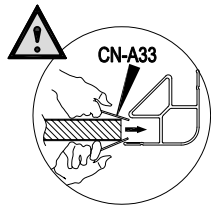
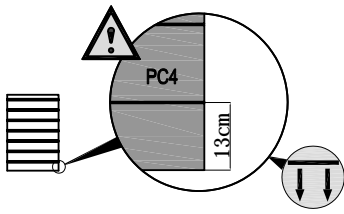



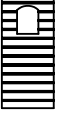

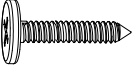
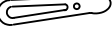
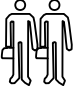


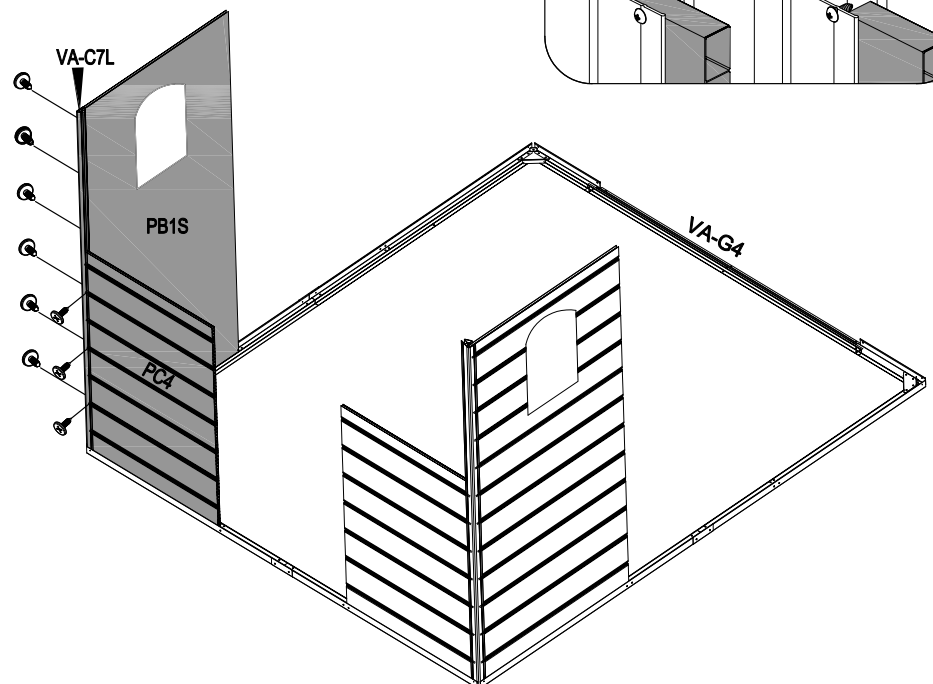
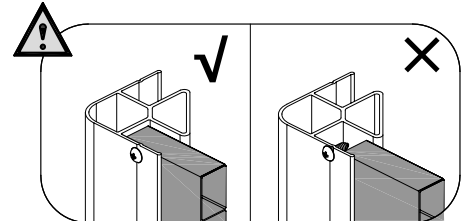
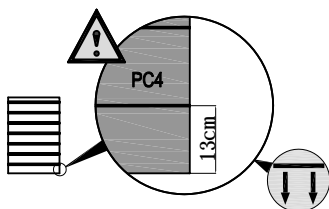
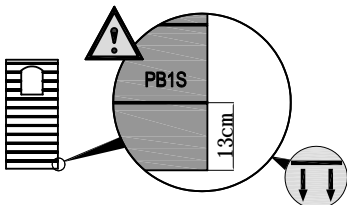
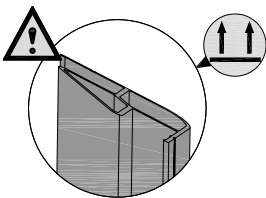
<p>3</p>	 <p>VA-C7R [x1] 1860mm</p>	 <p>PB1S [x1] 876x1840mm</p>	 <p>CN-A33</p>	
-----------------	---	---	---	---


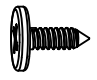



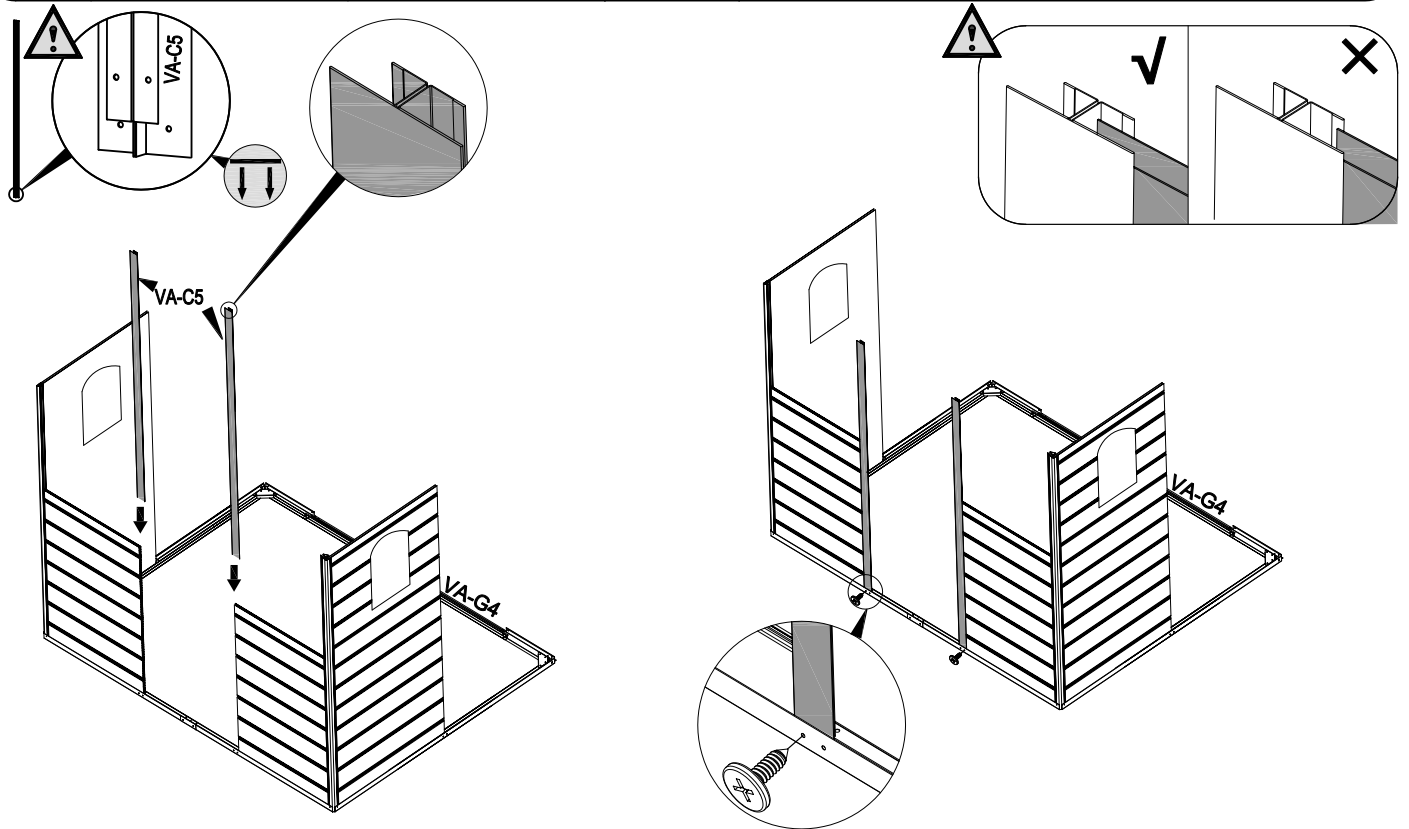
4	 PC4 [x1] 743x1100mm	 VA-G45 [x9] 19mm	 CN-A33	
----------	--	---	--	---

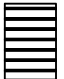

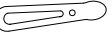



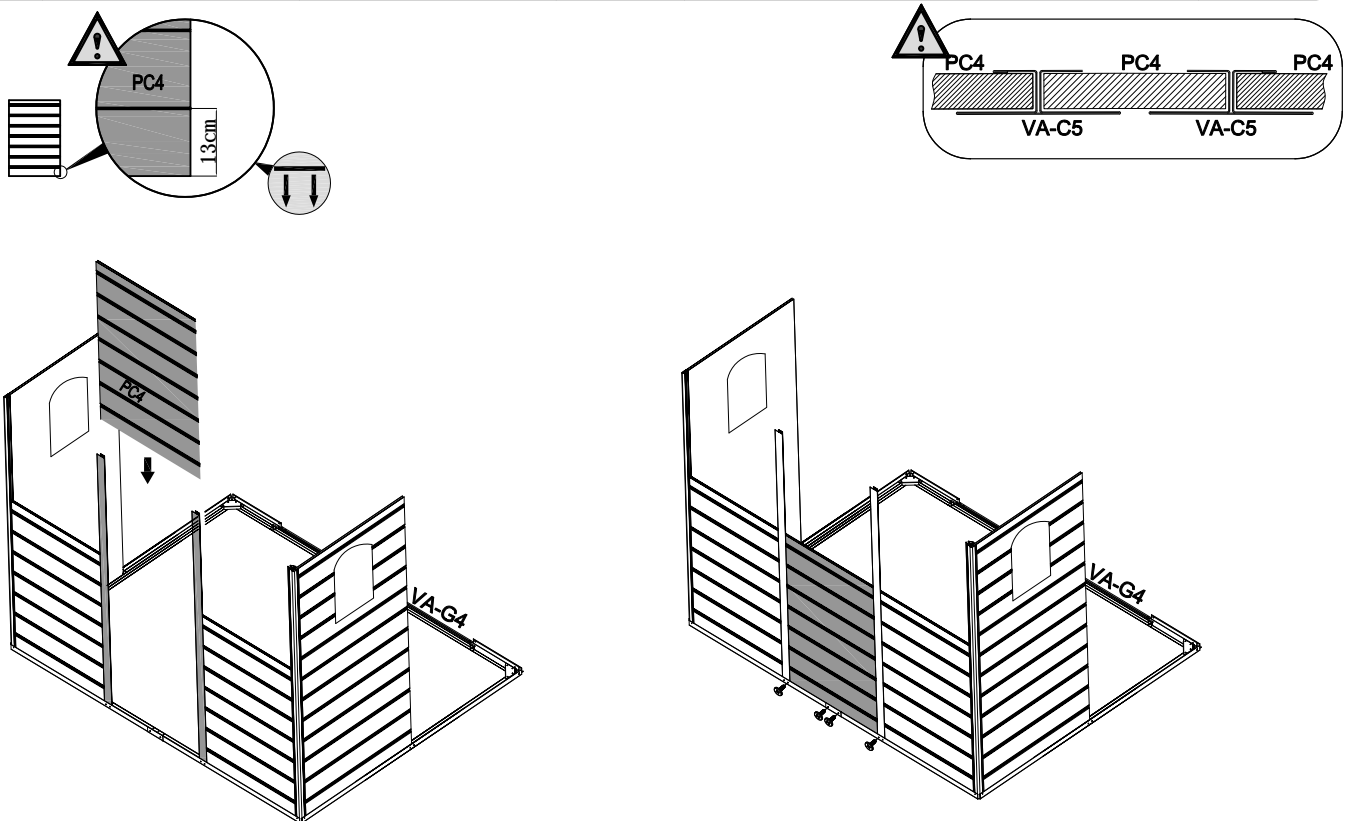
5	 VA-C7L [x1] 1880mm	 PB1S [x1] 876x1840mm	 PC4 [x1] 743x1100mm	 VA-G45 [x9] 19mm	 CN-A33	
----------	---	---	--	---	--	---



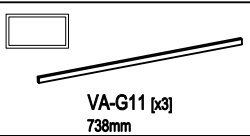
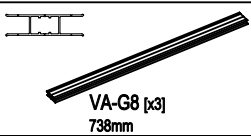
6	 VA-C5 [x2] 1840mm	 VA-G44 [x2] 13mm	 CN-A33	
---	---	--	---	--



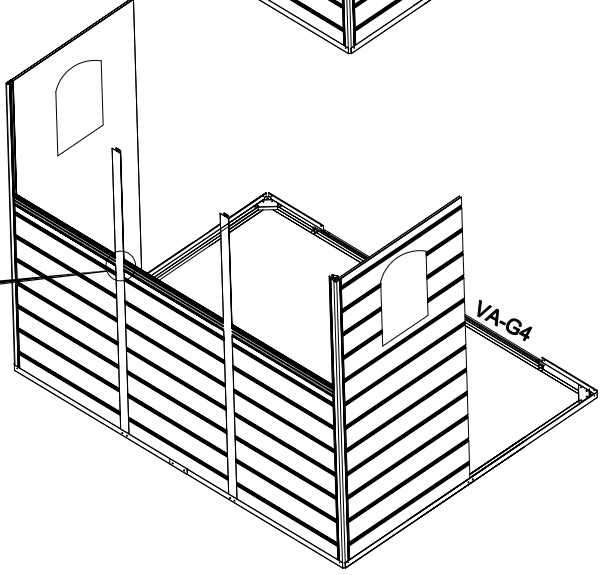
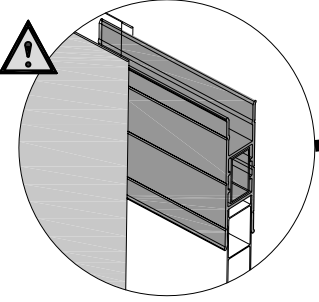
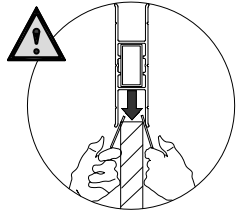
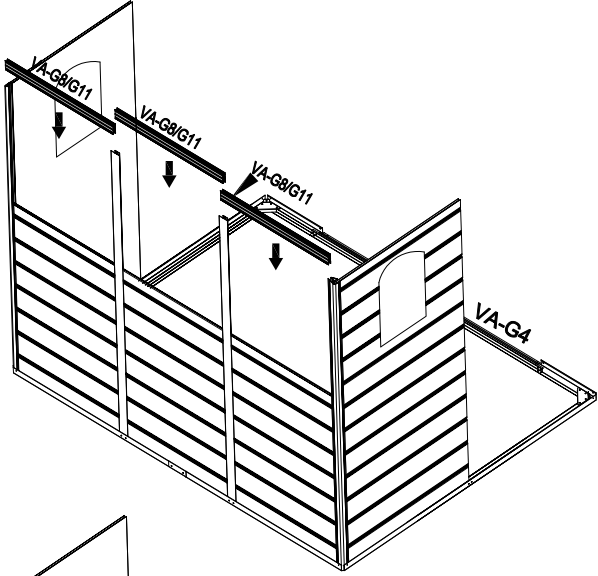
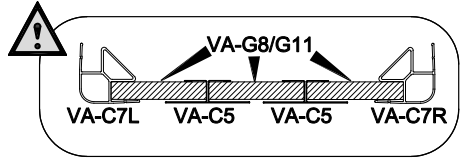
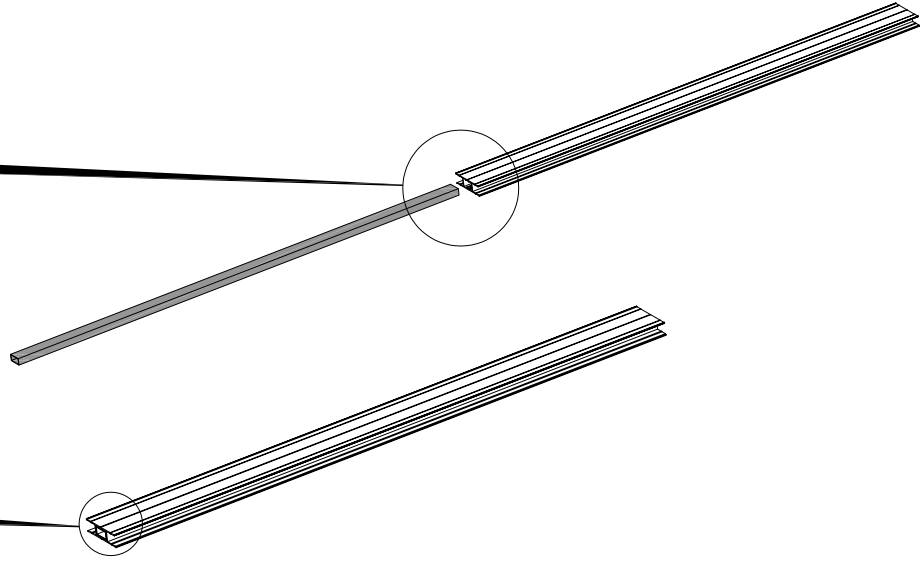
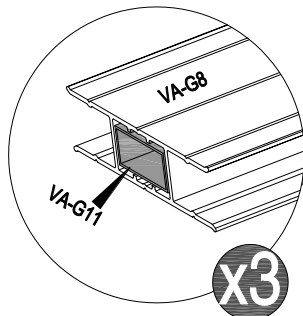
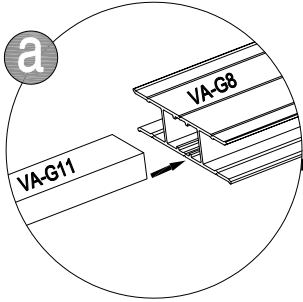
7	 PC4 [x1] 743x1100mm	 VA-G44 [x4] 13mm	 CN-A33	
---	---	--	---	---



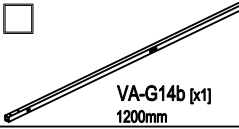
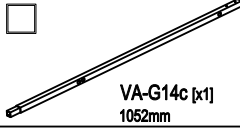
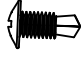
8

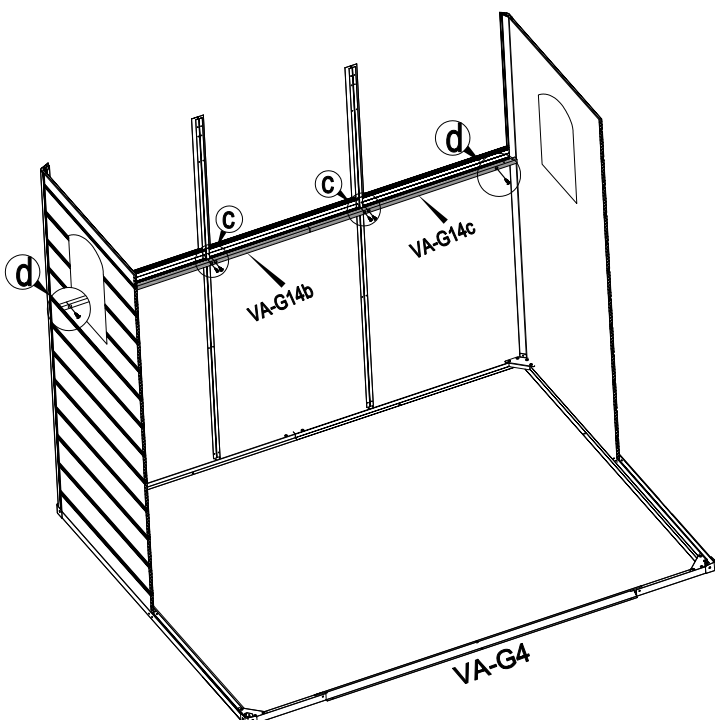
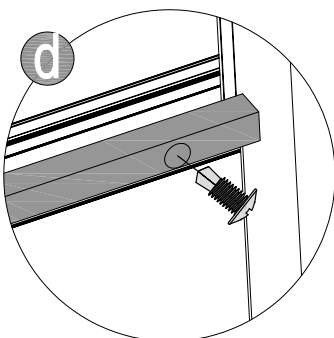
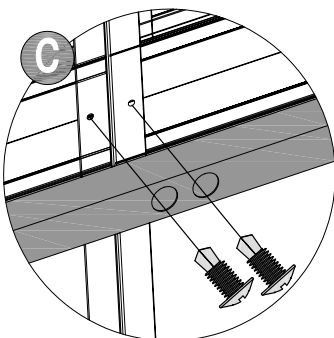
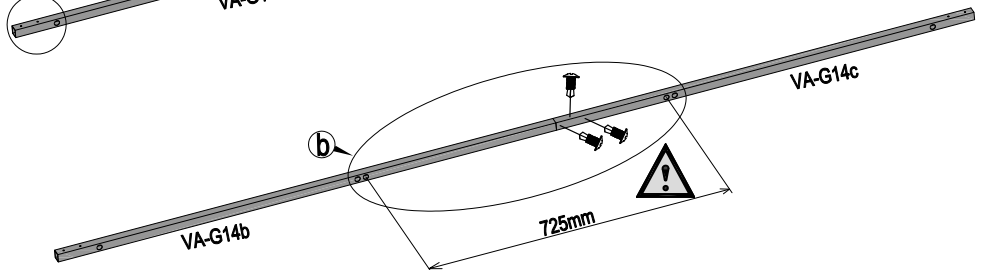
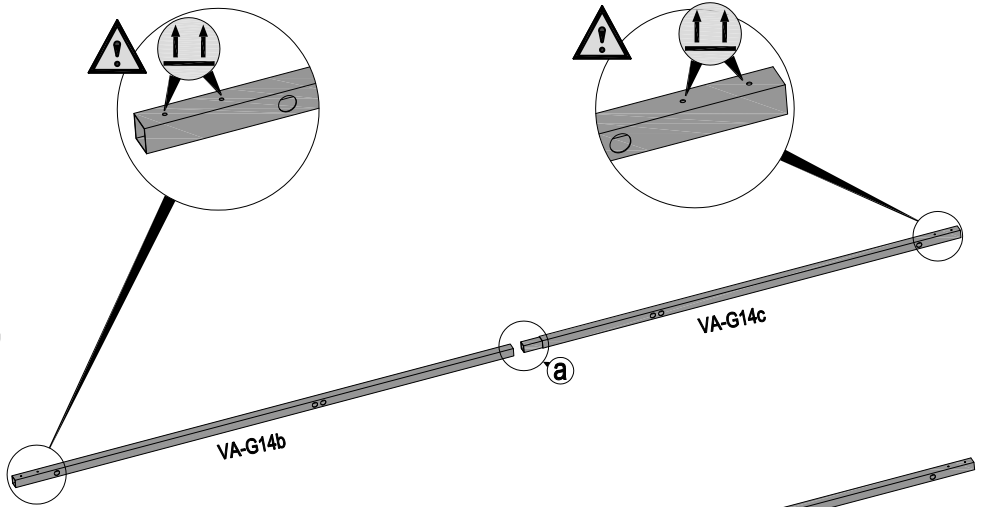
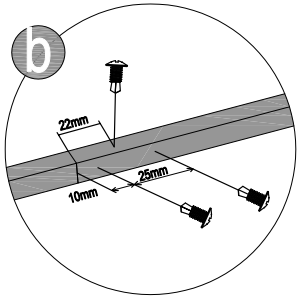
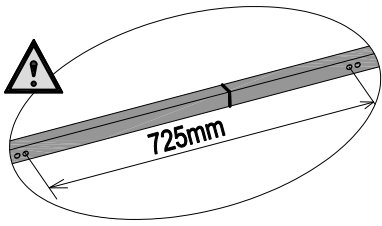
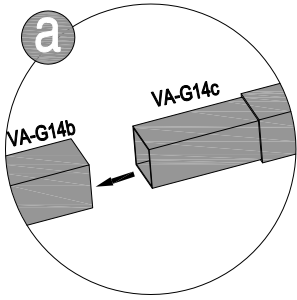


a

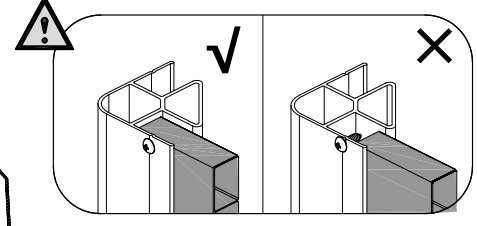
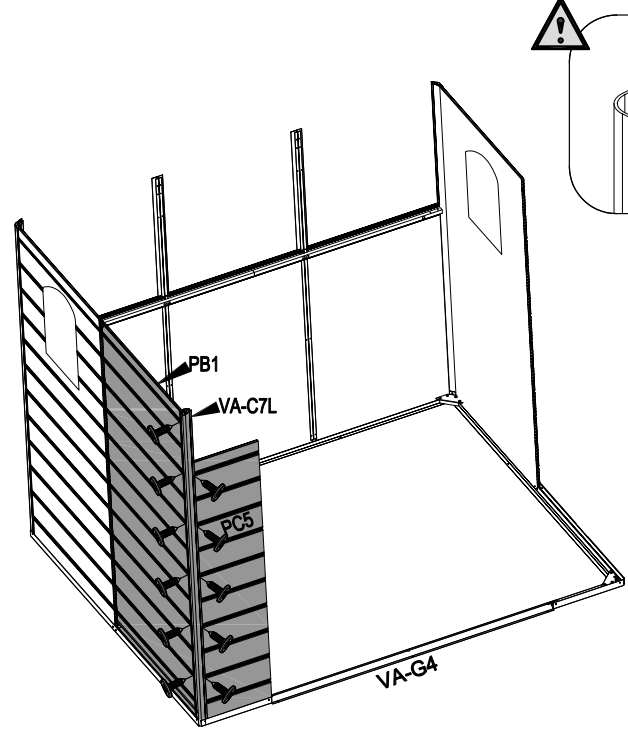
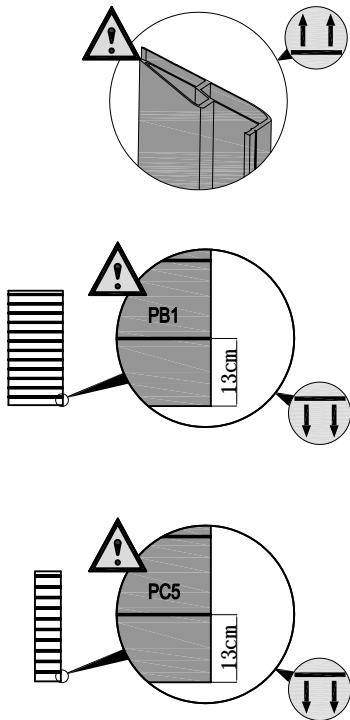


6

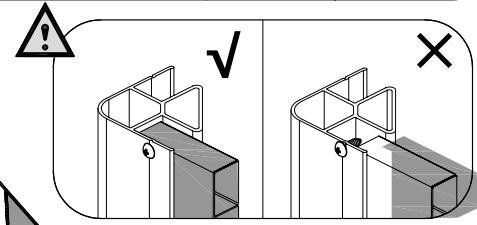
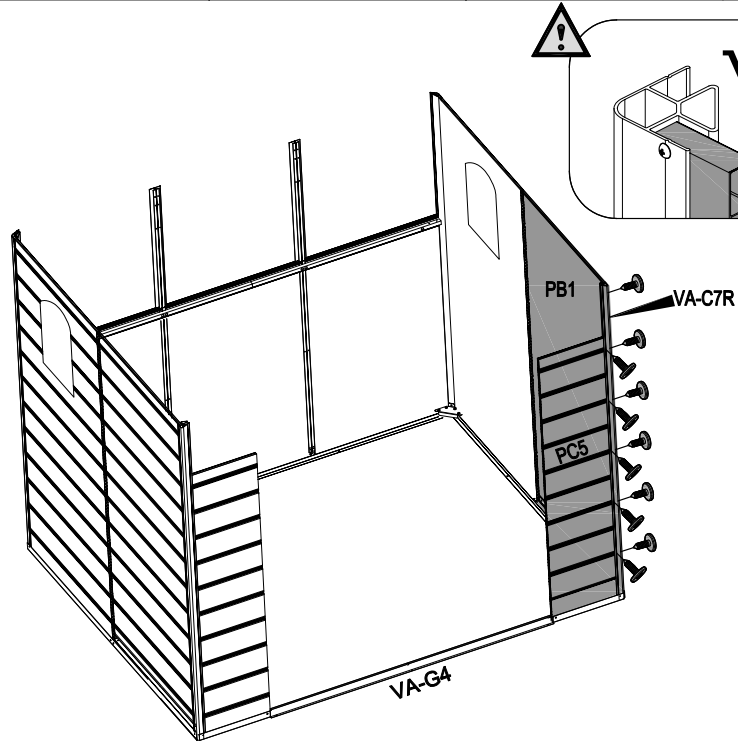
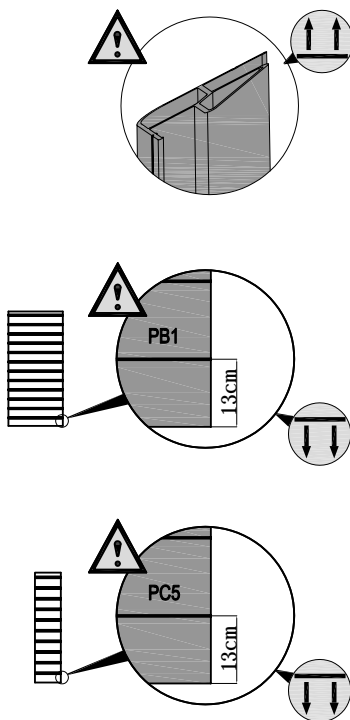
9	 VA-G14b [x1] 1200mm	 VA-G14c [x1] 1052mm	 VA-G46 [x8] 13mm			
---	---	---	--	--	--	--



10						
	VA-C7L [x1] 1860mm					



11						
	VA-C7R [x1] 1860mm					



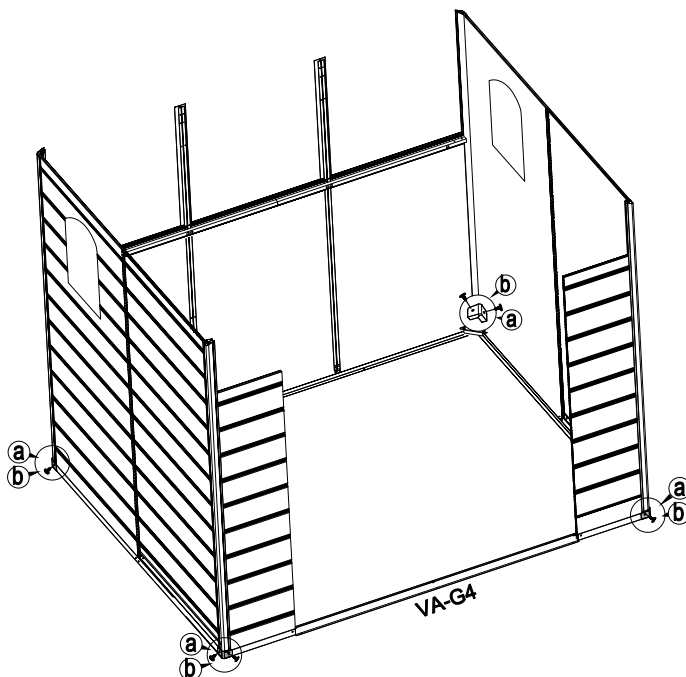
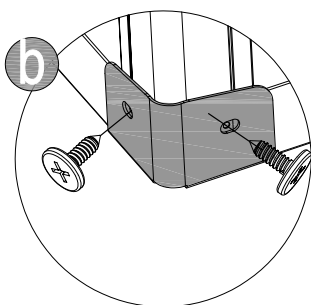
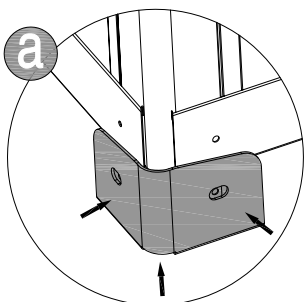
12



VA-31 [x4]



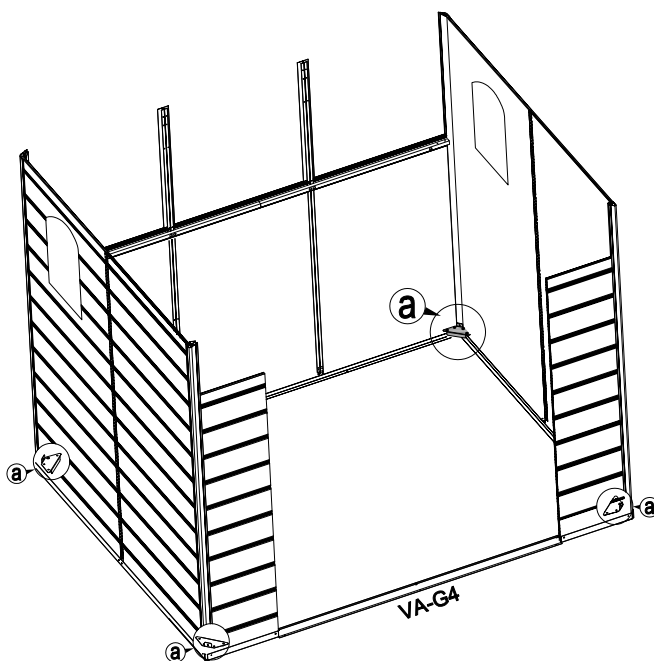
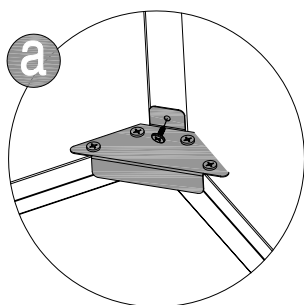
VA-G44 [x8]
13mm



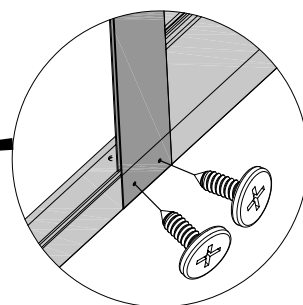
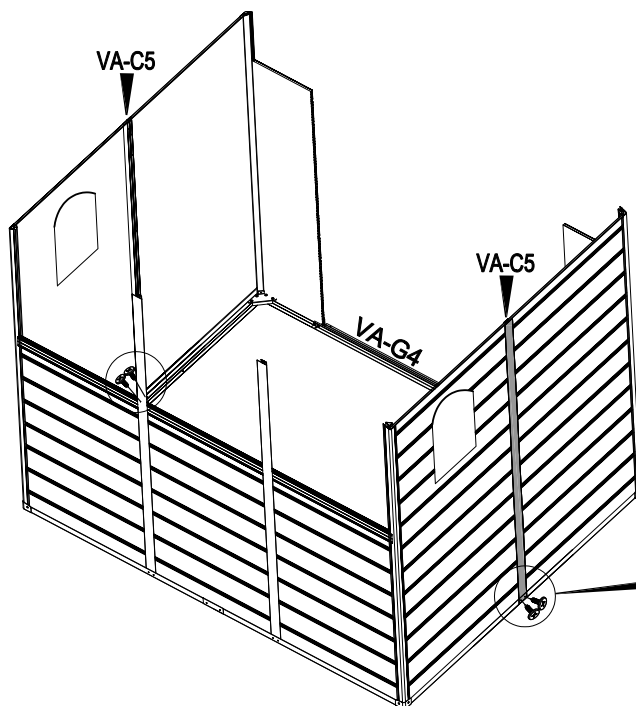
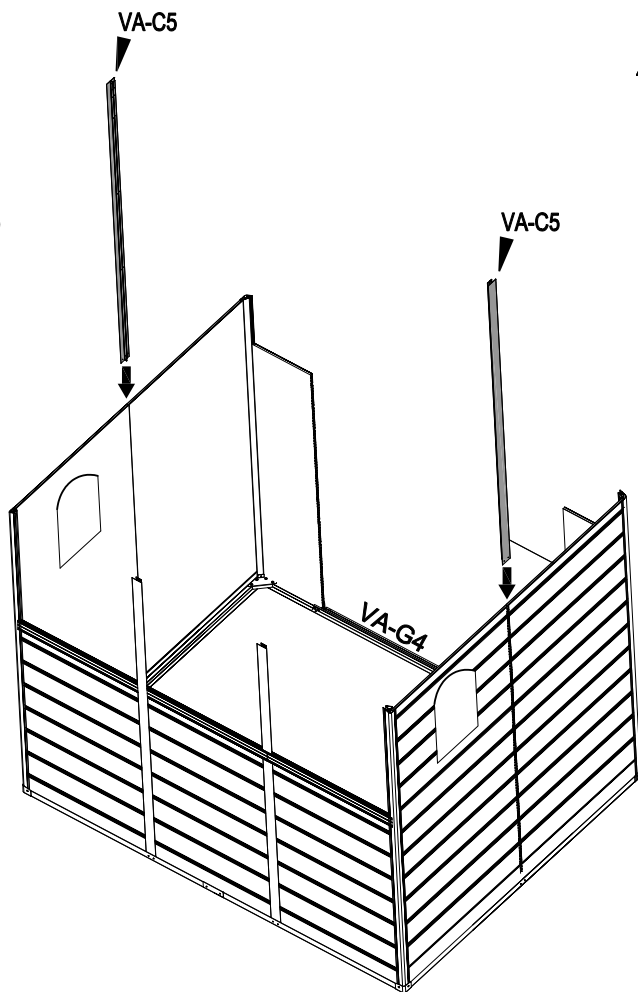
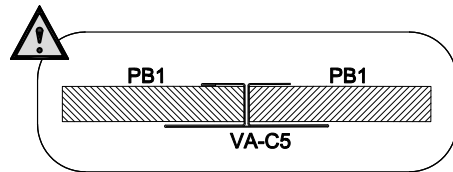
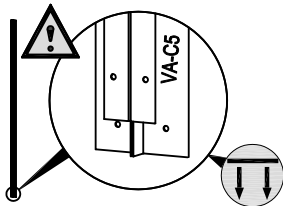
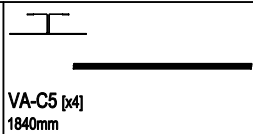
13



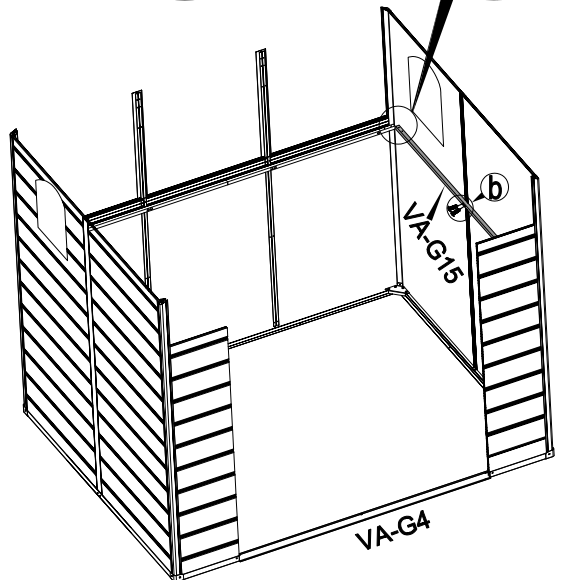
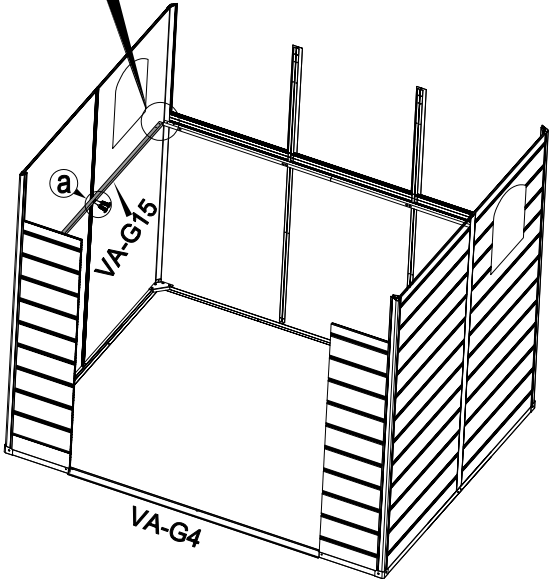
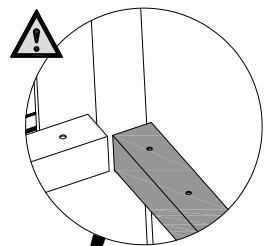
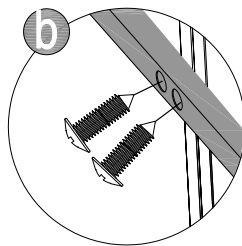
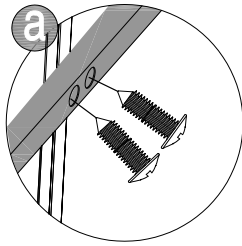
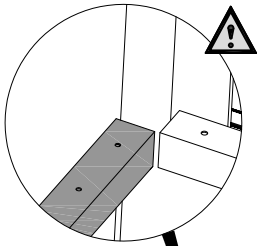
VA-G44 [x4]
13mm



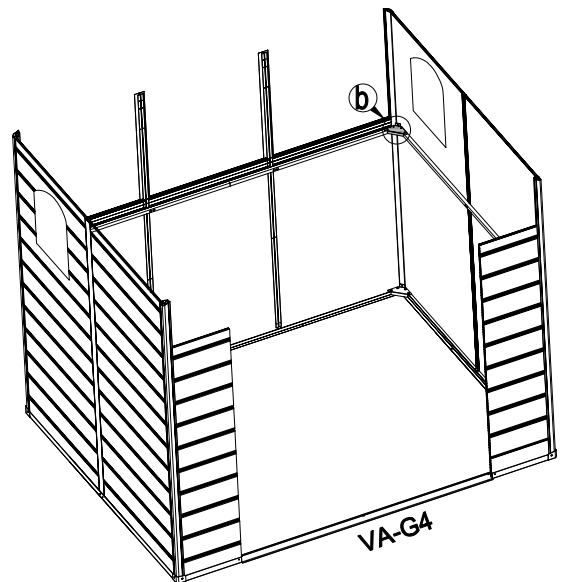
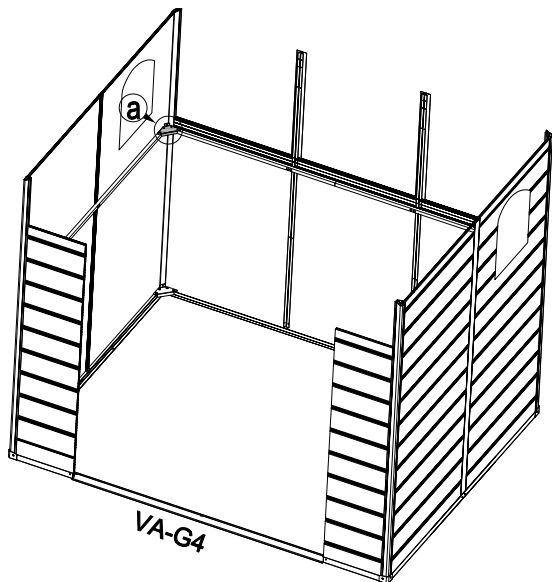
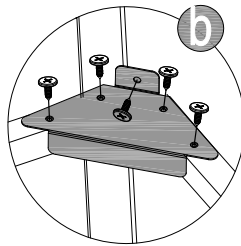
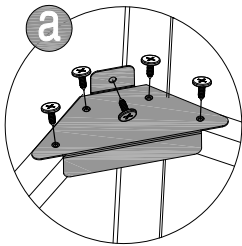
14



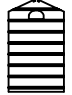




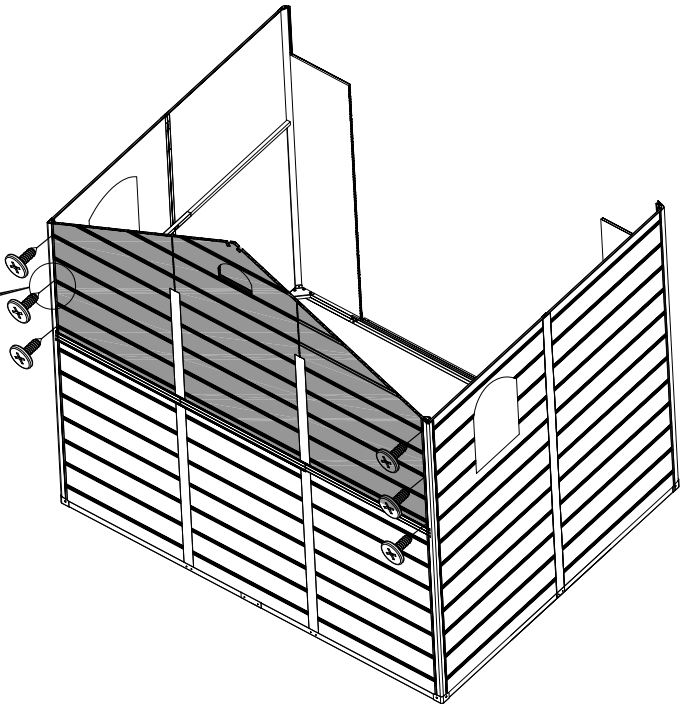
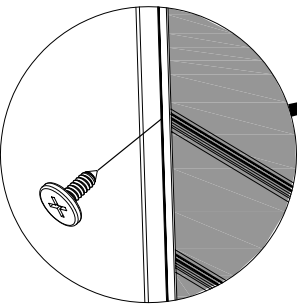
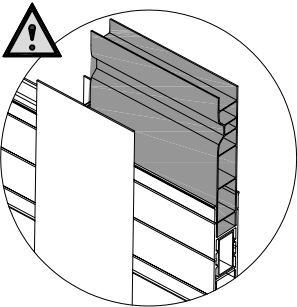
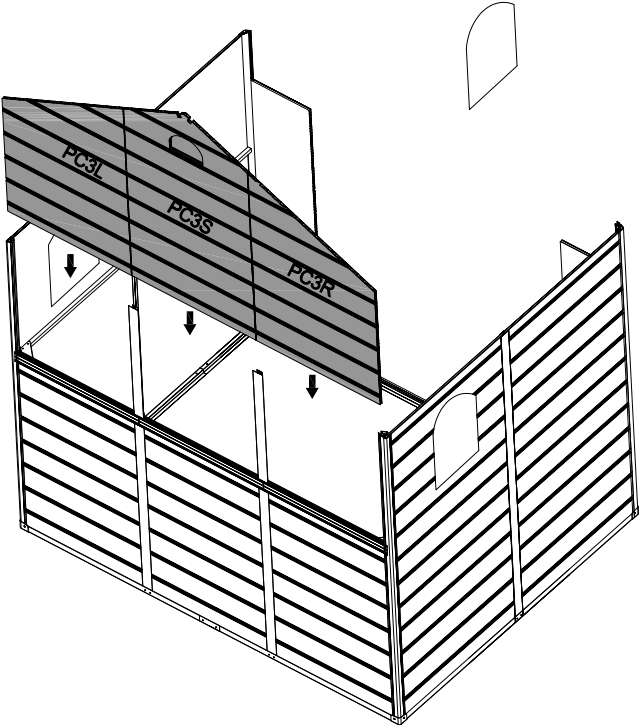
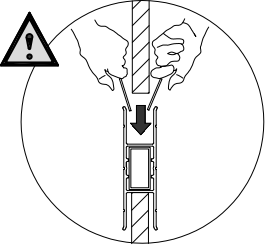
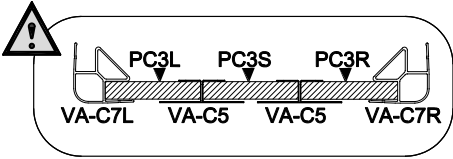
15		
	VA-G15 [x2] 1723mm	VA-G49 [x4] 13mm

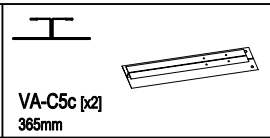
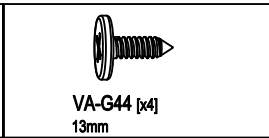



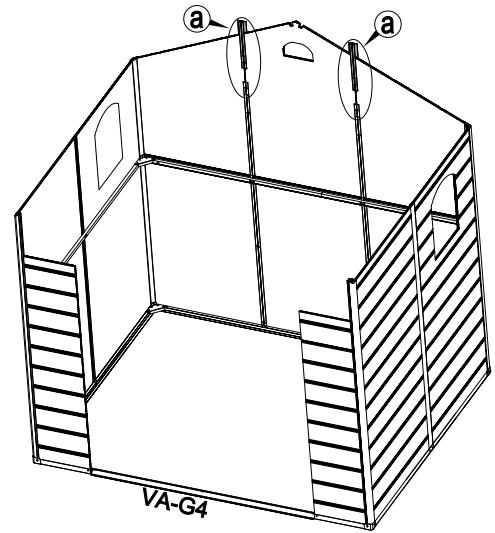
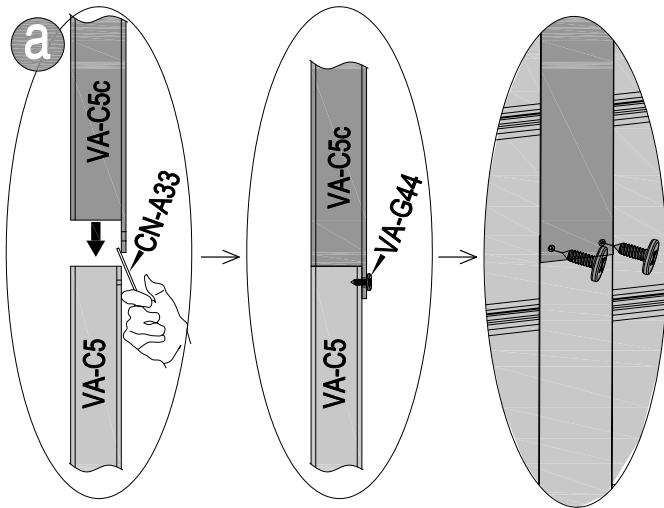
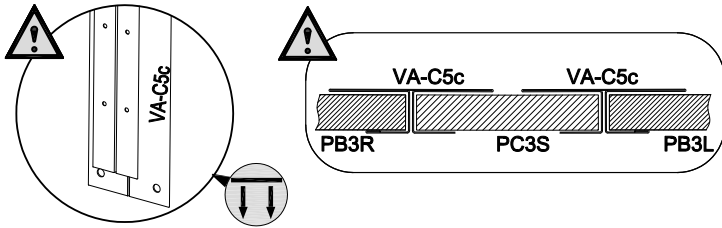
16		
	VA-30 [x2]	VA-G44 [x10] 13mm

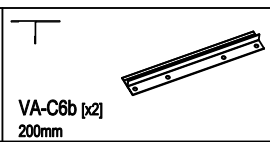



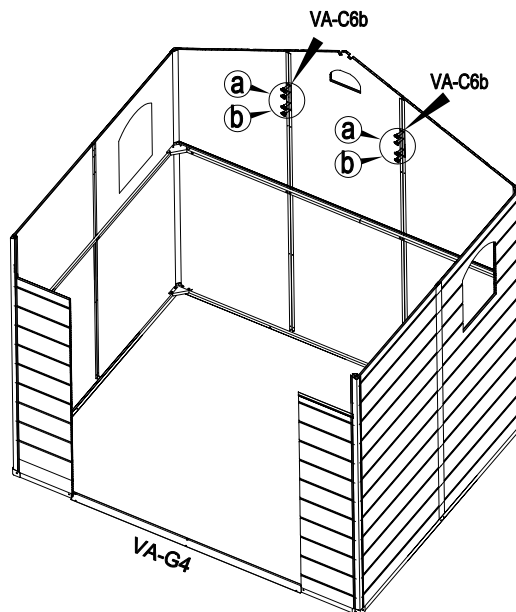
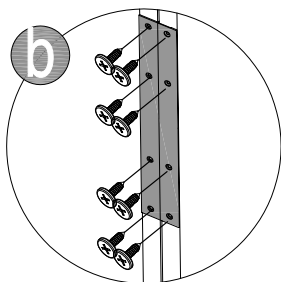
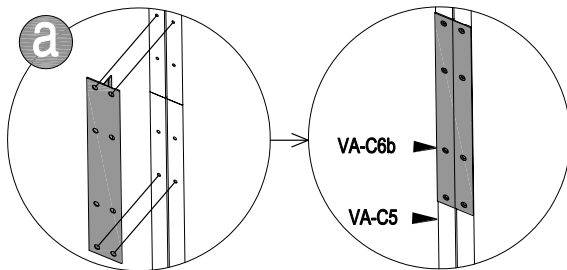
17	 PC3L [x1] 743x1072mm	 PC3R [x1] 743x1072mm	 PC3S [x1] 743x1248mm	 VA-G45 [x6] 19mm	 CN-A33
----	--	--	--	--	---



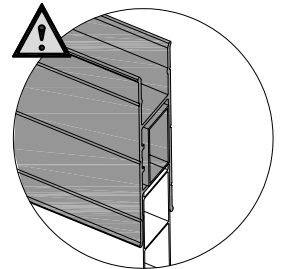
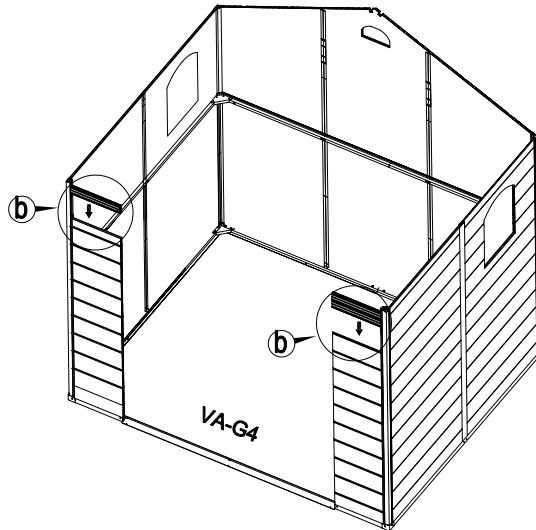
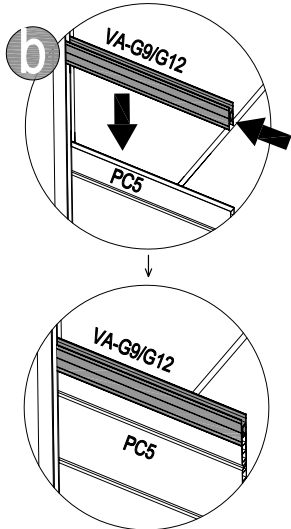
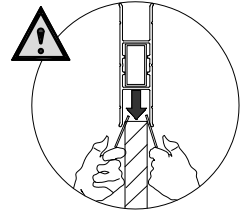
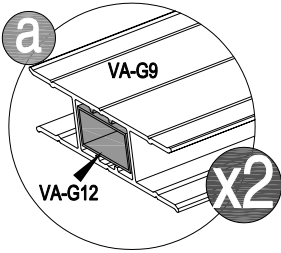
18	 VA-C5c [x2] 365mm	 VA-G44 [x4] 13mm	 CN-A33
-----------	---	--	--



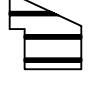





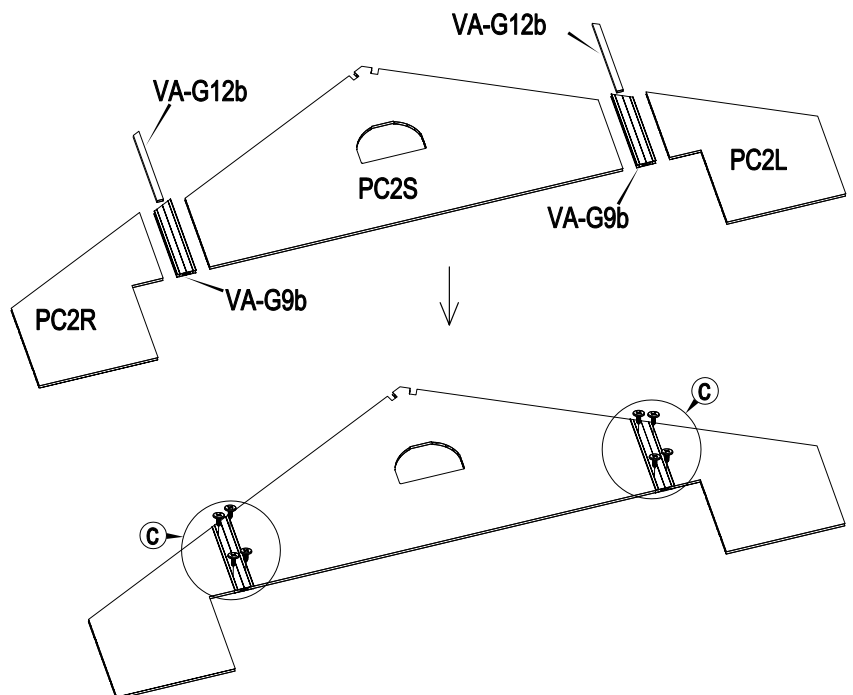
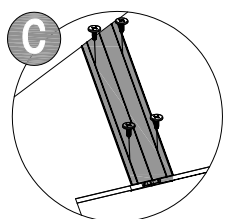
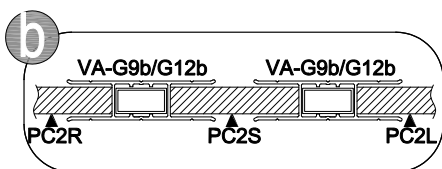
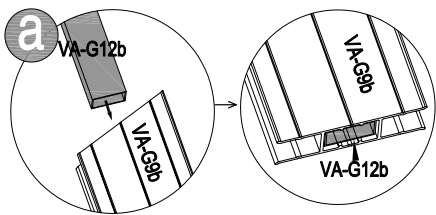
19	 VA-C6b [x2] 200mm	 VA-G44 [x16] 13mm	
-----------	---	---	--



20						
	VA-G9 [x2] 360mm	VA-G12 [x2] 360mm				



21						
	PC2S [x1] 1270x542mm	PC2L [x1] 461x492mm	PC2R [x1] 461x492mm	VA-G9b [x2] 254mm	VA-G12b [x2] 225mm	VA-G44 [x8] 13mm



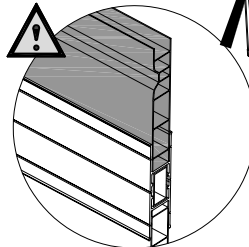
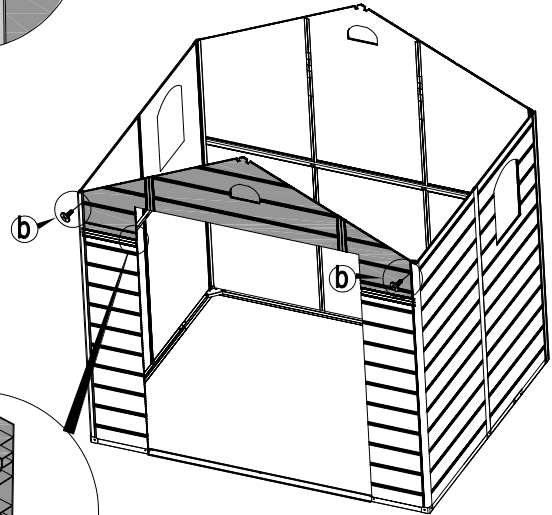
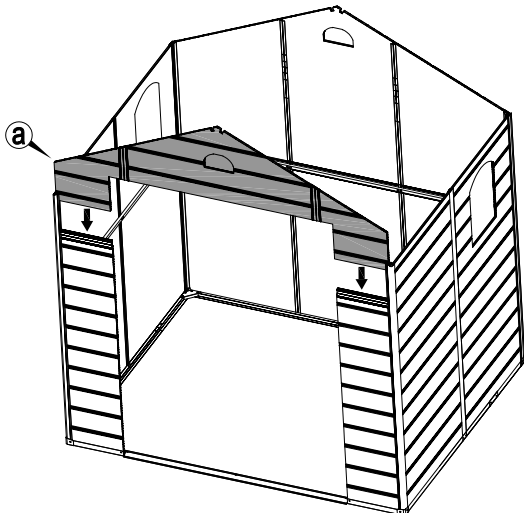
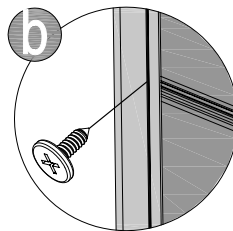
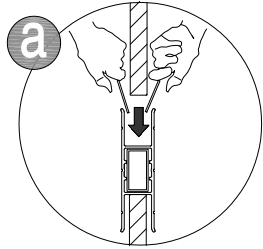
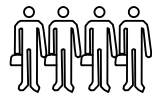
22



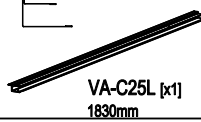
VA-G45 [x2]
13mm



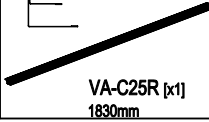
CN-A33



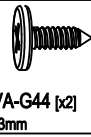
23



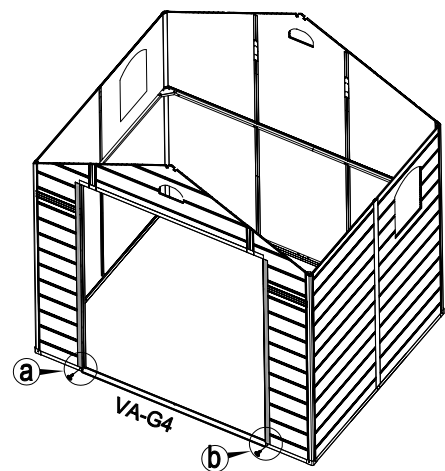
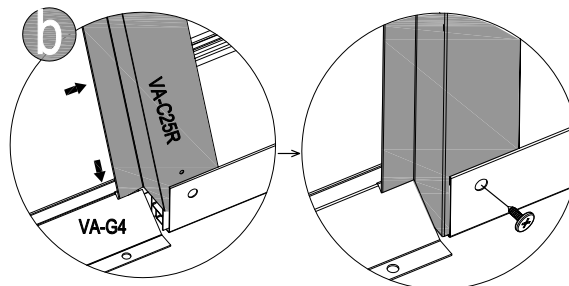
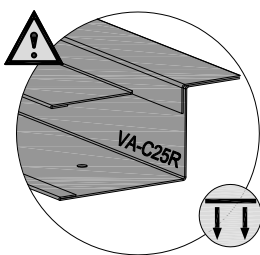
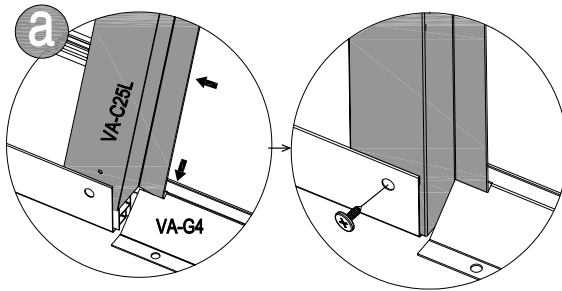
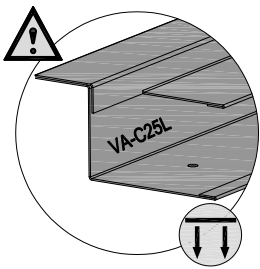
VA-C25L [x1]
1830mm



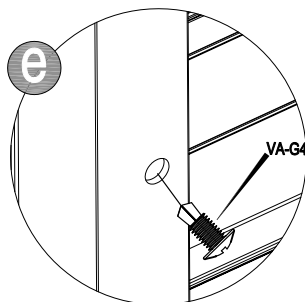
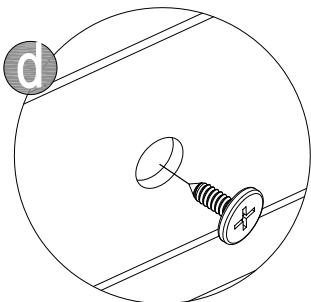
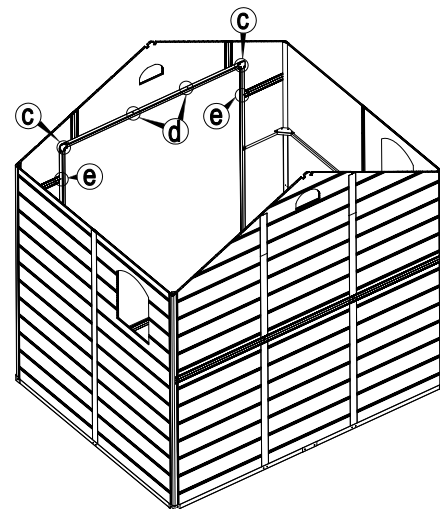
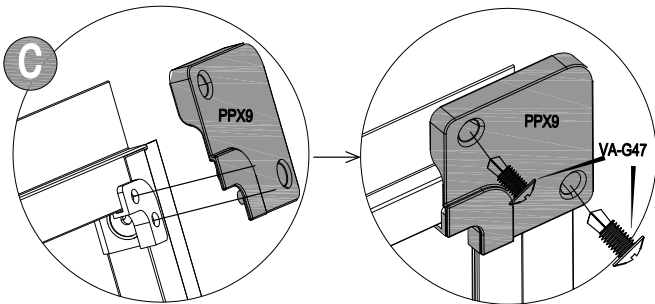
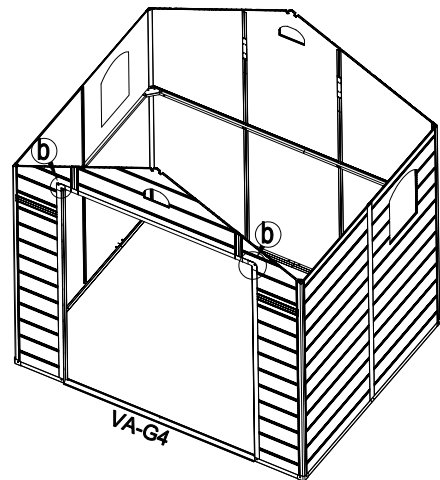
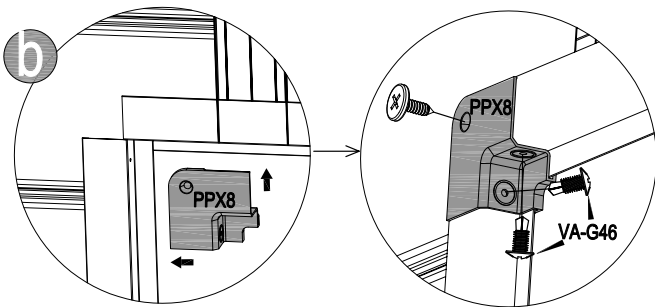
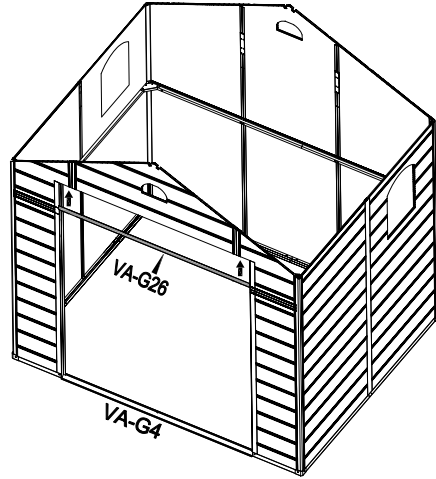
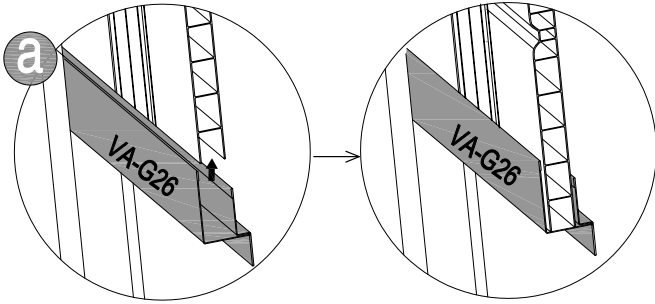
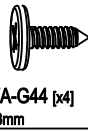
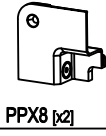
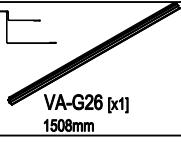
VA-C25R [x1]
1830mm

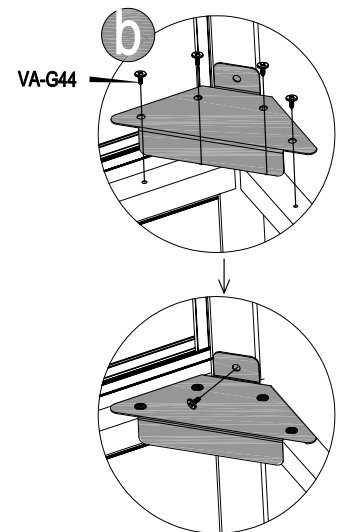
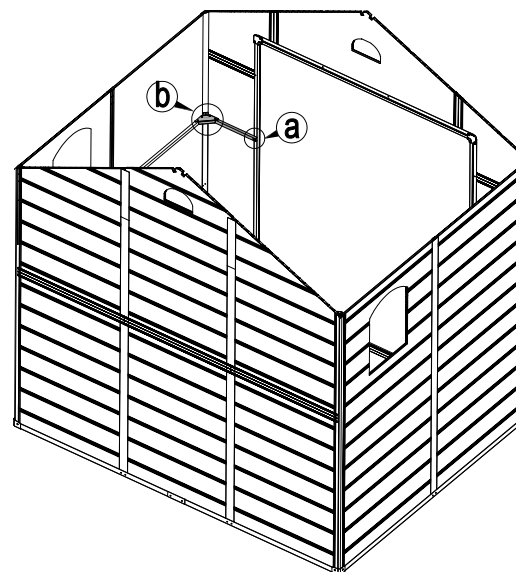
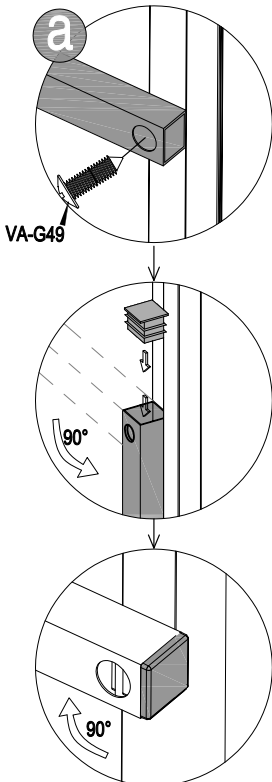
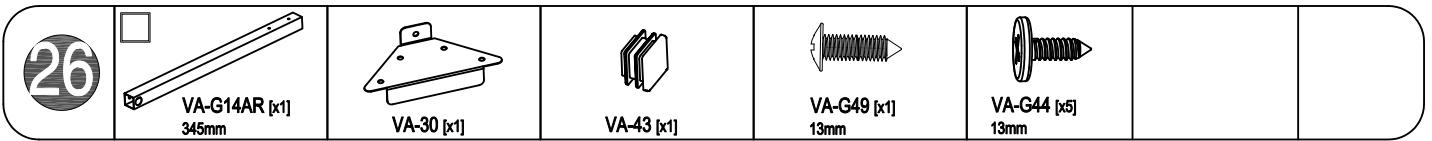
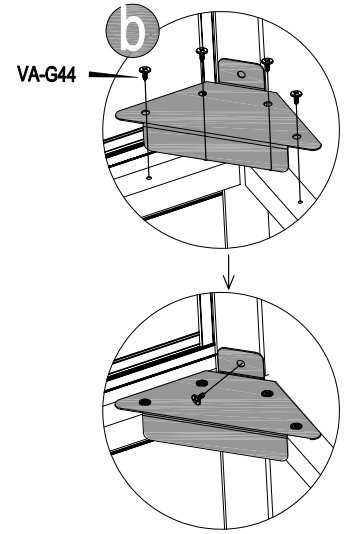
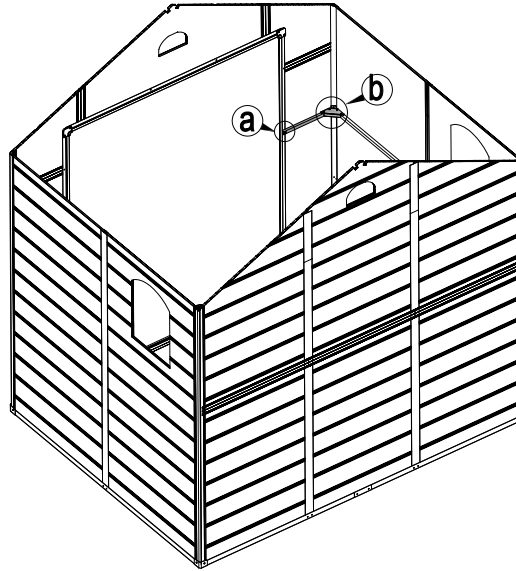
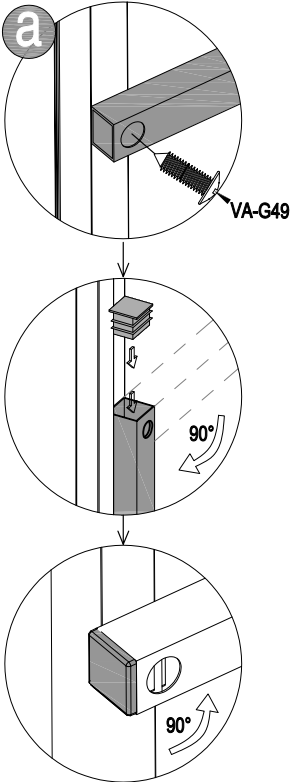
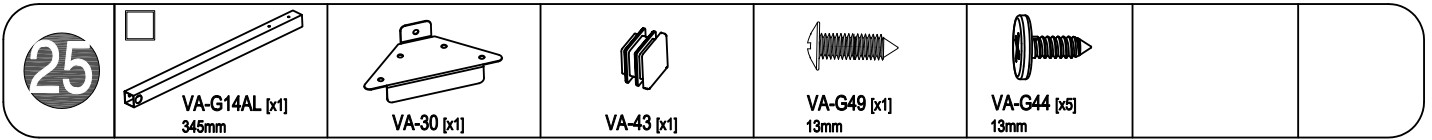


VA-G44 [x2]
13mm



24

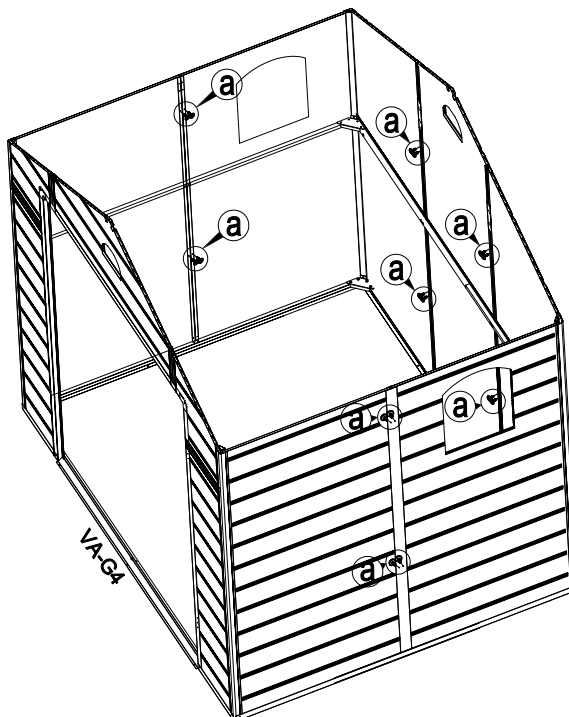
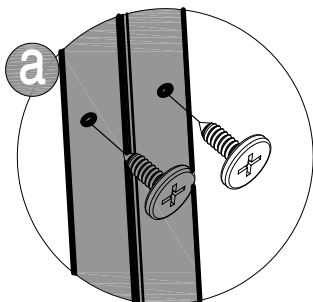




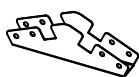
27



VA-G44 [x16]
13mm



28



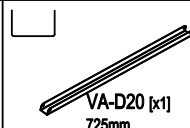
VA-34 [x1]



VA-33 [x2]



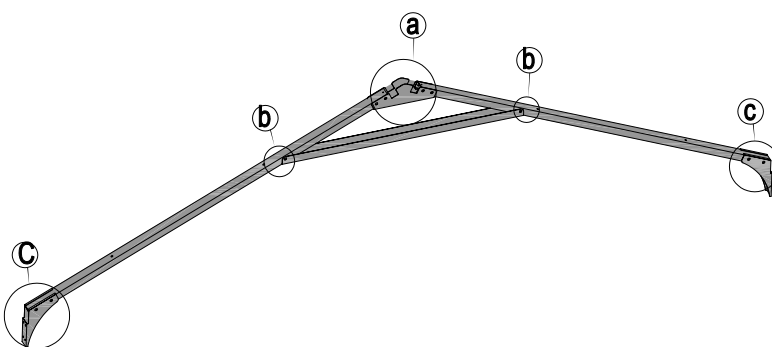
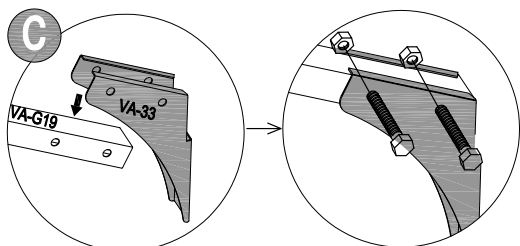
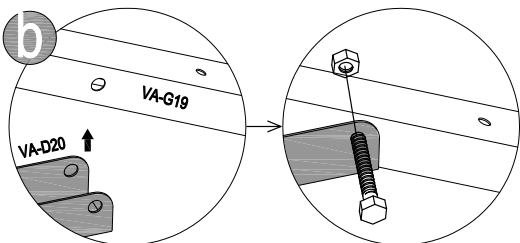
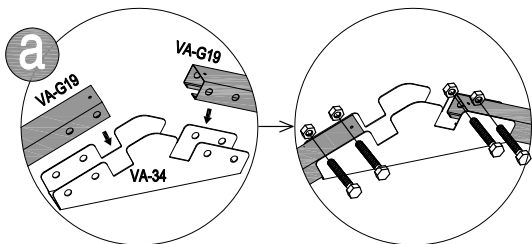
VA-G19 [x2]
1181mm



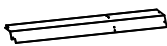
VA-D20 [x1]
725mm



VA-G50 [x10]
40mm



29



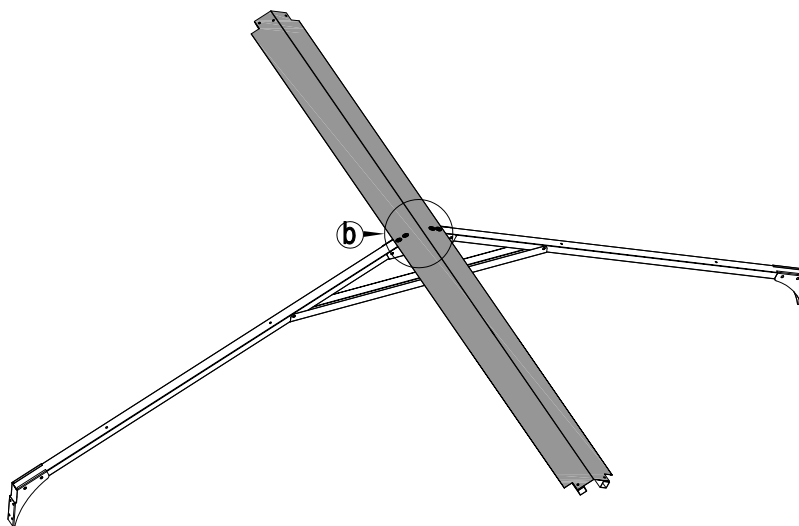
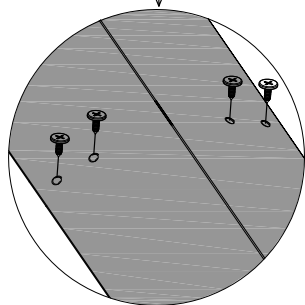
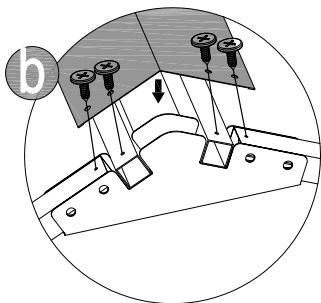
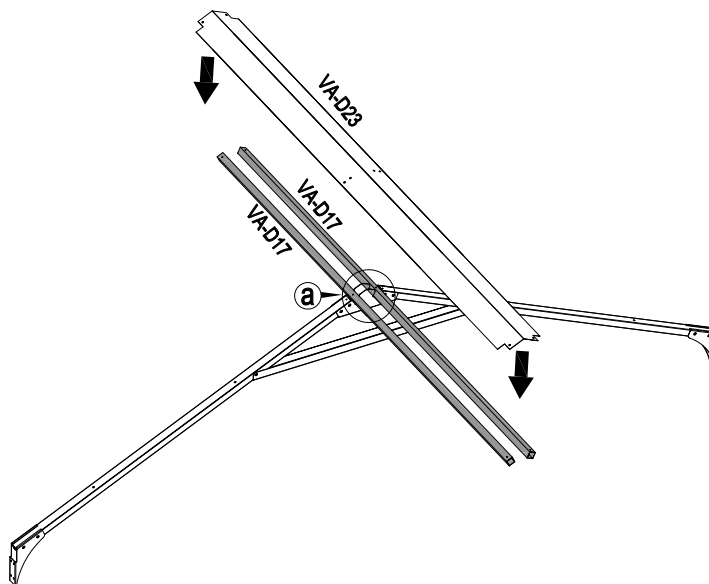
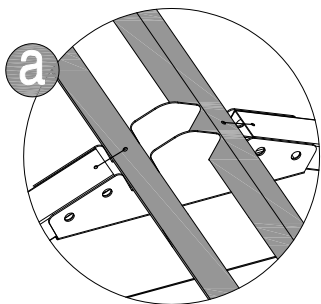
VA-D23 [x1]
1797mm



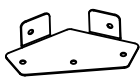
VA-D17 [x2]
1797mm



VA-G44 [x4]
13mm



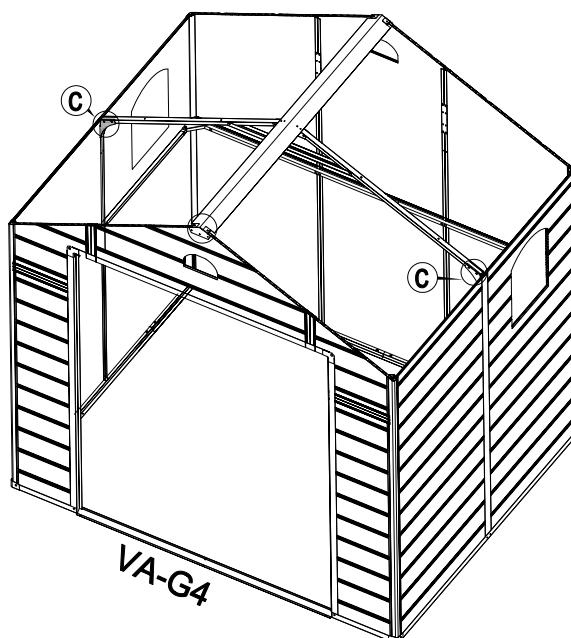
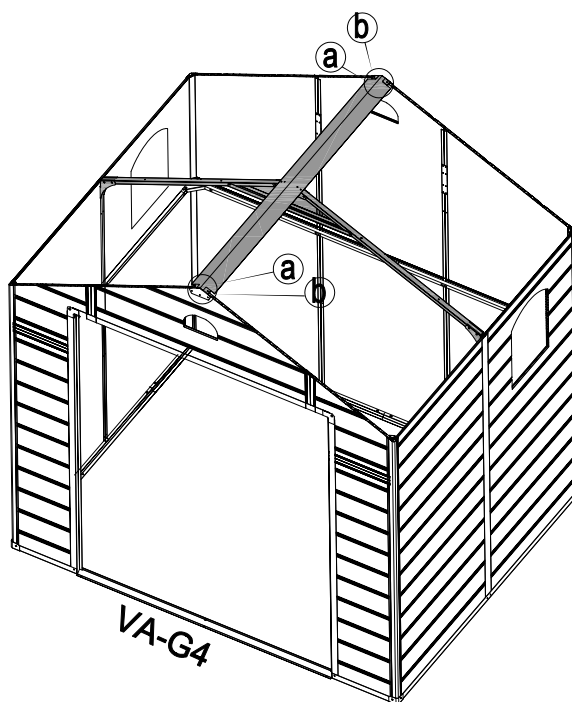
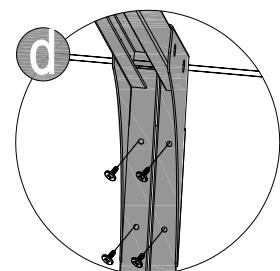
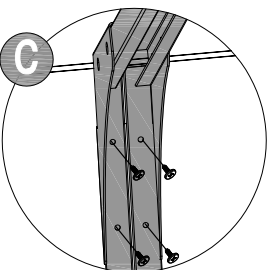
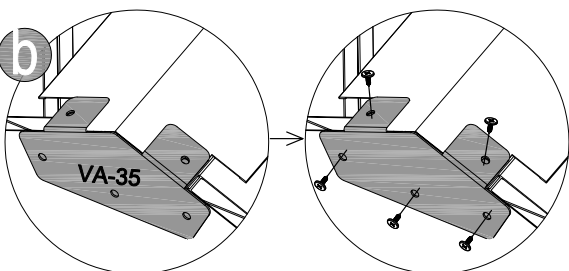
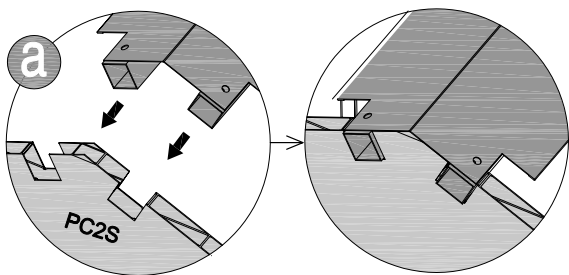
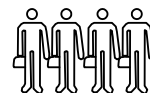
30




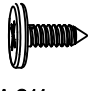
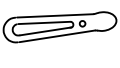


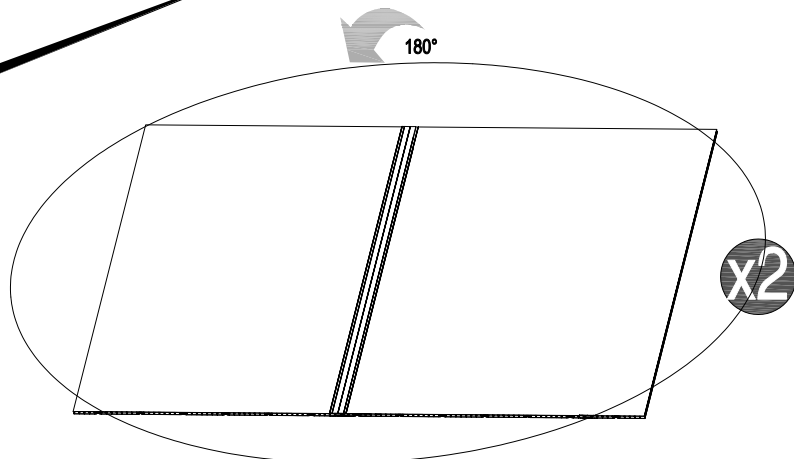
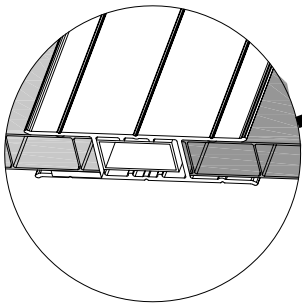
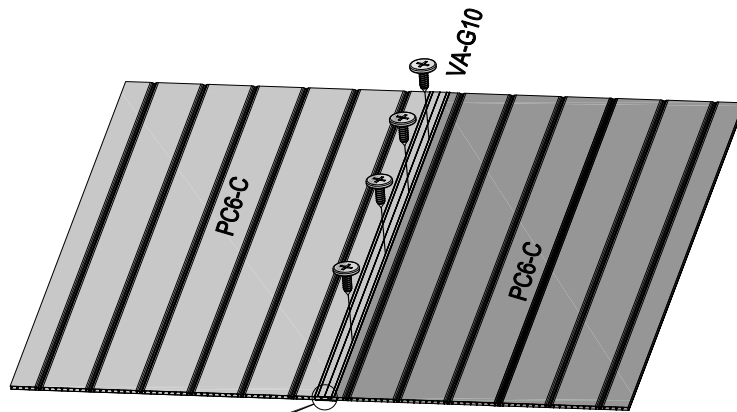
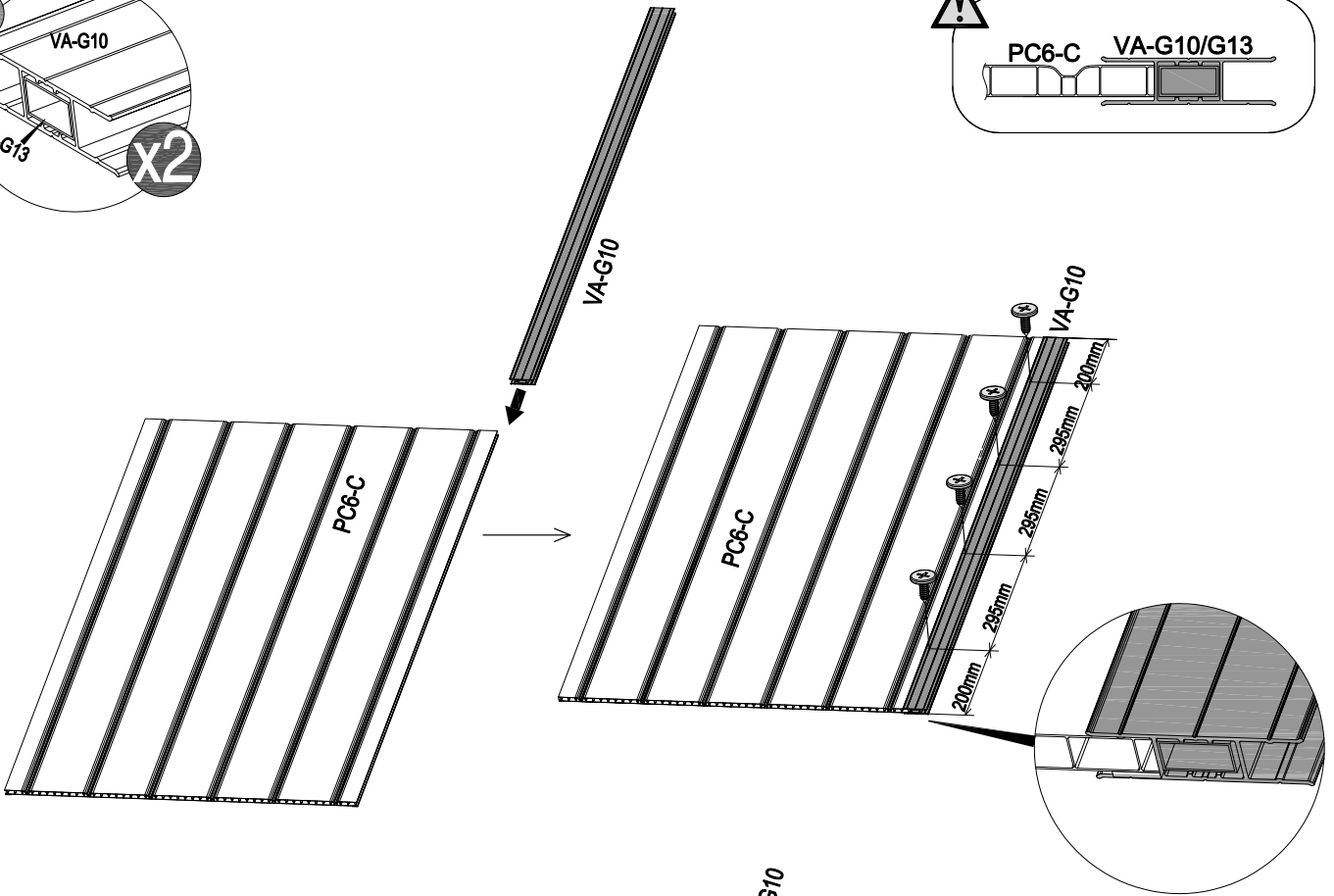
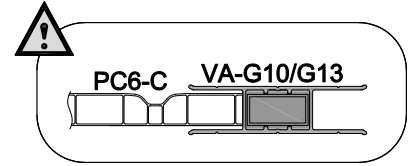
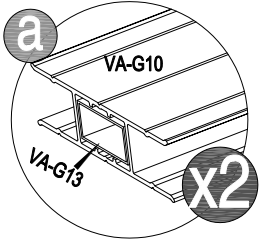
VA-35 [x2]



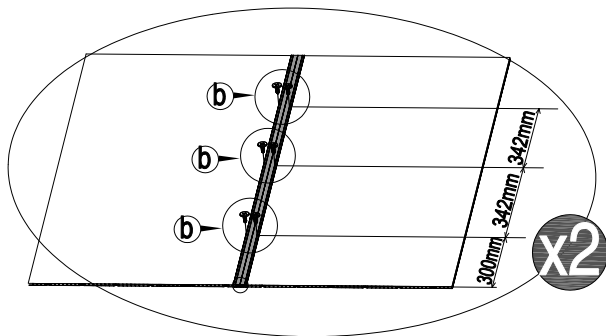
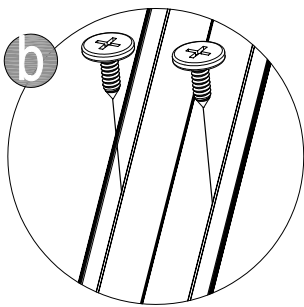
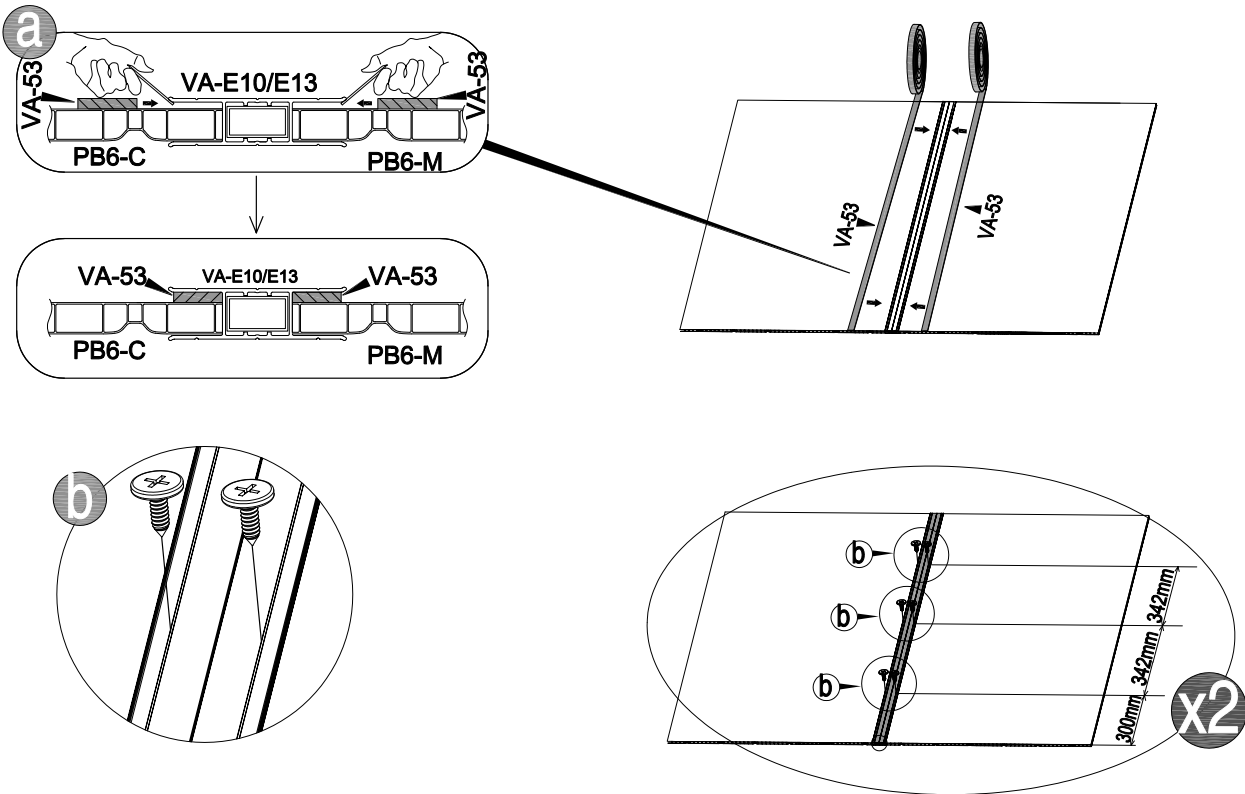
VA-G44 [x18]
13mm





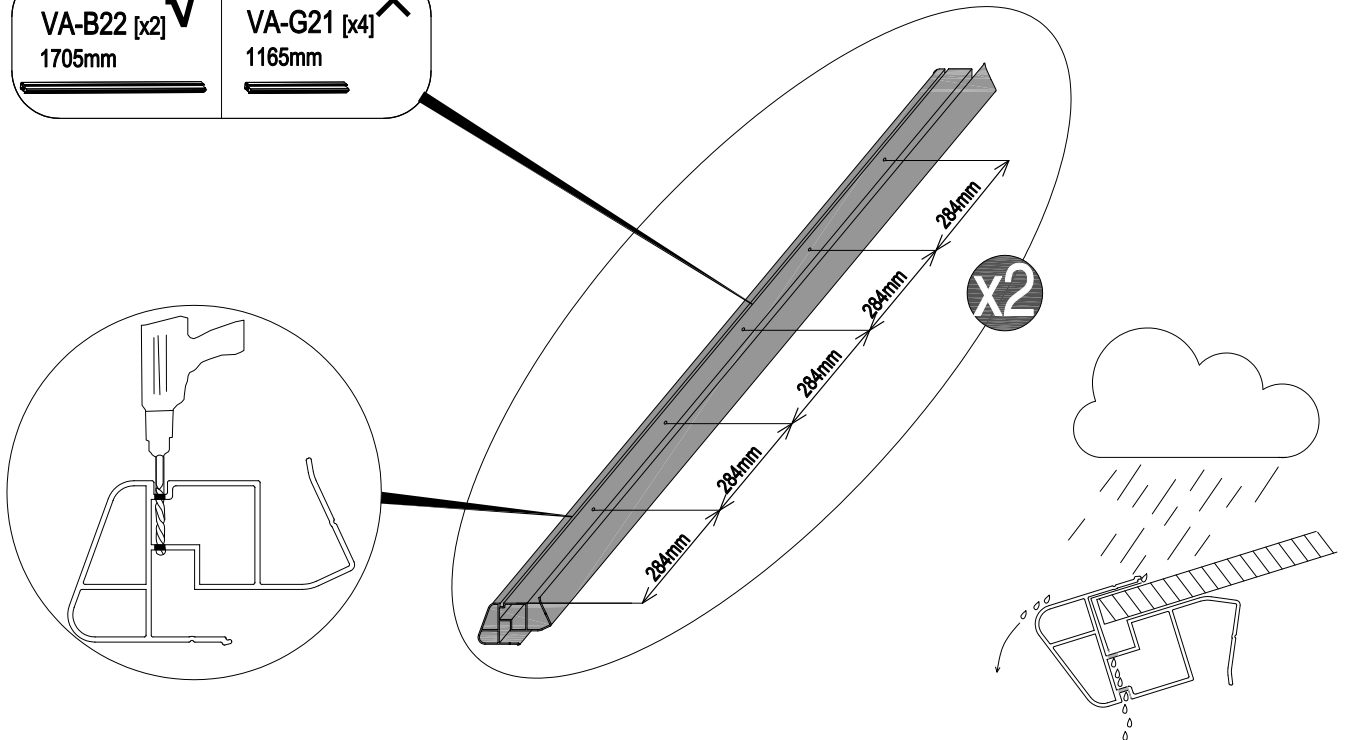
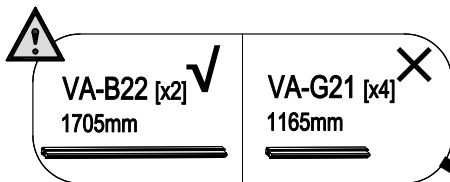
31	 PC6-C [x4] 1285x920mm	 VA-G10 [x2] 1285mm	 VA-G13 [x2] 1285mm	 VA-G44 [x16] 13mm	 CN-A33
----	--	---	---	--	--







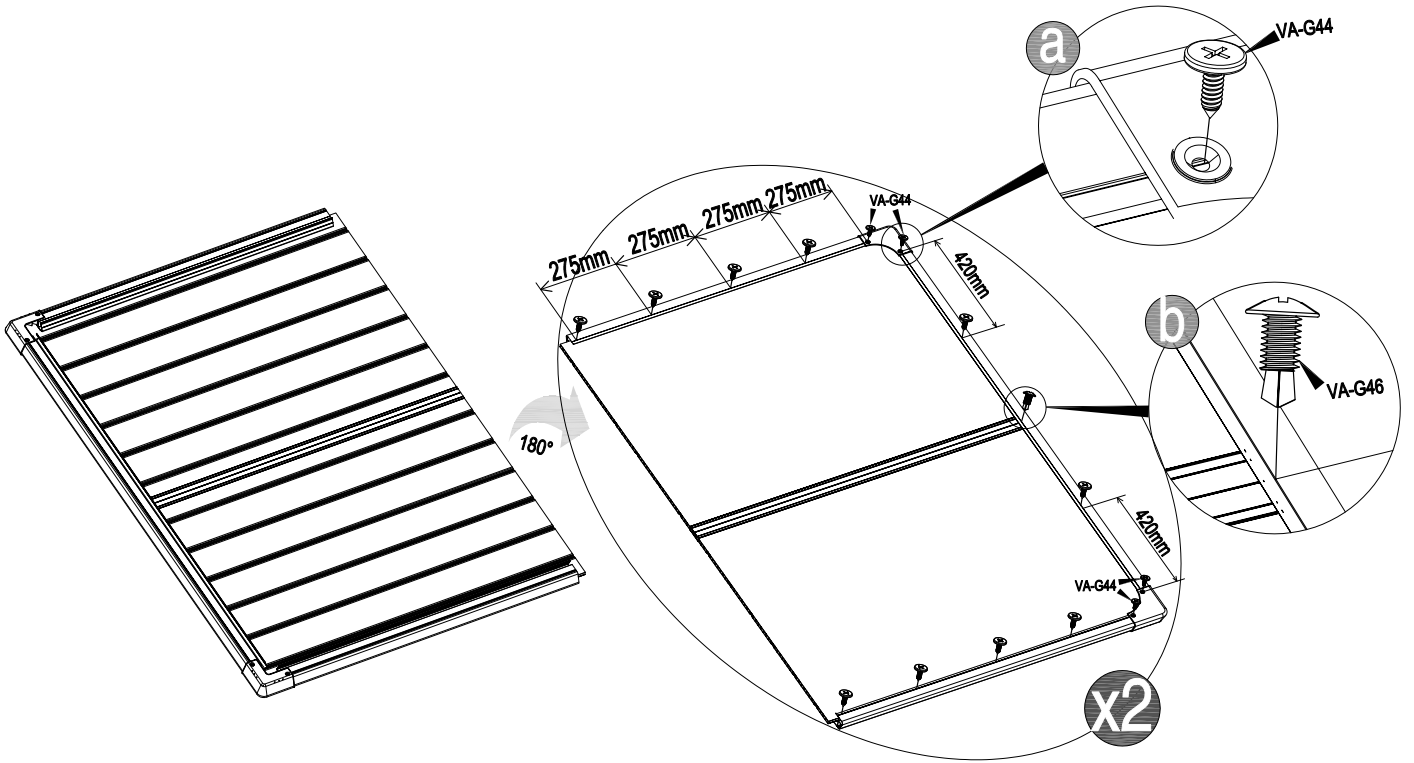
32	 VA-53 [x1]	 VA-G44 [x12] 12mm	 CN-A33
-----------	---	---	---


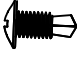



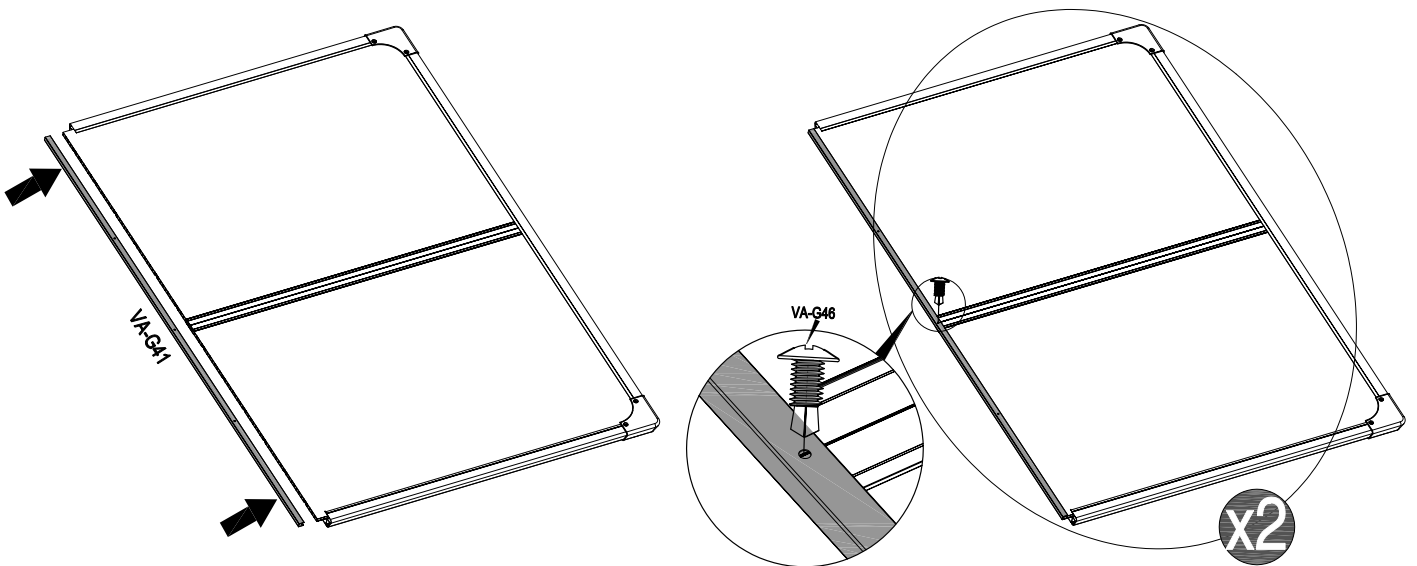
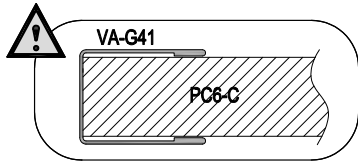
33	 VA-B22 [x2] 1705mm	 Ø8mm		
-----------	--	---	--	--

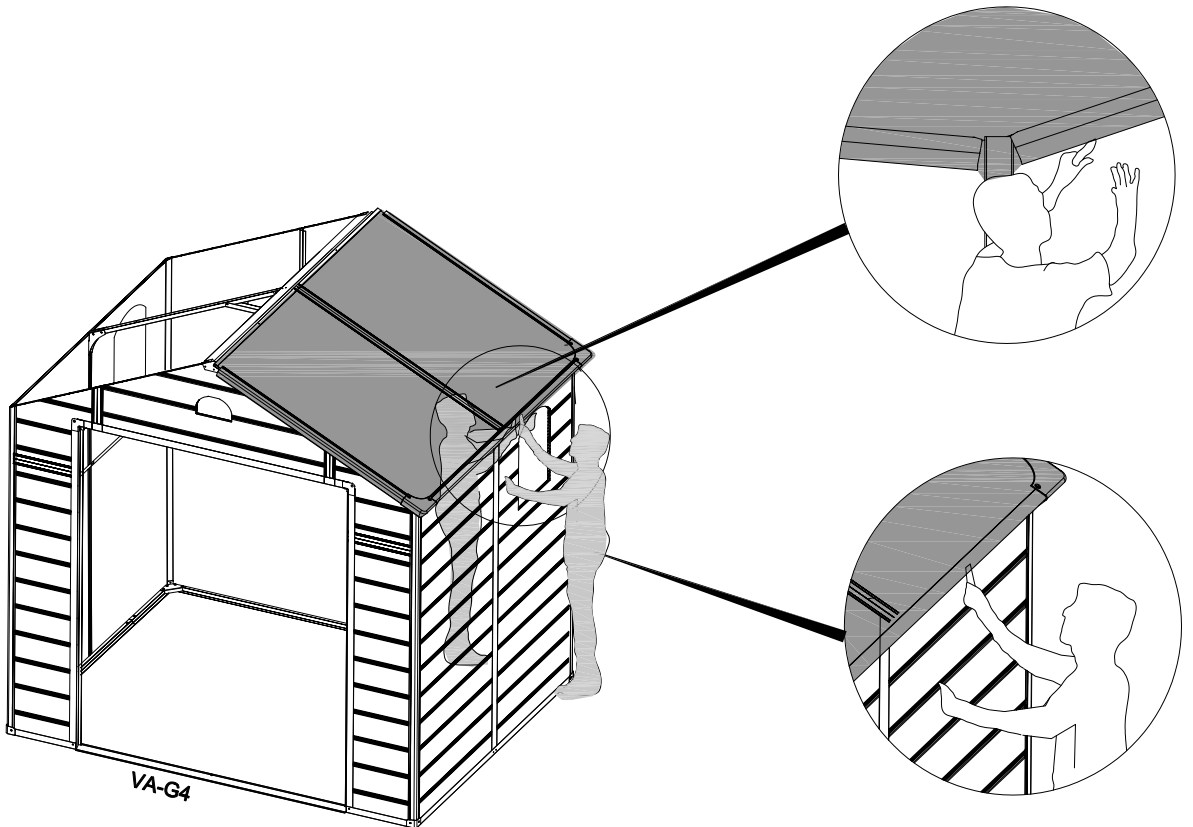
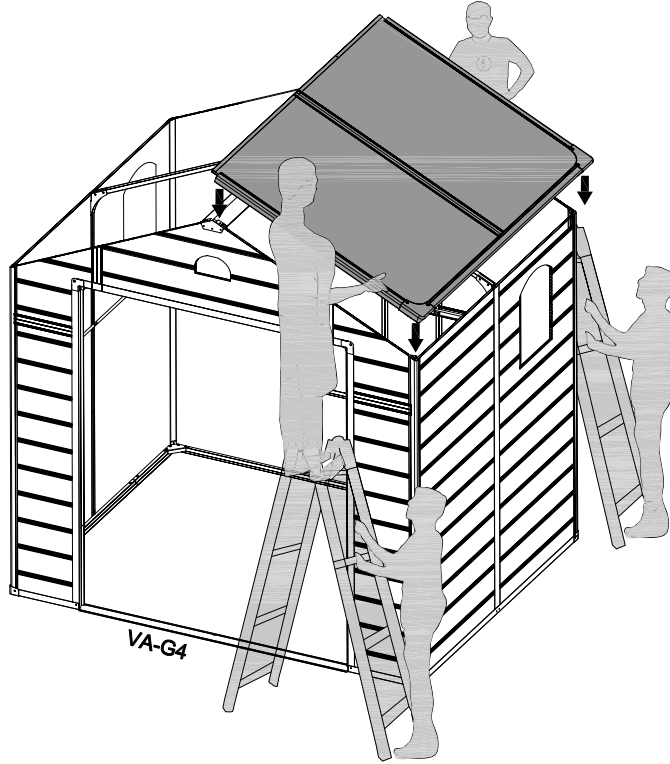
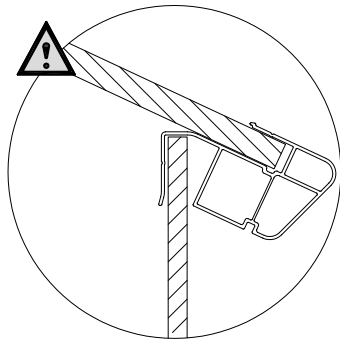
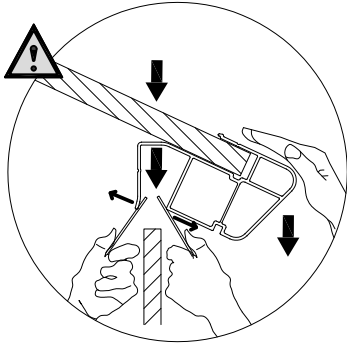
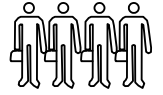


36	 VA-G44 [x8] 13mm	 VA-G45 [x20] 19mm	 VA-G46 [x2] 13mm	 CN-A33
----	--	---	--	---



37	 VA-G41 [x2] 1864mm	 VA-G46 [x2] 13mm		 CN-A33
----	--	--	--	---

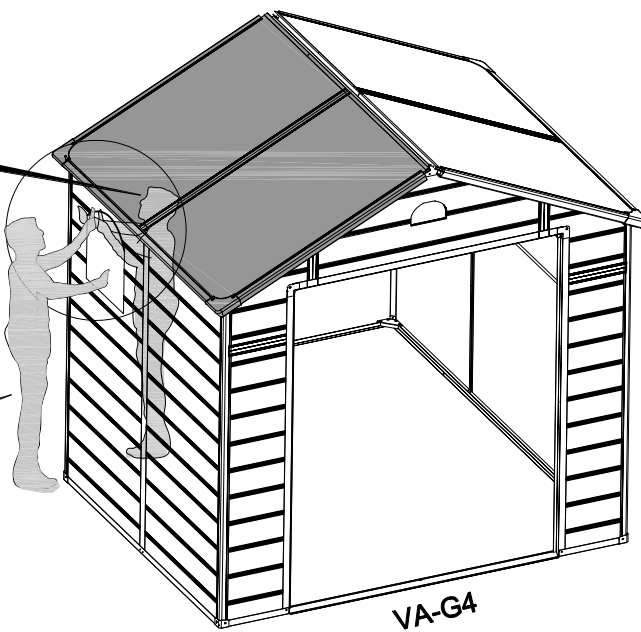
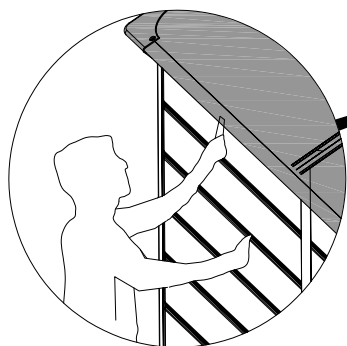
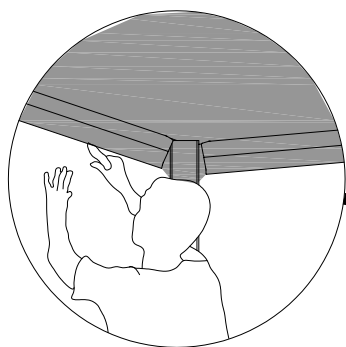
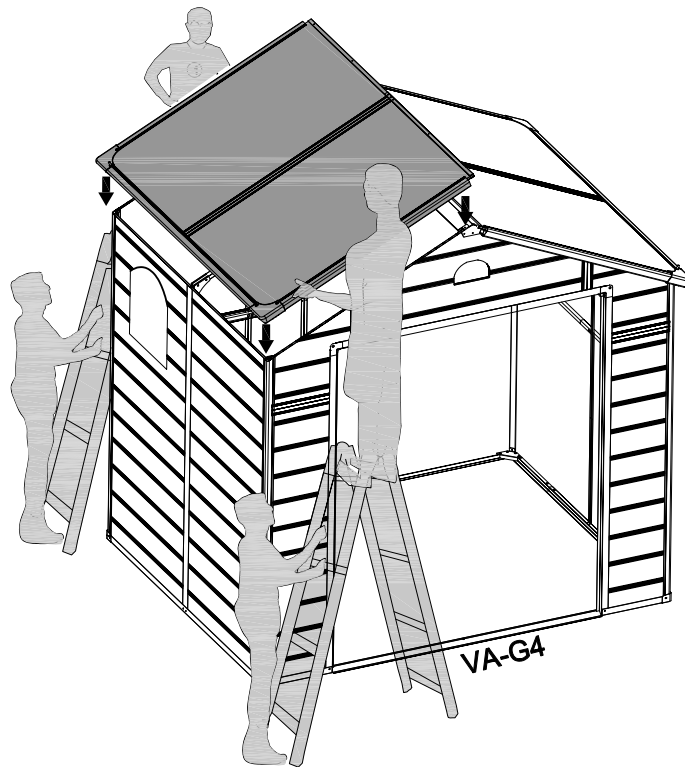
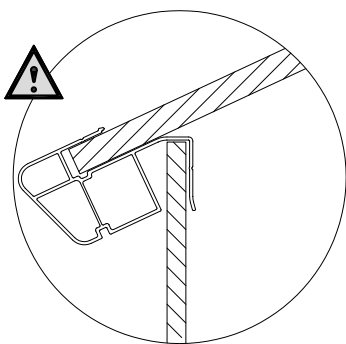
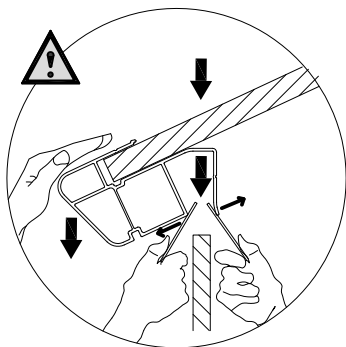
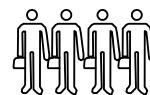




39



CN-A33



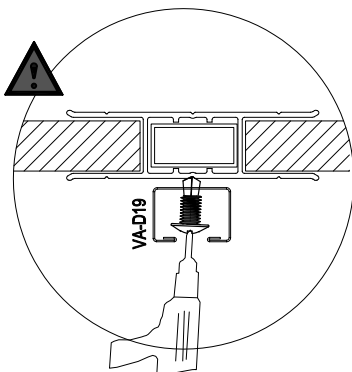
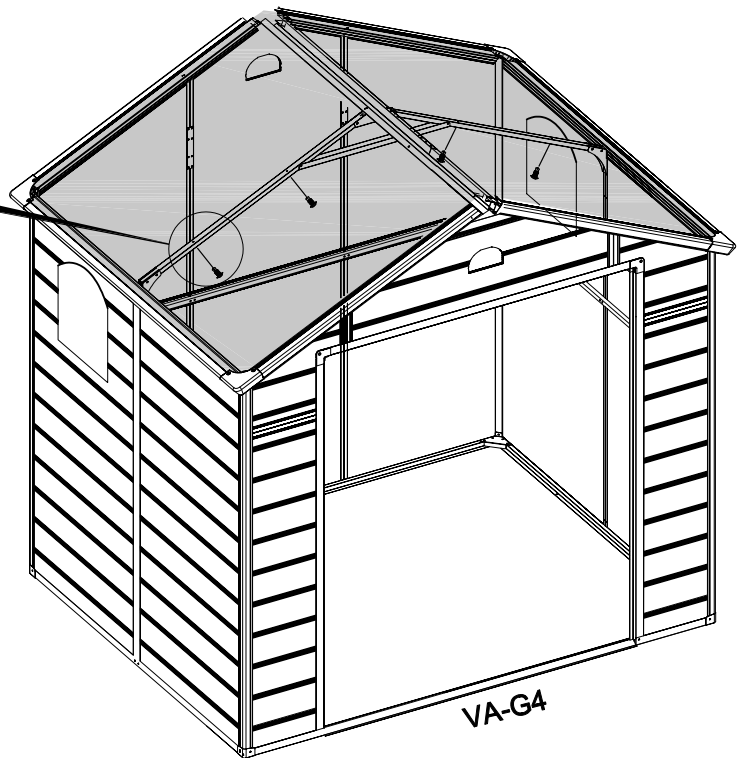
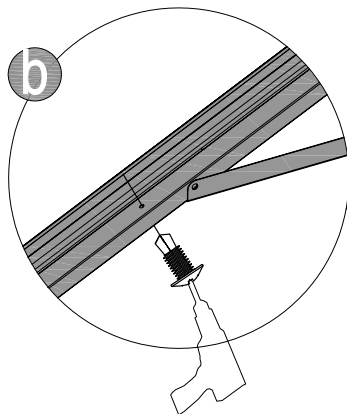
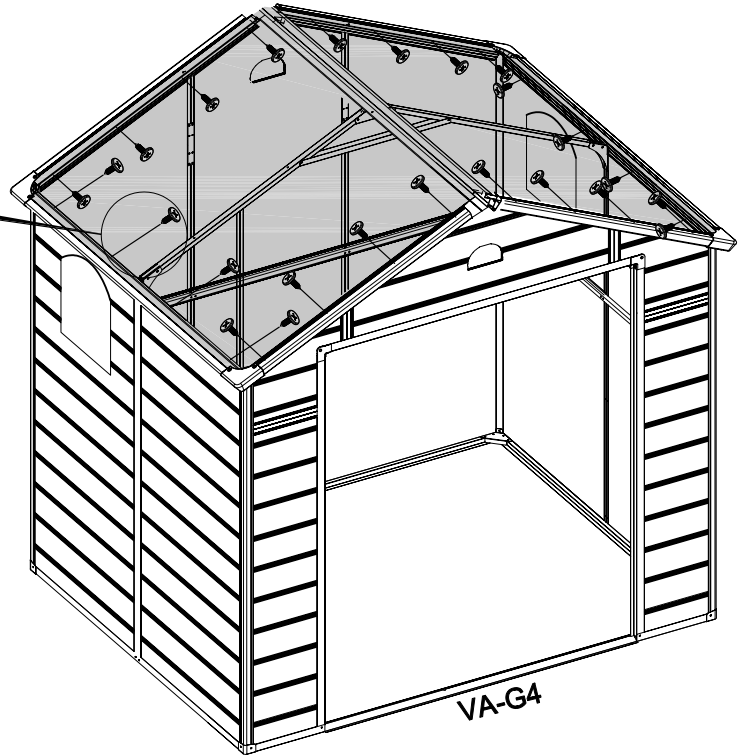
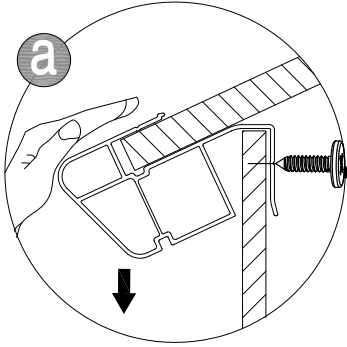
40



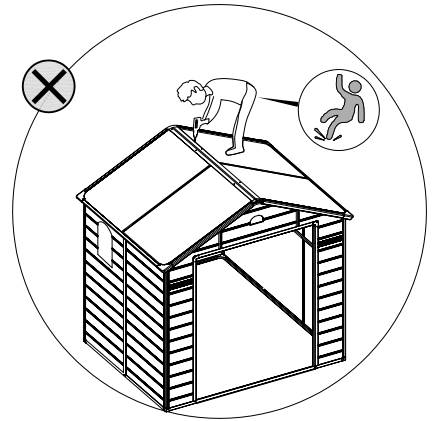
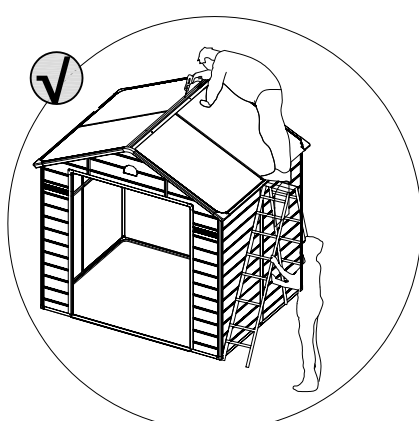
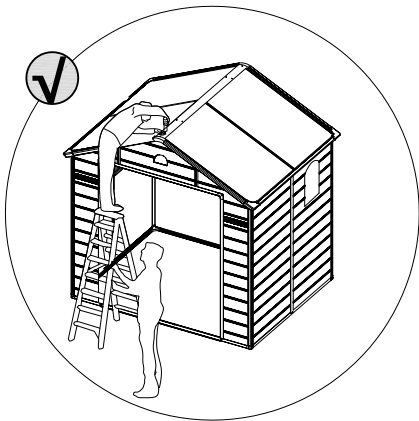
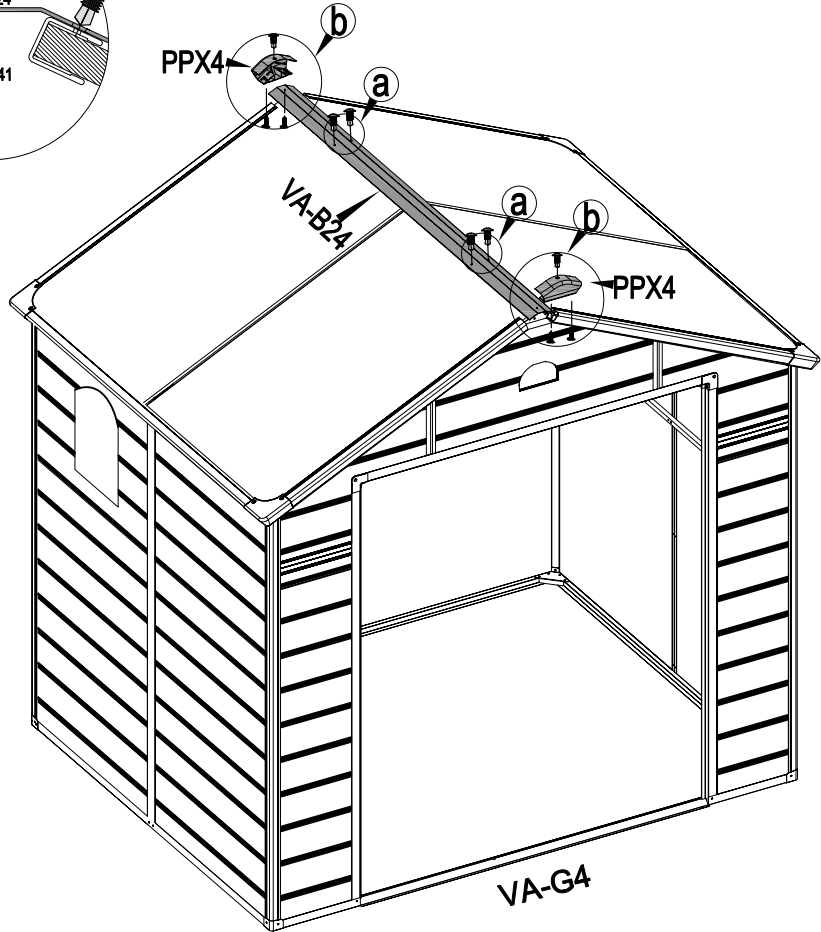
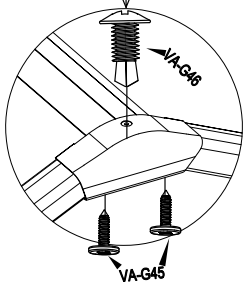
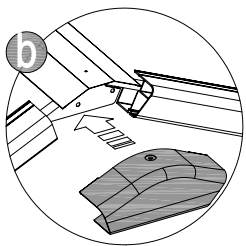
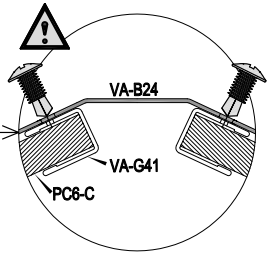
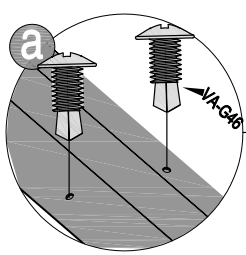
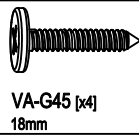
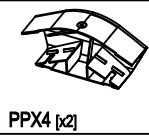
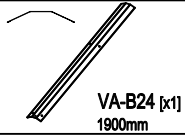
VA-G45 [x24]
19mm



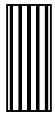
VA-G46 [x4]
13mm



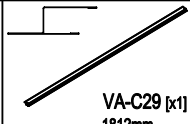
41



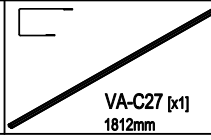
42



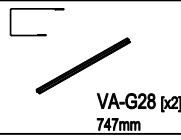
PC7S [x1]
1810x746mm



VA-C29 [x1]
1812mm



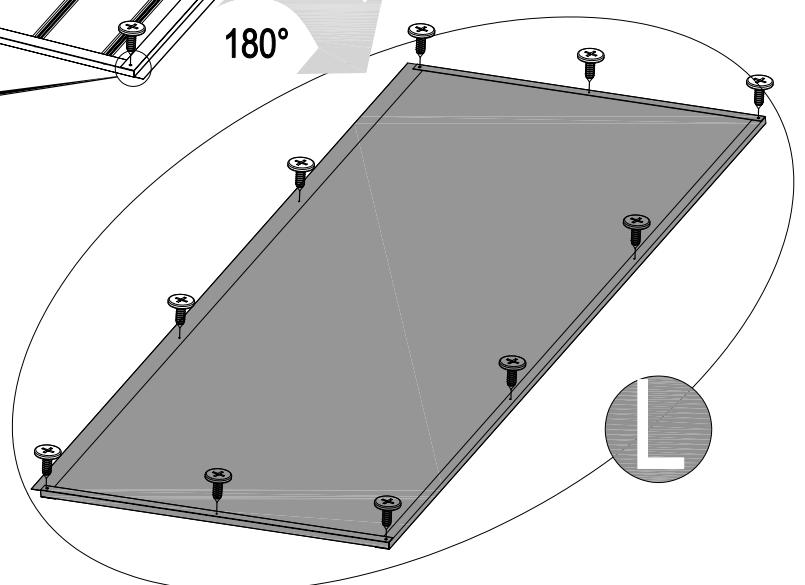
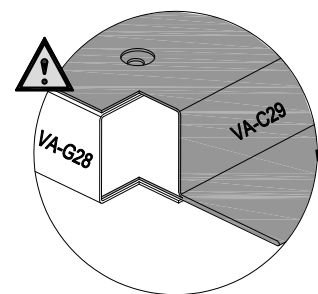
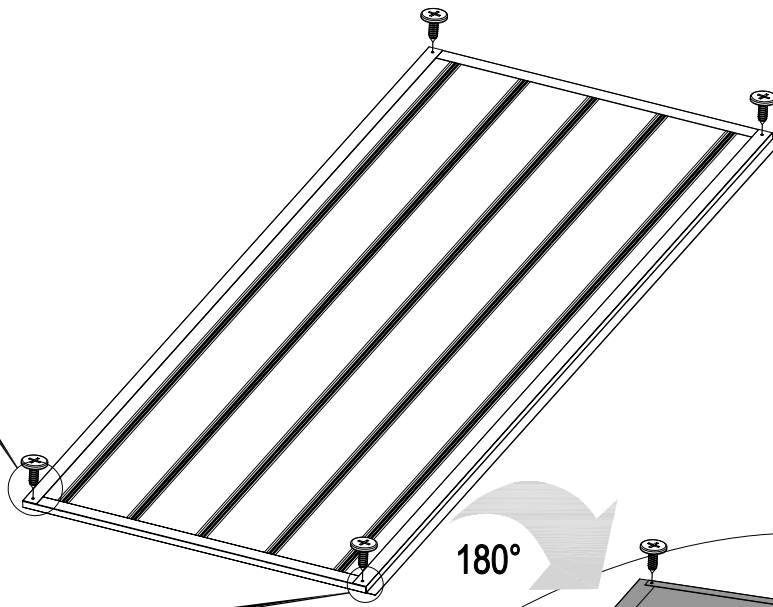
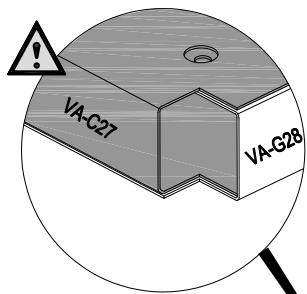
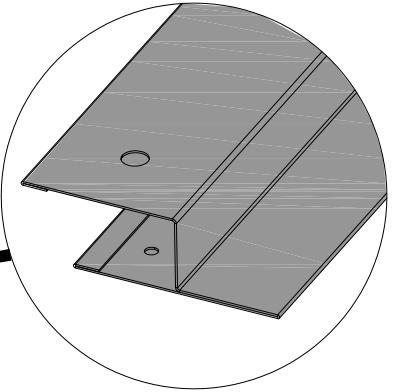
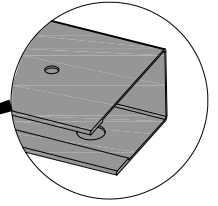
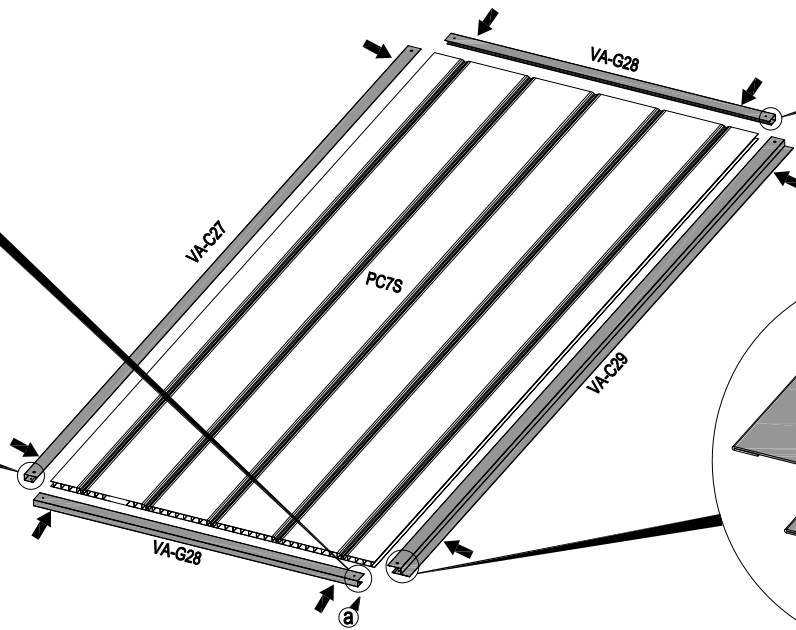
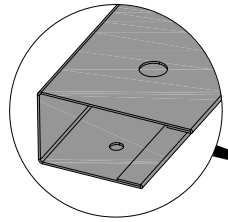
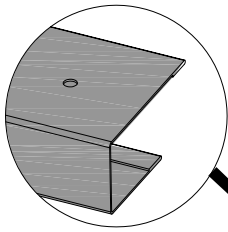
VA-C27 [x1]
1812mm



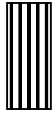
VA-G28 [x2]
747mm



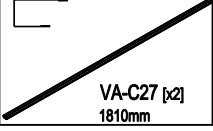
VA-G44 [x14]
13mm



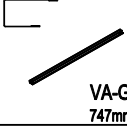
43



PC7S [x1]
1810x746mm



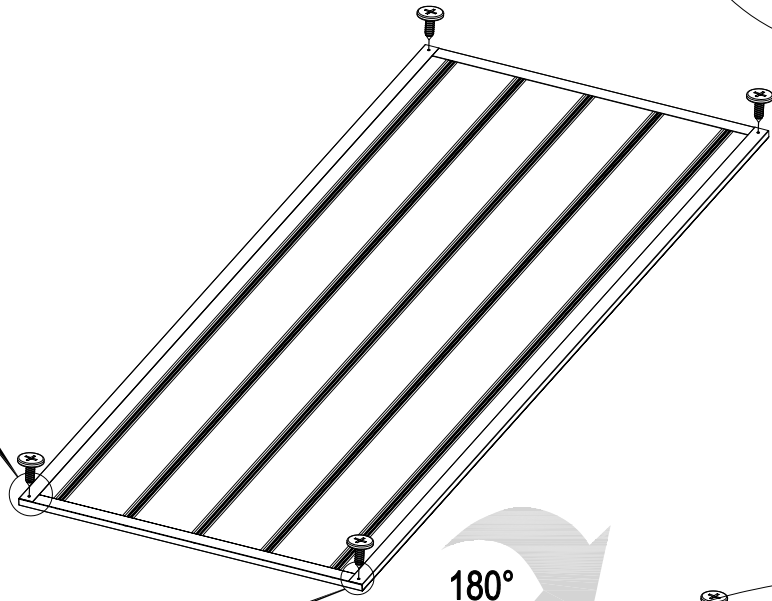
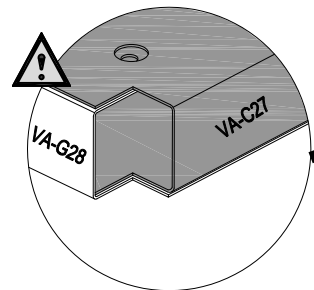
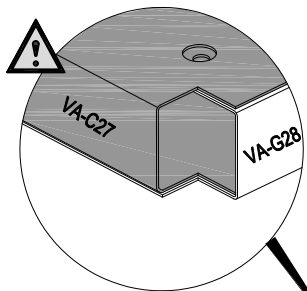
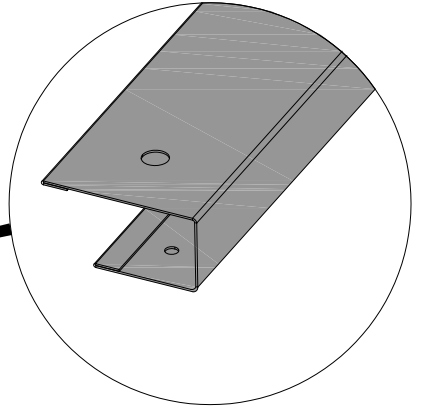
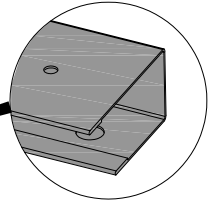
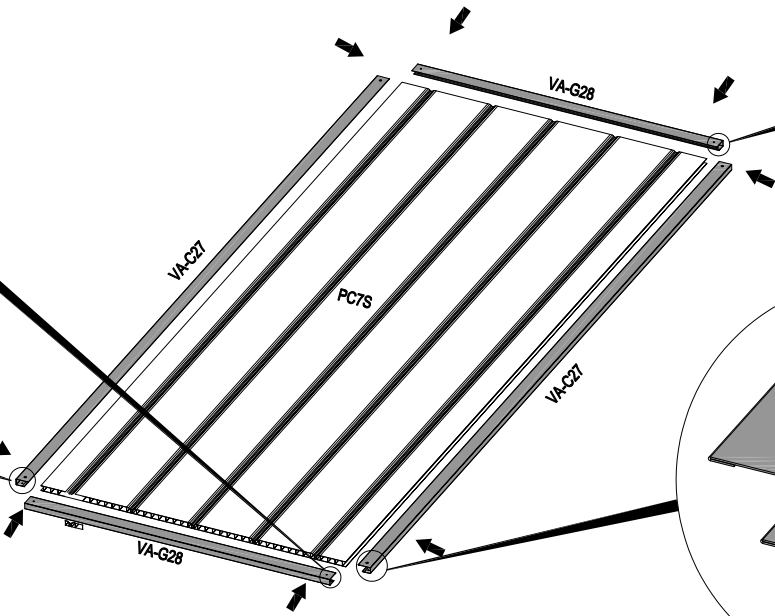
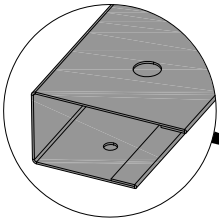
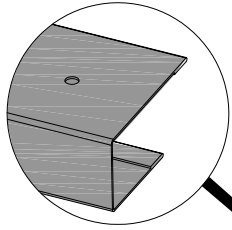
VA-C27 [x2]
1810mm



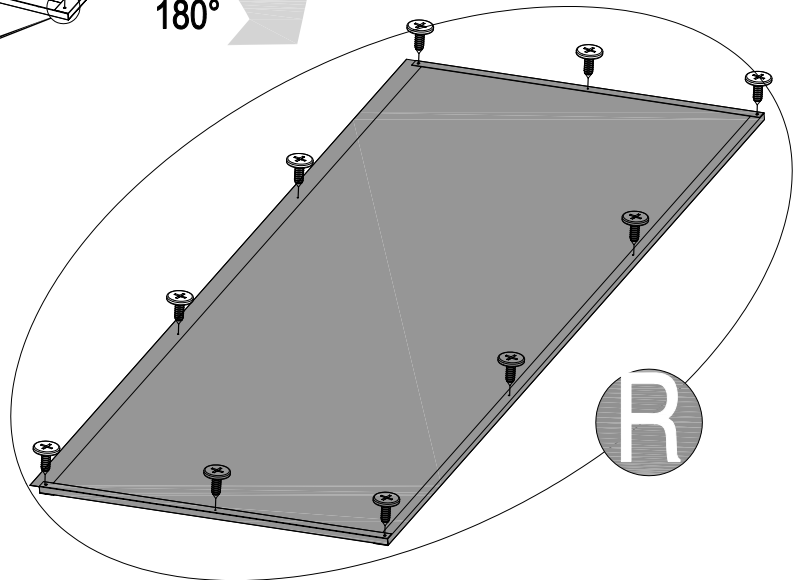
VA-G28 [x2]
747mm



VA-G44 [x14]
13mm



180°



44



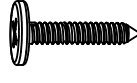
VA-41 [x4]



VA-40 [x1]



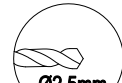
PA01 [x3]



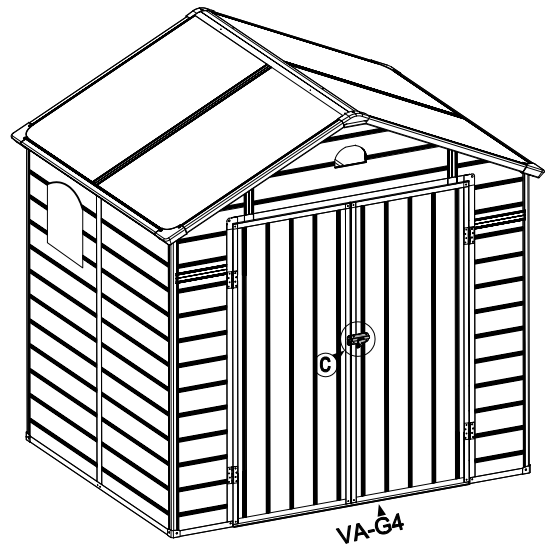
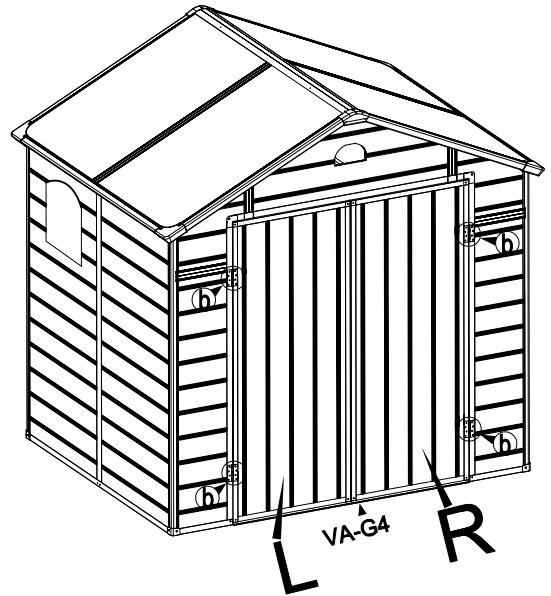
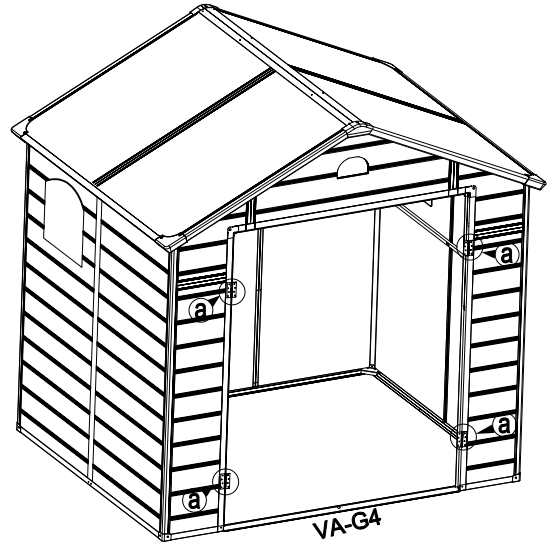
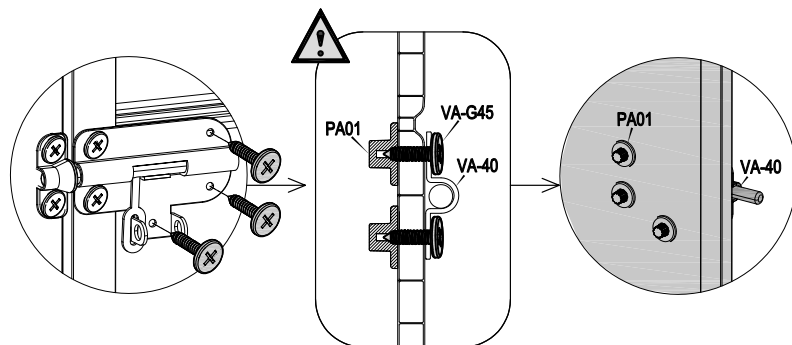
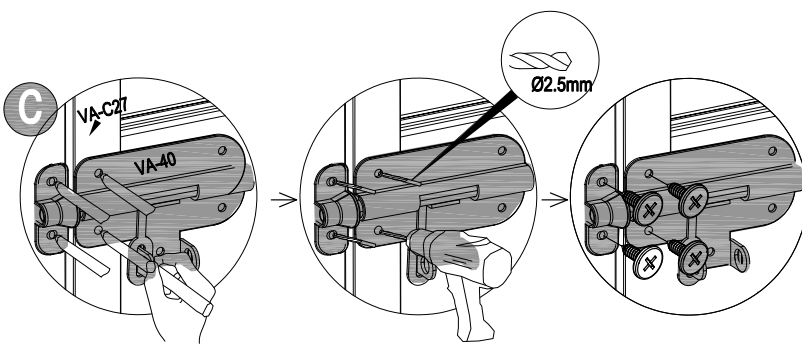
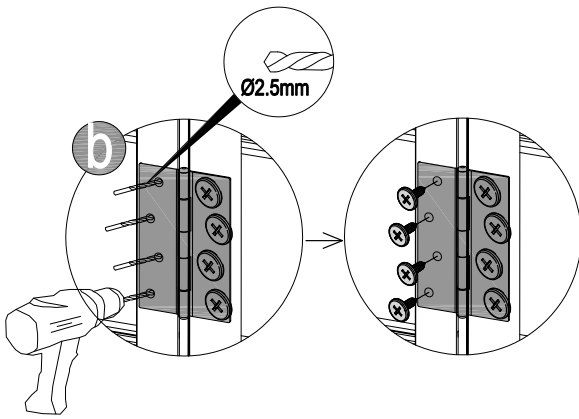
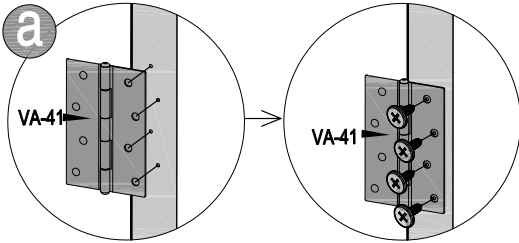
VA-G45 [x3]
19mm



VA-G44 [x36]
13mm



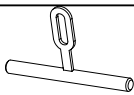
Ø2.5mm



45



VA-38a [x2]



VA-38b [x2]



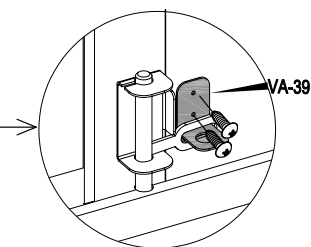
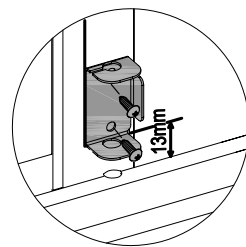
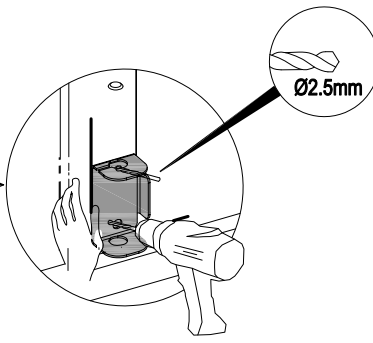
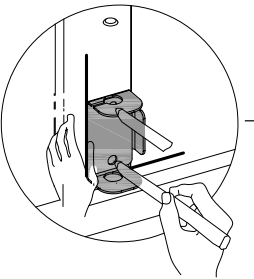
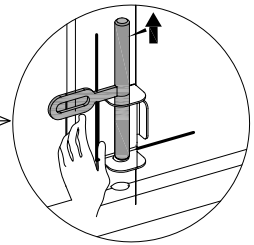
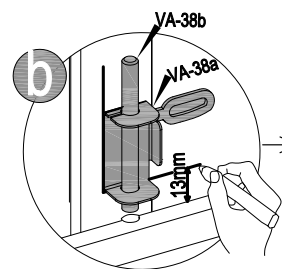
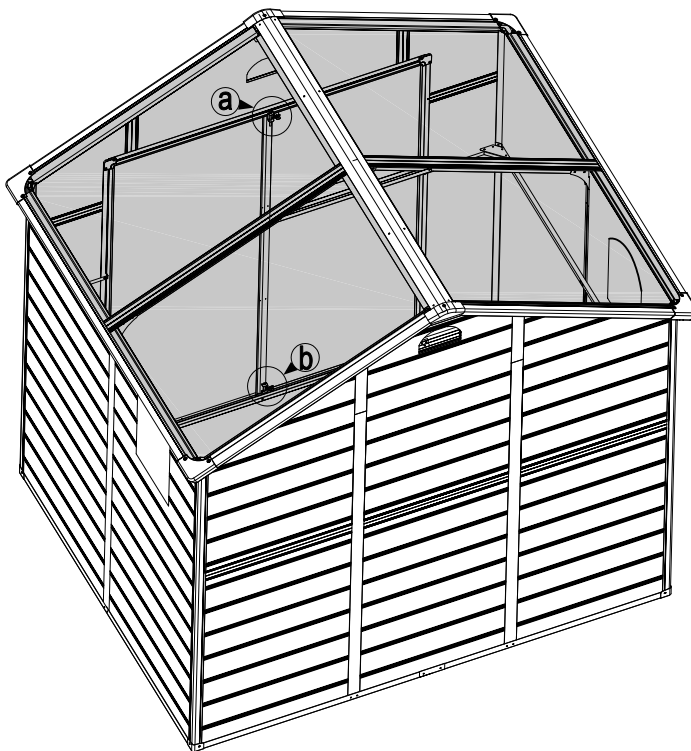
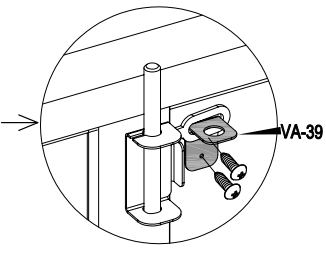
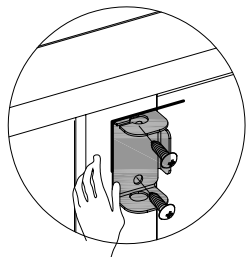
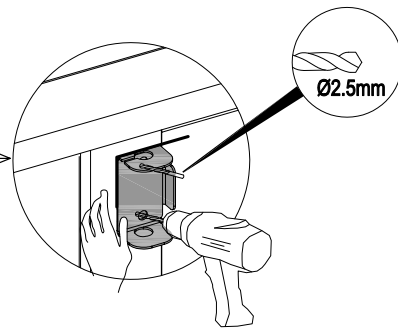
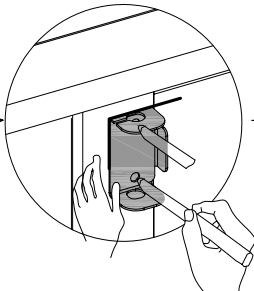
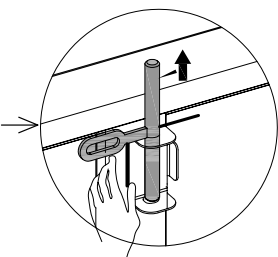
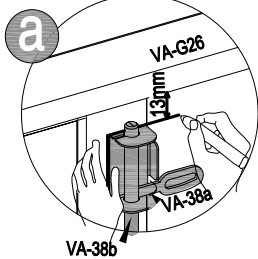
VA-39 [x2]



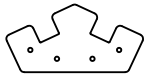
VA-G49 [x8]
13mm



Ø2.5mm



46



VA-36 [x2]



VA-32L [x2]



VA-32R [x2]



VA-37 [x4]



VA-G44 [x44]
13mm



VA-G48 [x4]
40mm

