



ROWLINSON[®]
GARDEN PRODUCTS

Green Lane, Wardle
Nr. Nantwich, Cheshire, CW5 6BN

www.rowgar.co.uk

Help Line: (Normal Office Hours) 01829 261 121

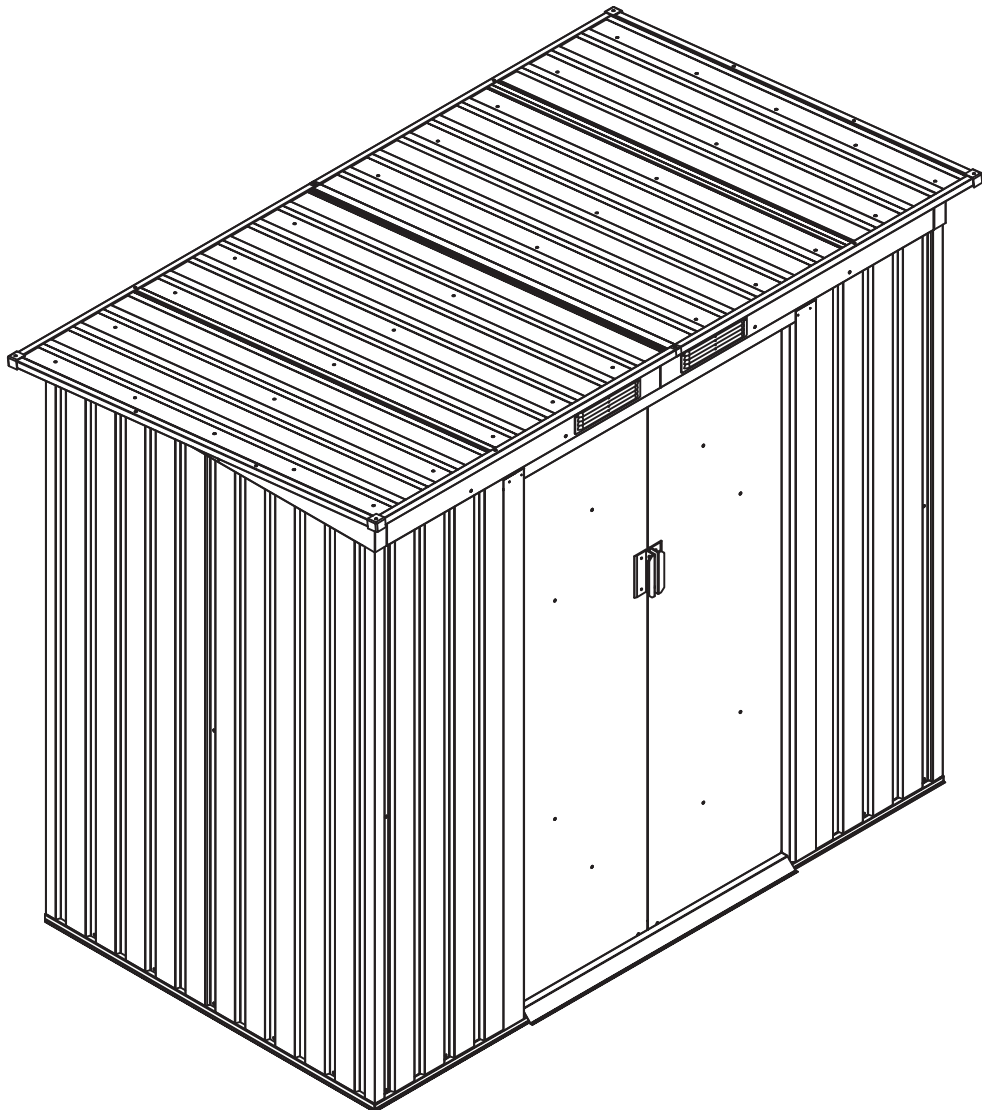
Email: support@rowgar.co.uk

Trentvale 6x4 Pent Metal Shed

ASSEMBLY INSTRUCTIONS

Light Grey: SS539

Dark Grey: SS540



S2001A

Requires two people and takes 1-2 hours for Installation.

Assembly Preparation

Owner's Manual

Please check local building codes regarding footings, location and other requirements before beginning construction.

Assembly instructions:

Reviewing all instructions and the appropriate information before you begin, make sure following the step sequence carefully for successful results.

Flooring base:

A good location for the storage building is a square and level area with good drainage. The base is not included in the kit which may need purchase separately or may construct a foundation and anchoring system of your own.

A strong plastic sheet (thickness: at least 150µm) should be placed under the foundation to assist in reducing rising dampness from the soil, thus reducing condensation build up in the shed. Your storage building must be anchored to prevent wind damage. Once secured, it is highly recommended applying silicone along the inside of the base rail to minimize condensation.

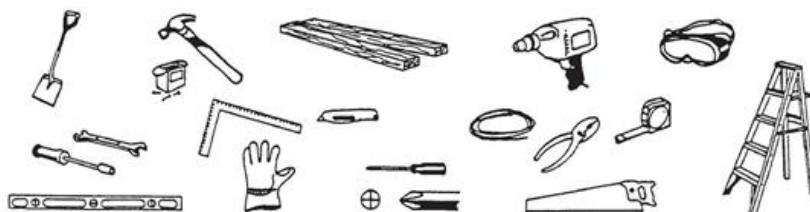
Parts and Parts List:

Before you start, separate and identify all the parts and hardware to be sure that you have all the necessary parts for your building (refer to the Parts List Page).

If you find that a part is missing, please notify the seller within one week after receiving the product. Do not attempt to assemble the building if parts are missing because any building left partially assembled may be seriously damaged by light winds.

Tools you need:

(Please tear off the safety protection layer before the assembly, keep the part number label if needed)



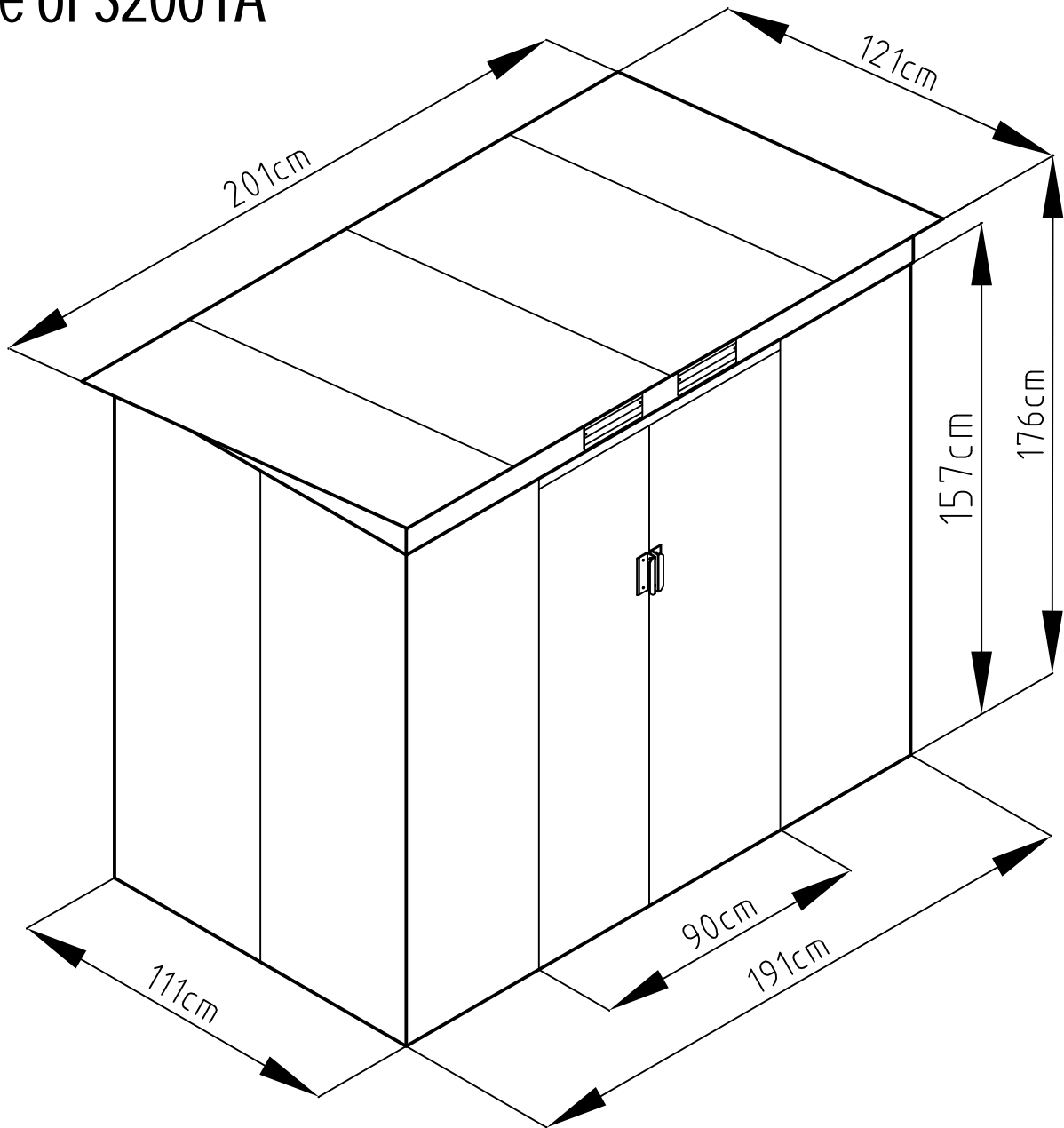
Safety must be put in the No. 1 position:

1. Select a dry and calm day for your assembly. Team works (Two or more people) are required during the assembly. It is also recommended to finish the assembly in a day to avoid damage to the product or missing of some small parts.
2. Wearing safety gloves, eye protection and long sleeves during the assembly to prevent injury. Pay attention to the sharp edge of some parts.
3. Children and pets are not allowed entering into the construction site.
4. Never concentrate your total weight on the roof of the building. When using a step ladder make sure that it is safe.

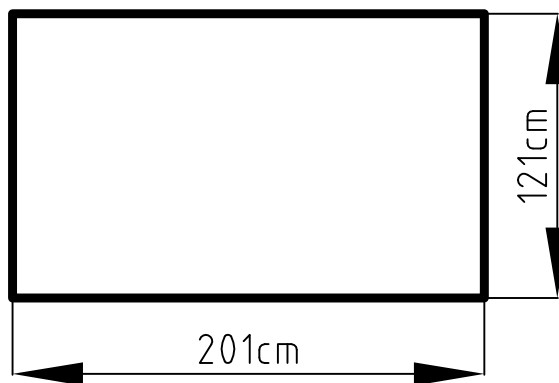
Care & Maintenance:

1. Keep the shed clean with soft cloth, use water if necessary.
2. Keep the door tracks clear of dirt and other stuff that prevent them from sliding easily.
3. Clean the snow with necessary tools to make sure it is safe to enter into.
4. The shed is not made for living but storing stuff.
5. Please add some oil on the top and bottom door sliding channel to make door slides smoothly.

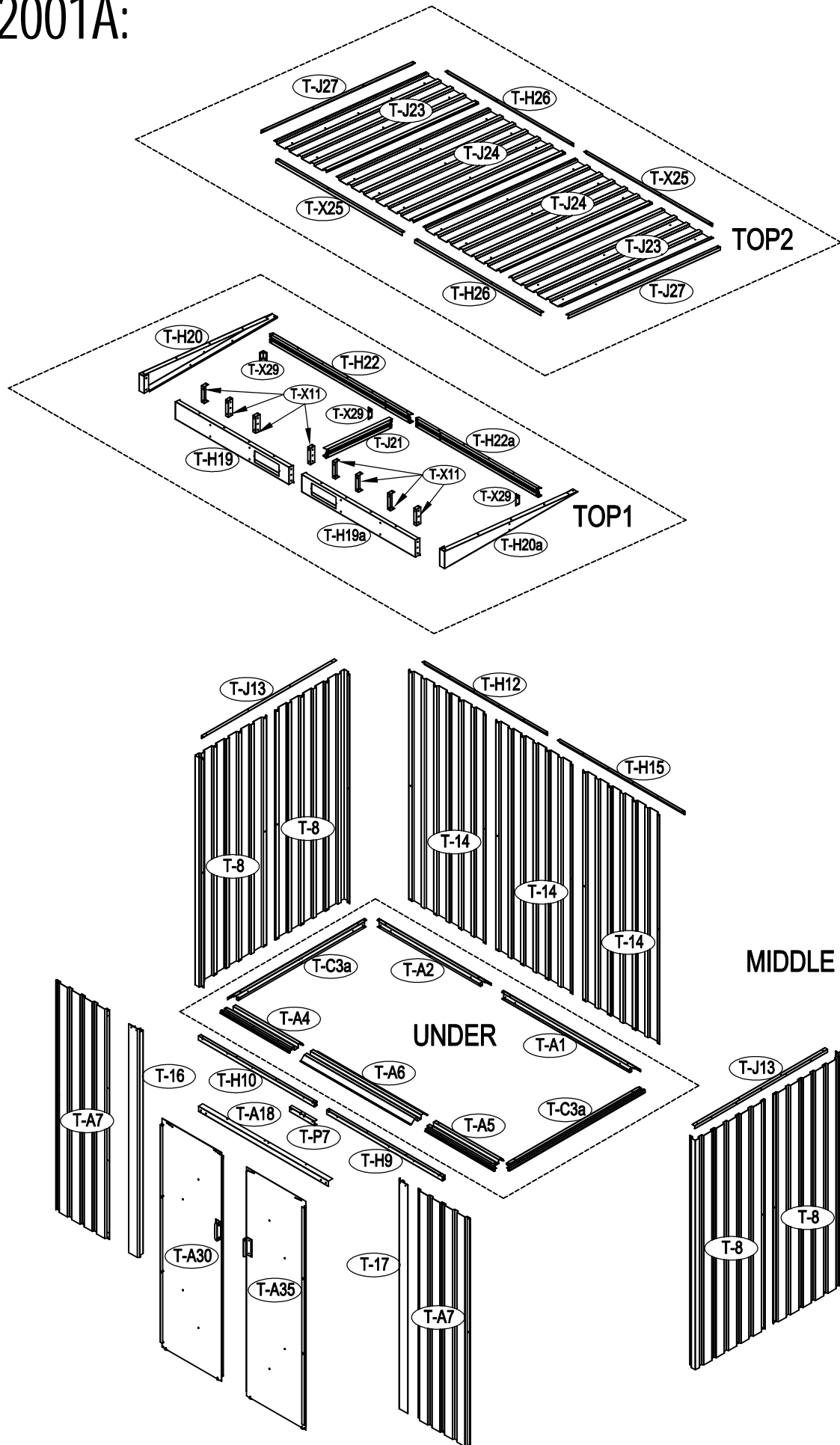
Size of S2001A



Area of installation requirement:



S2001A:



NO.	IMAGE	mm	QTY	NO.	IMAGE	mm	QTY
UNDER				DOOR			
T-A1		1102	x1	T-A30		1595	x1
T-A2		902	x1	T-A35		1595	x1
T-C3a		1102	x2	T-31		1535	x2
T-A4		560	x1	T-A32		836	x4
T-A5		560	x1	T-A33		456	x1
T-A6		895	x1	T-A34		456	x1
MIDDLE				T-A36		456	x1
T-A7		1600	x2	T-A37		456	x1
T-8		1600	x4	ANNEX			
T-14		1600	x3	T-P1			x4
T-H9		932	x1	T-P2			x4
T-H10		932	x1	T-P3			x4
T-J13		1068	x2	TP5A			x2
T-H12		990	x1	T-P6			x2
T-H15		1005	x1	T-P7		200	x1
T-16		1595	x1	T-H40			x128
T-17		1595	x1	T-H41		ST4x10	x148
T-A18		1040	x1	T-H42		ST4x16	x16
TOP 1				T-H43		M4x10	x77
T-X11		116	x8	T-H44			x56
T-H19		915	x1				
T-H19a		915	x1				
T-H20		1088	x1				
T-H20a		1088	x1				
T-J21		530	x1				
T-H22		1129.5	x1				
T-H22a		988	x1				
T-X29		56	x3				
TOP 2							
T-J23		1230	x2				
T-J24		1230	x2				
T-X25		1017	x2				
T-H26		1017	x2				
T-J27		1230	x2				

NOTE:It is important that these instructions are followed step by step.

Metal Shed must be installed on a level wooden platform or a level concrete foundation

Wooden platform is extra and is not included.
Don't install under windy conditions.

We recommend to clear your metal shed of snow after each snowfall.

Wooden Platform

The following are a list of lumber and sizes you will need.

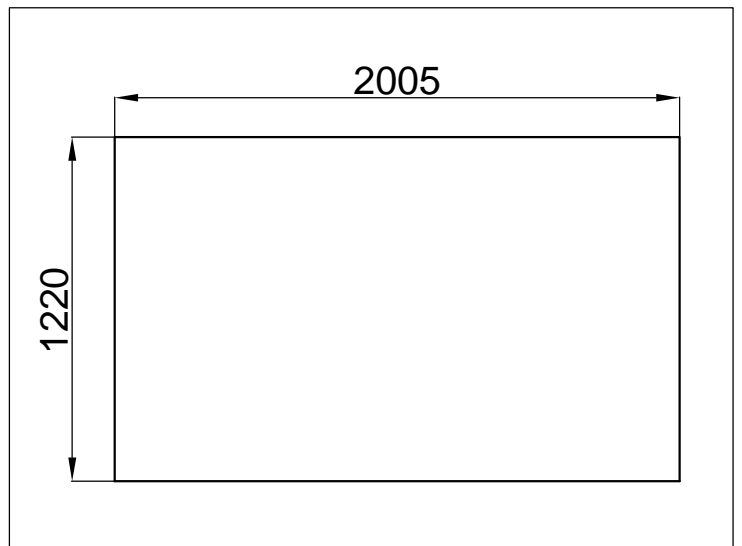
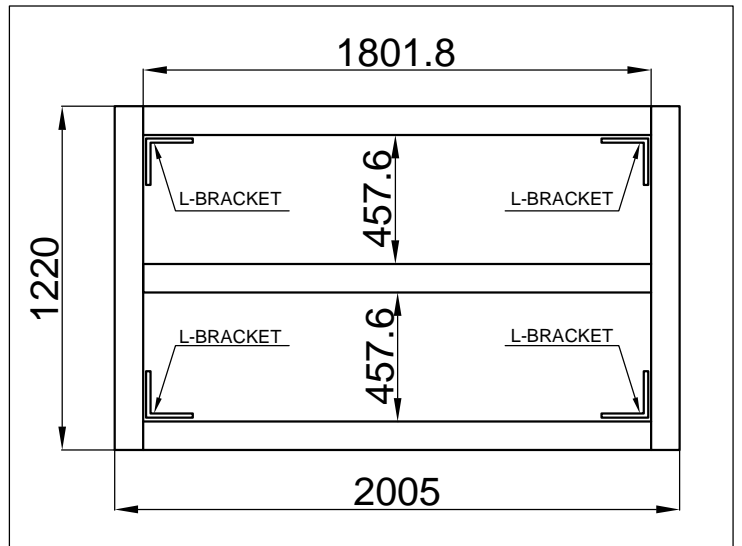
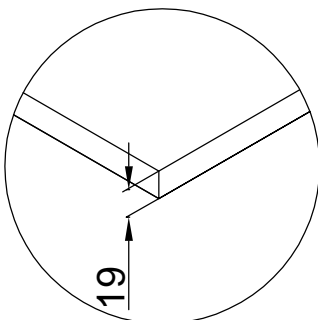
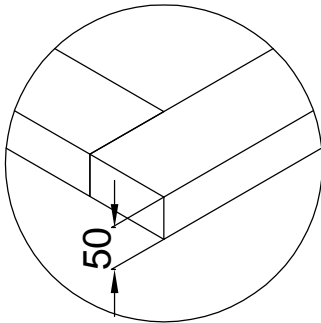
Pressure Treated-Wood Studs:

50mmX101.6mmX1220mm.....(2)

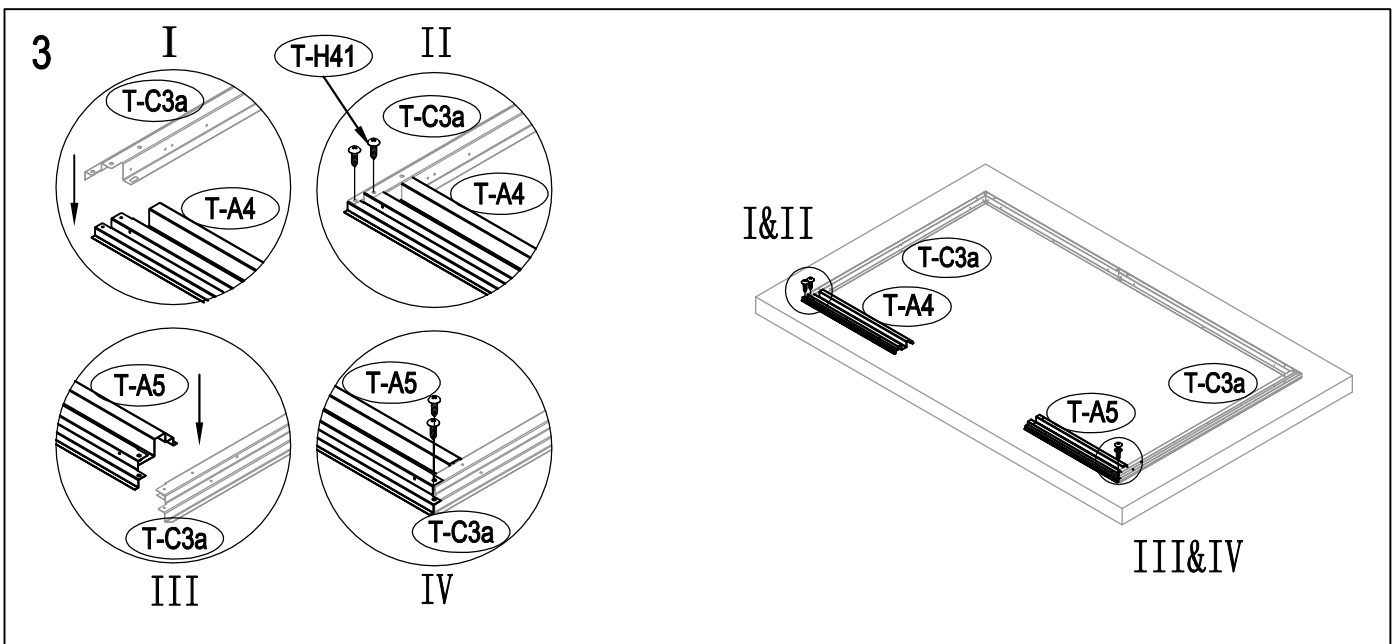
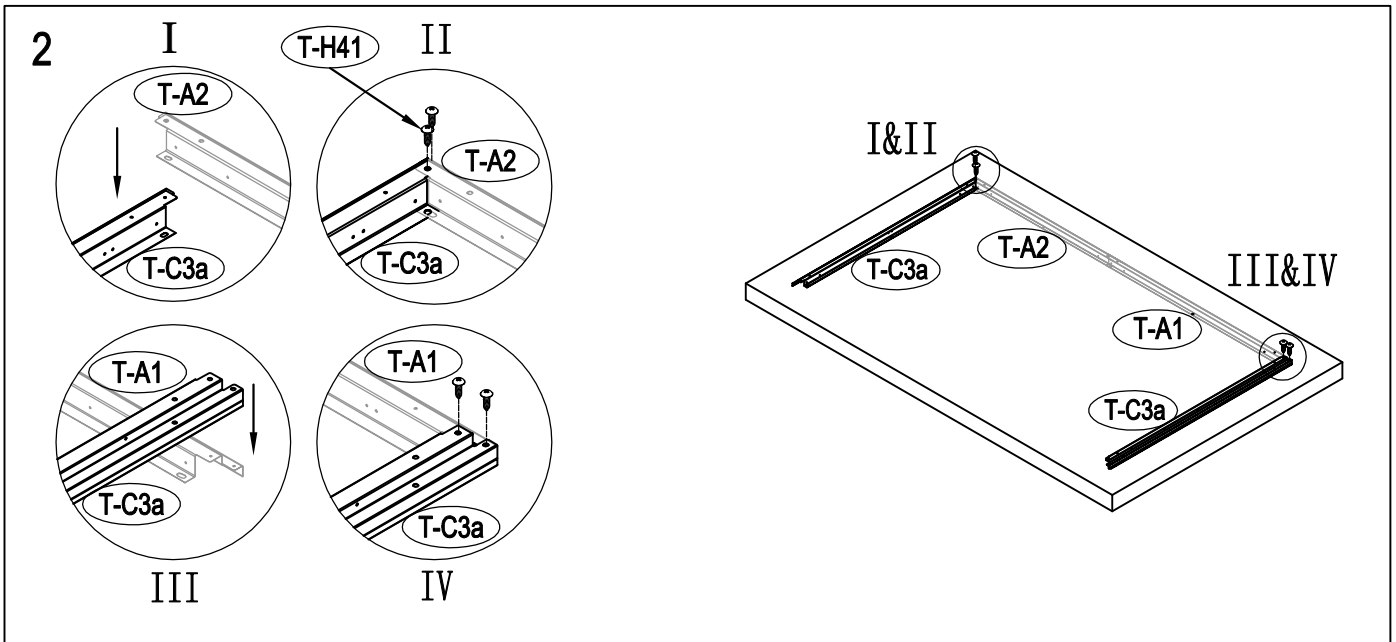
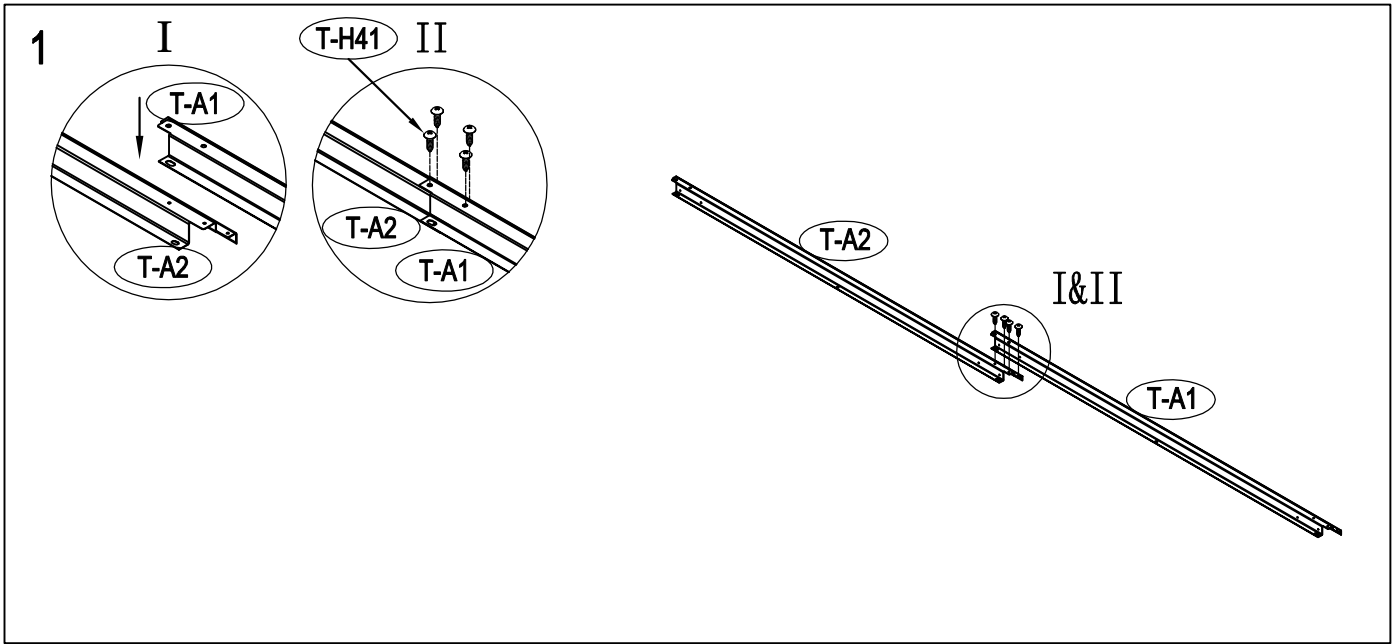
50mmX101.6mmX1801.8mm.....(3)

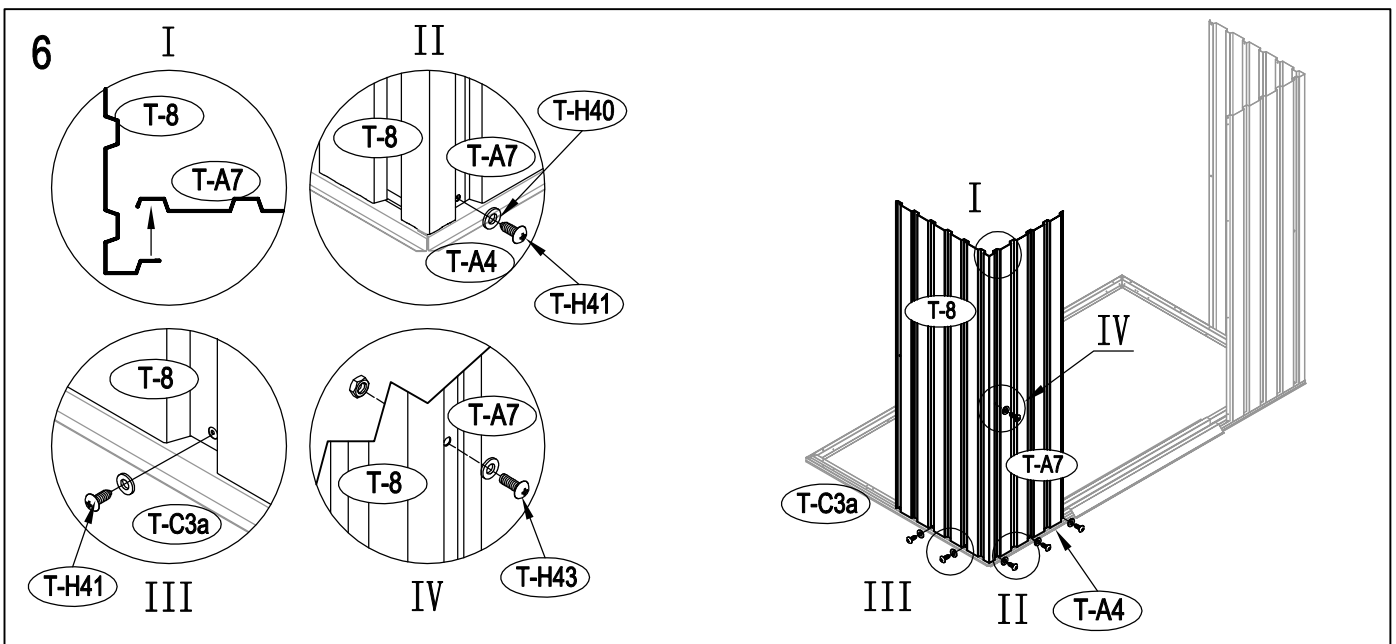
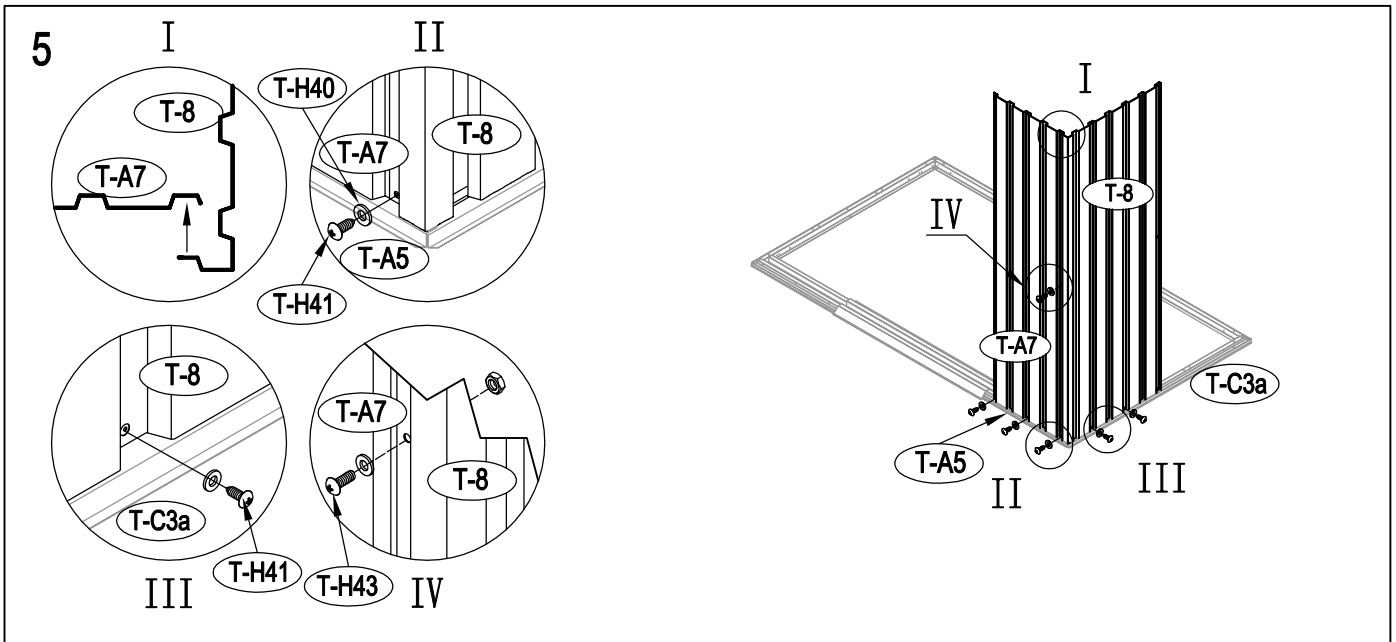
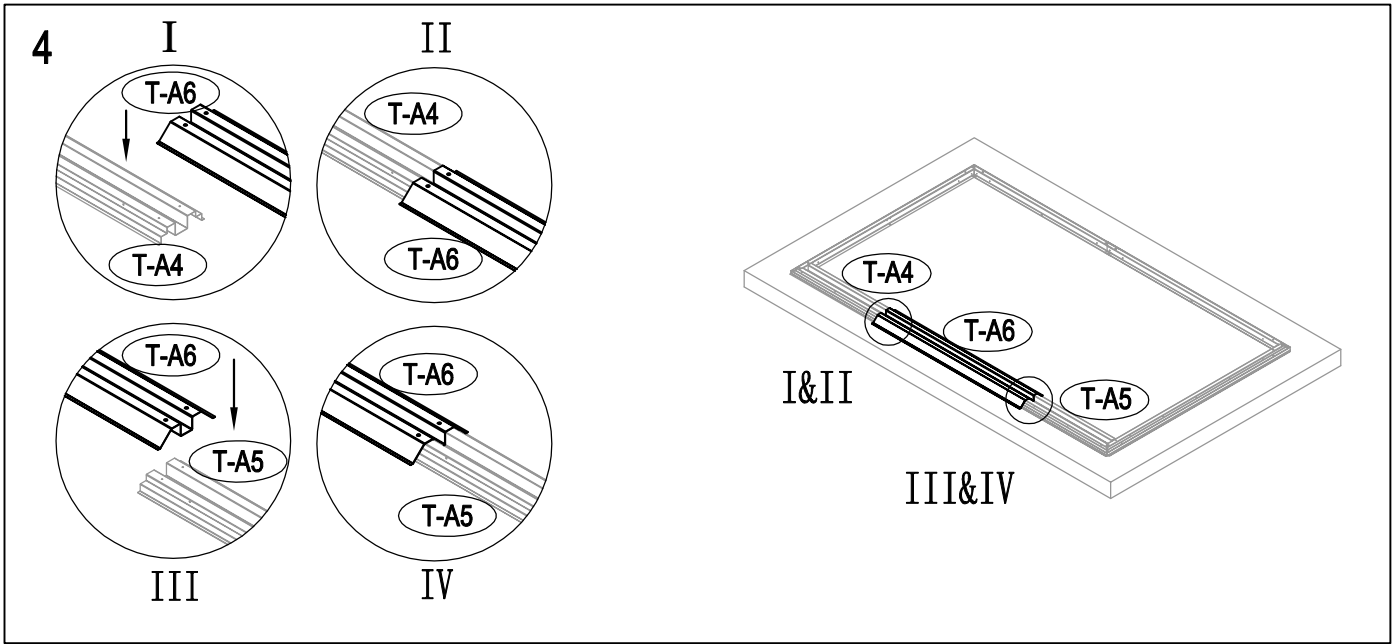
Exterior Grade (CDX-19mm) plywood

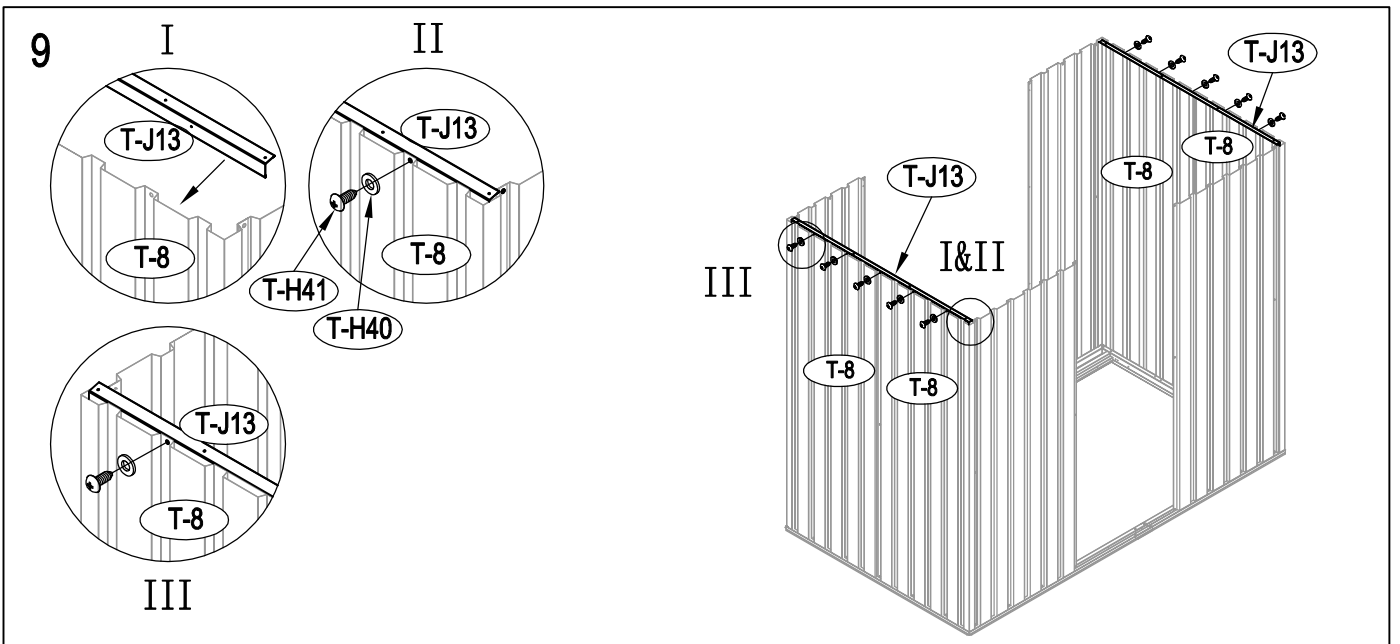
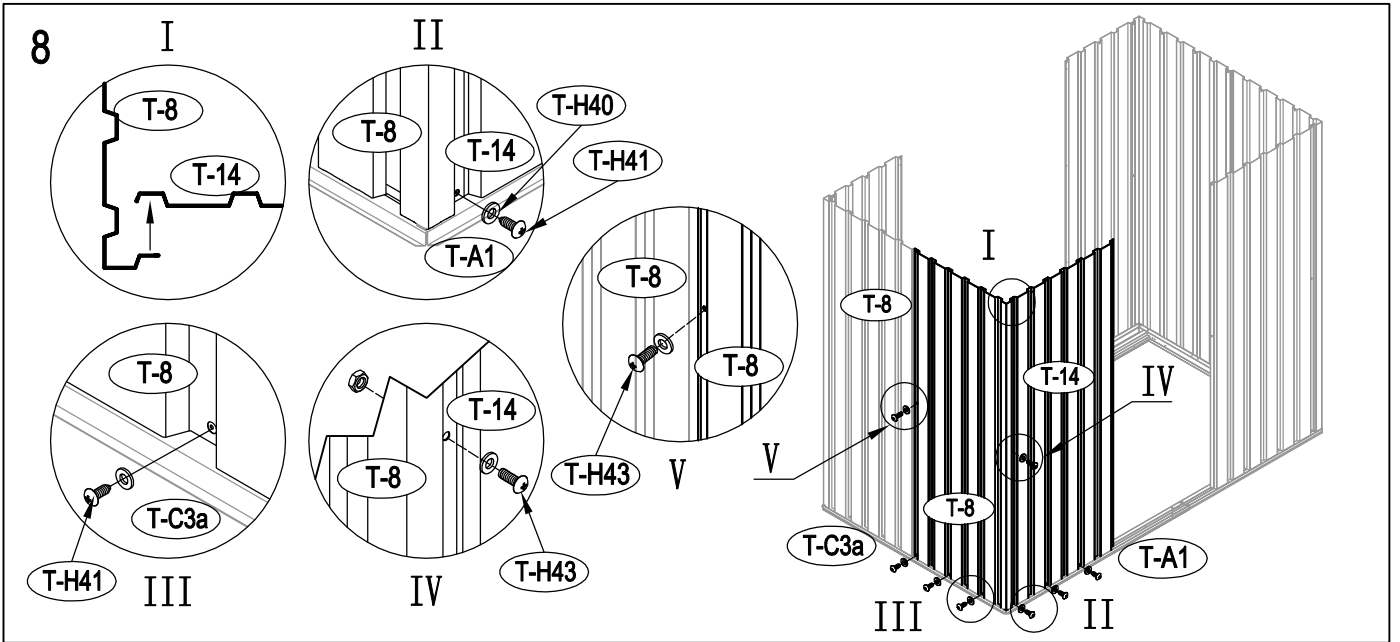
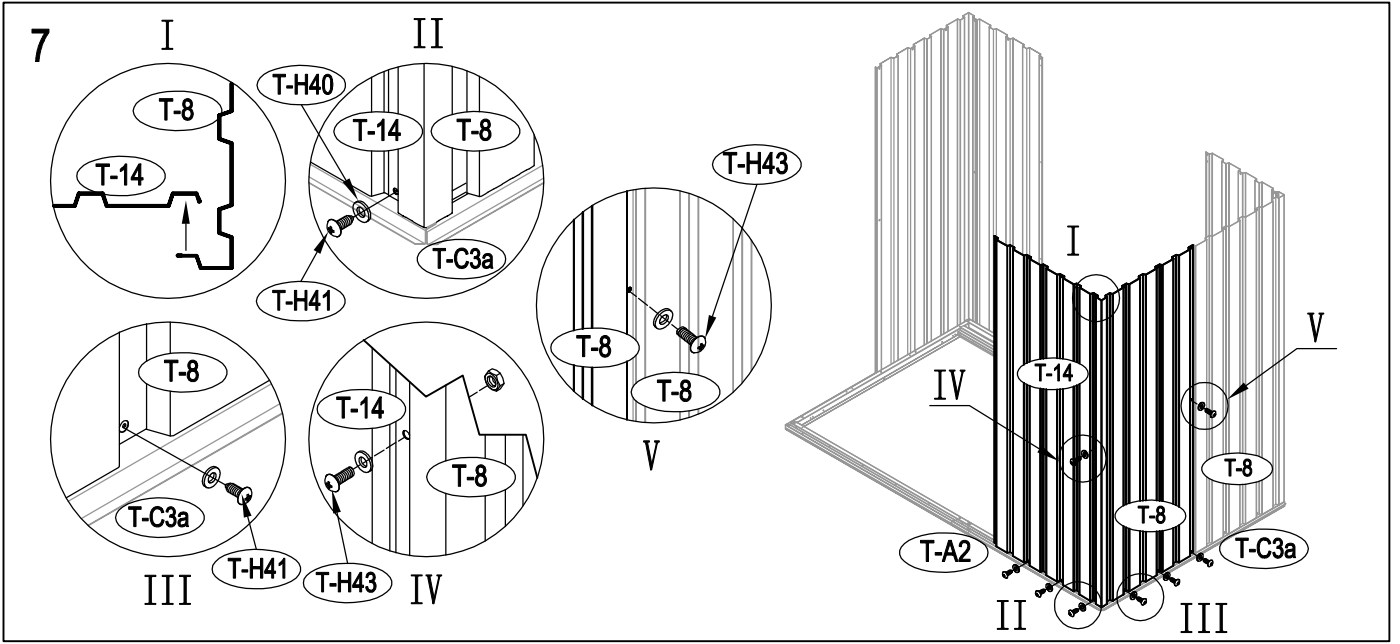
19mmX1220mmX2005mm.....(1)

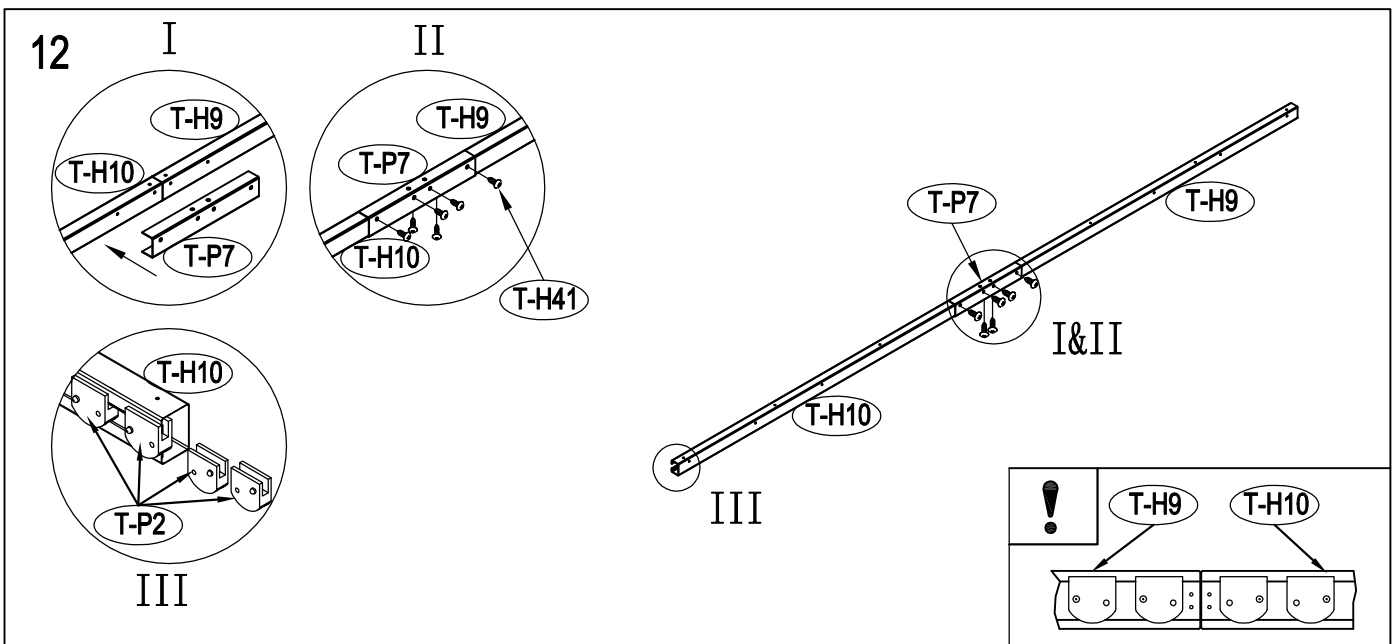
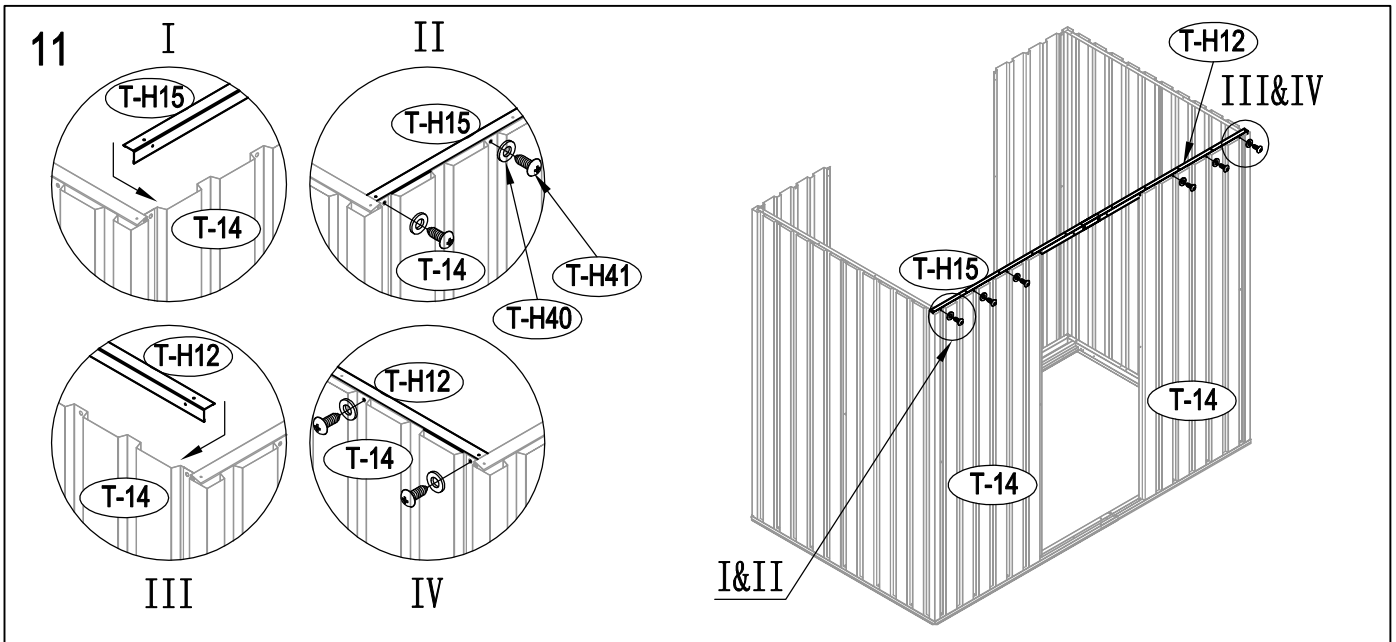
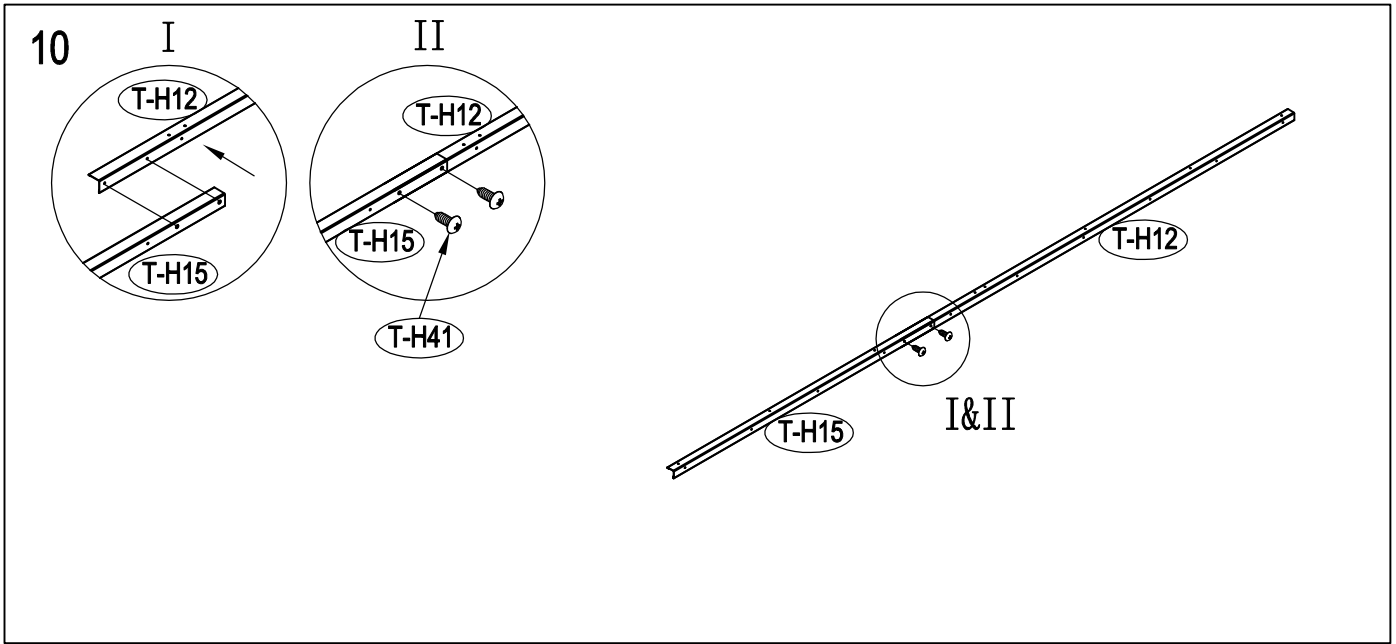


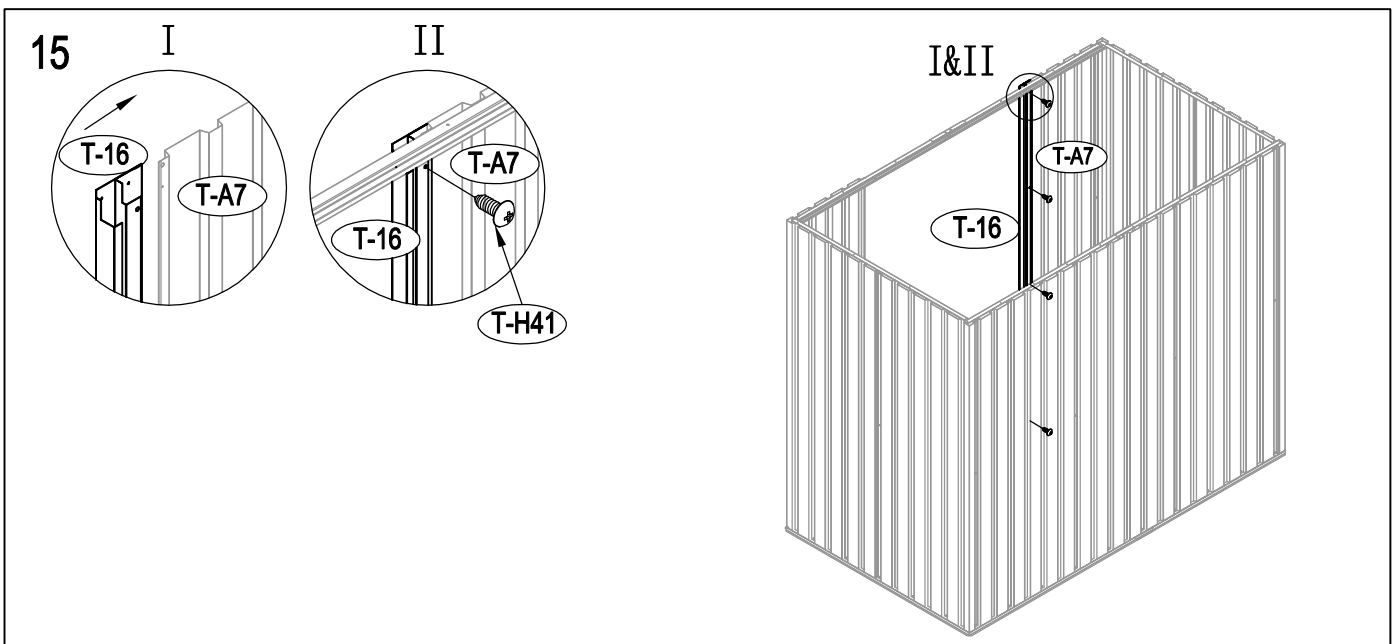
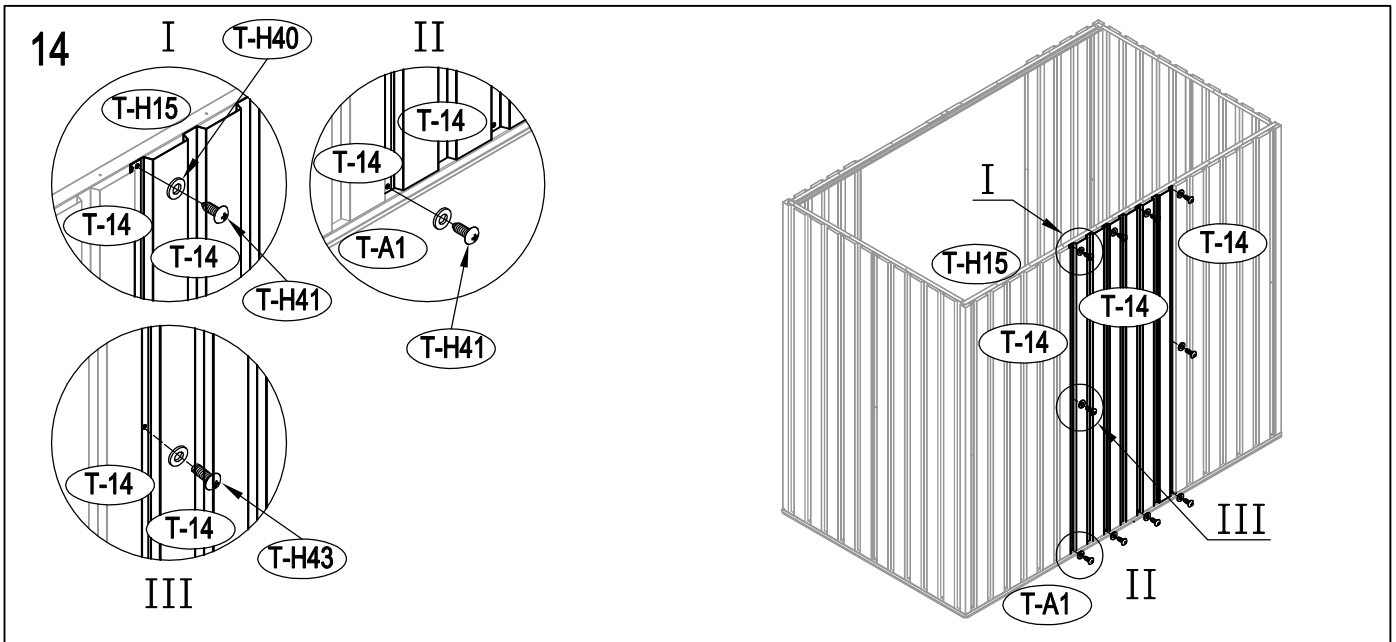
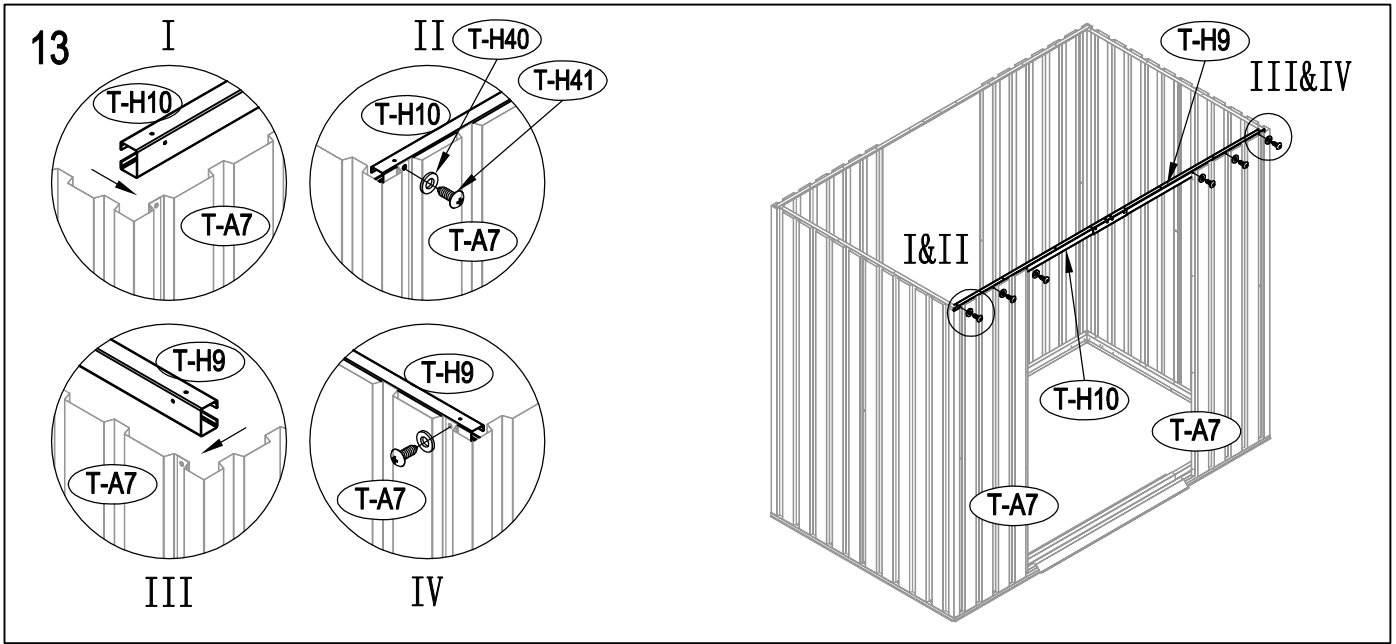
Important: Use hand gloves to prevent injury.

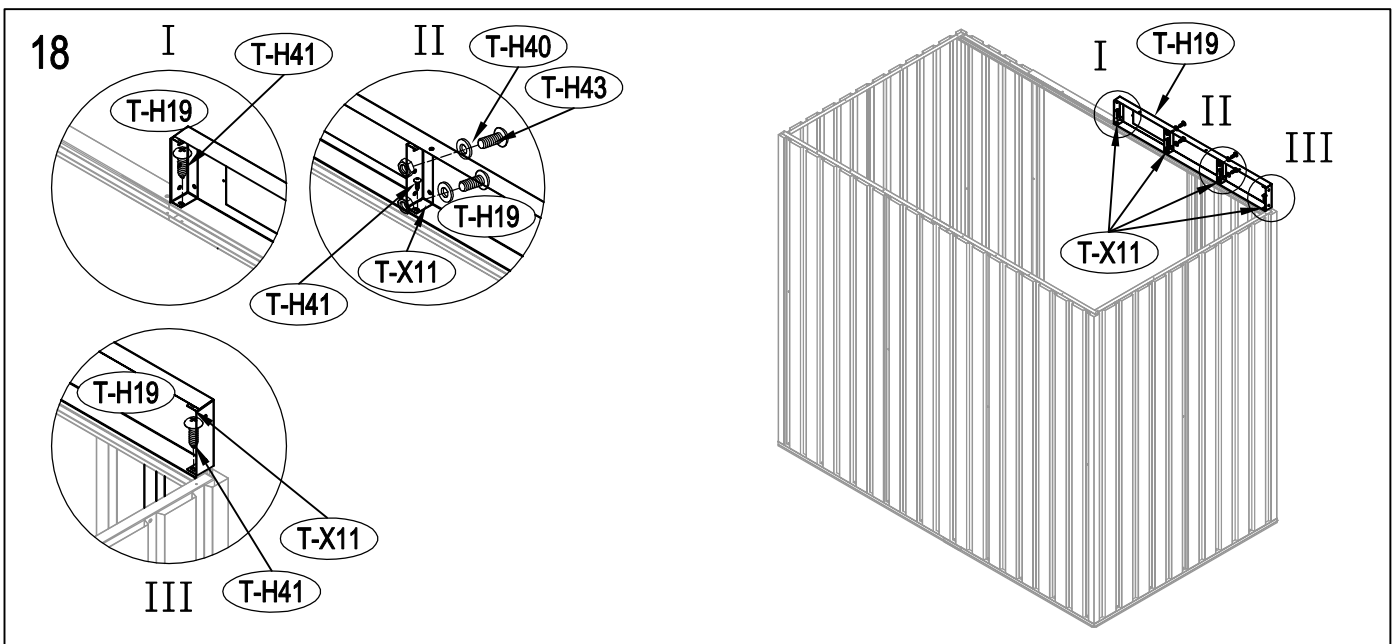
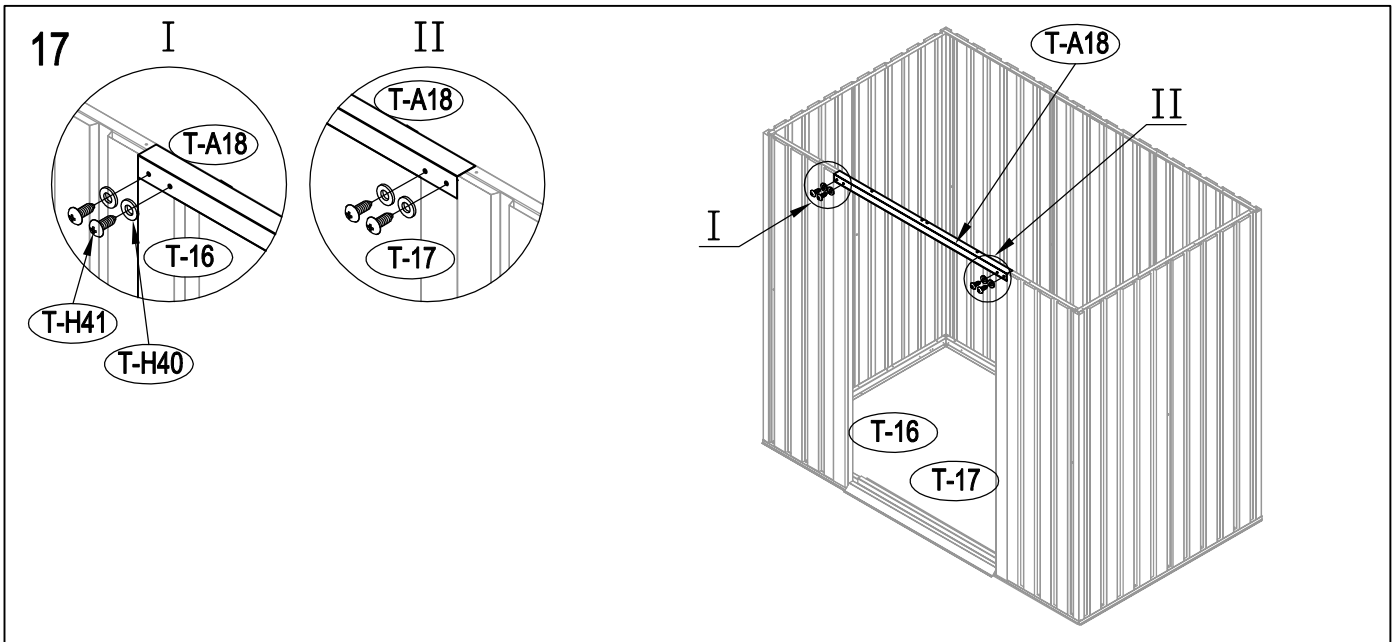
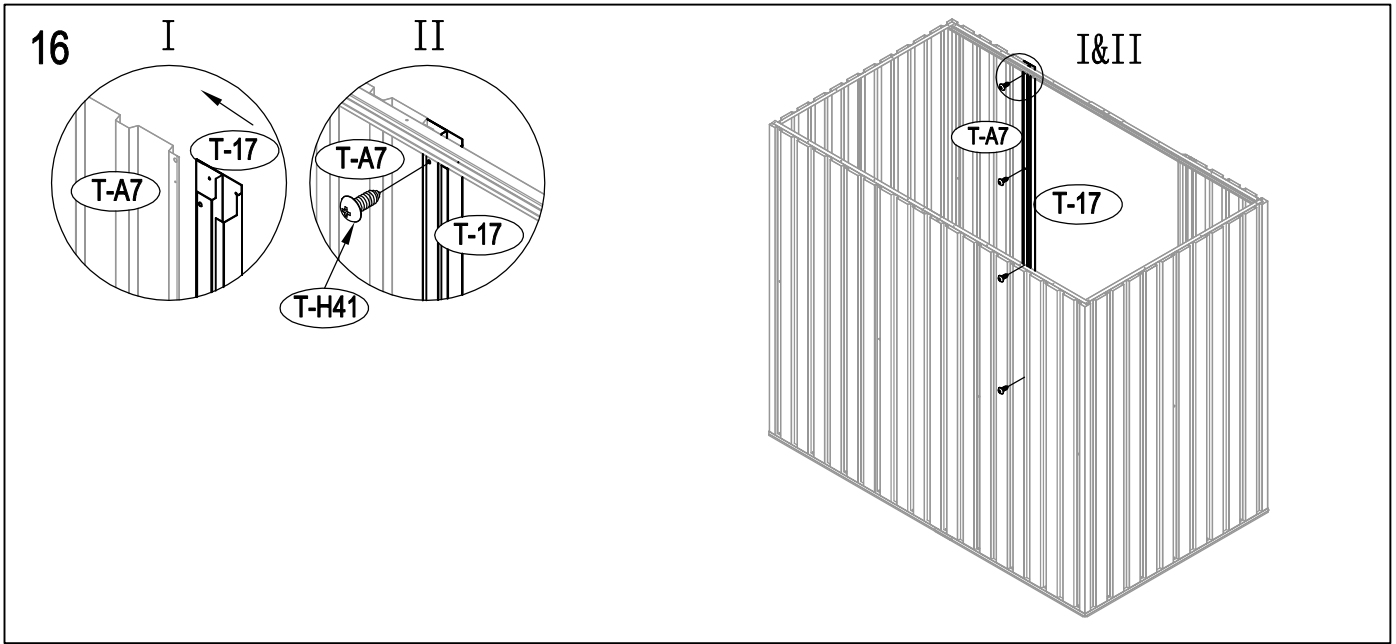


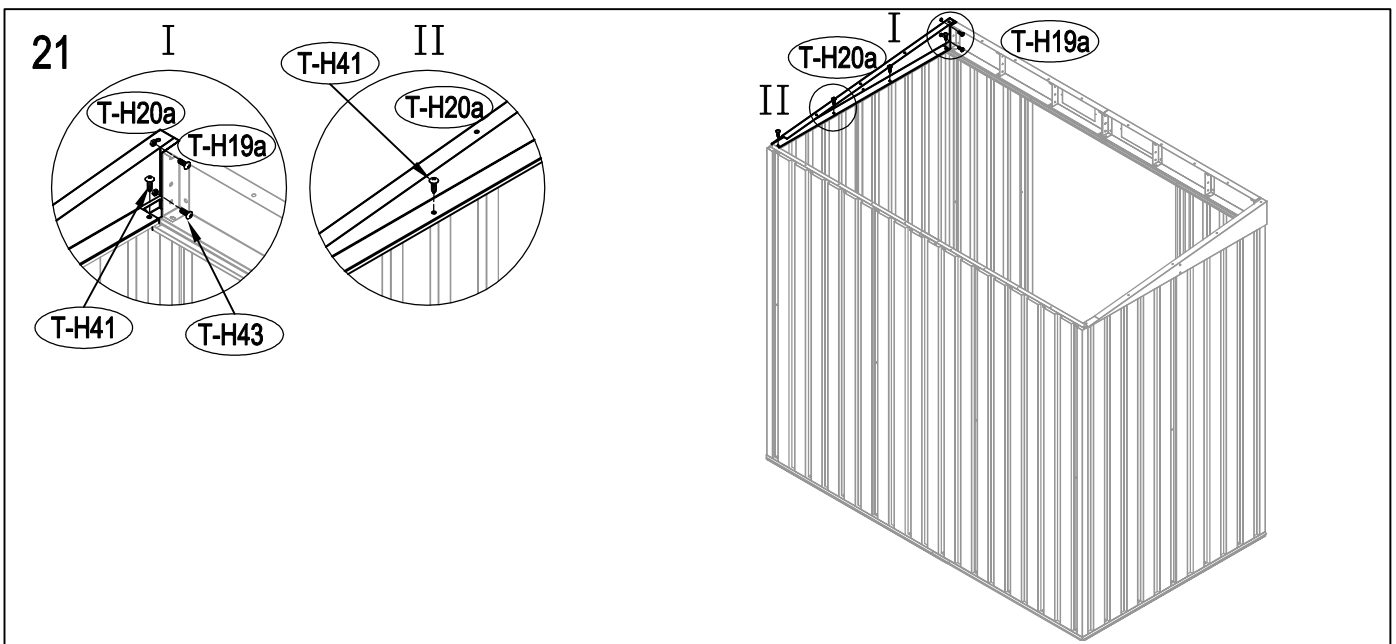
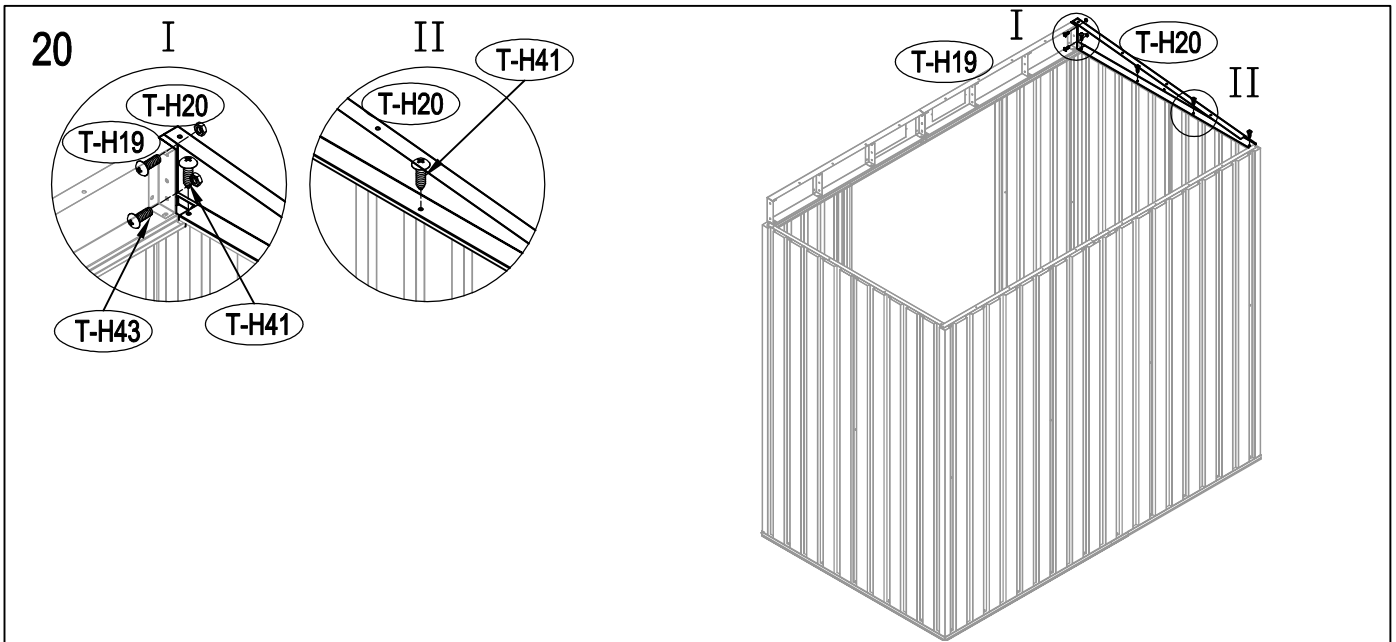
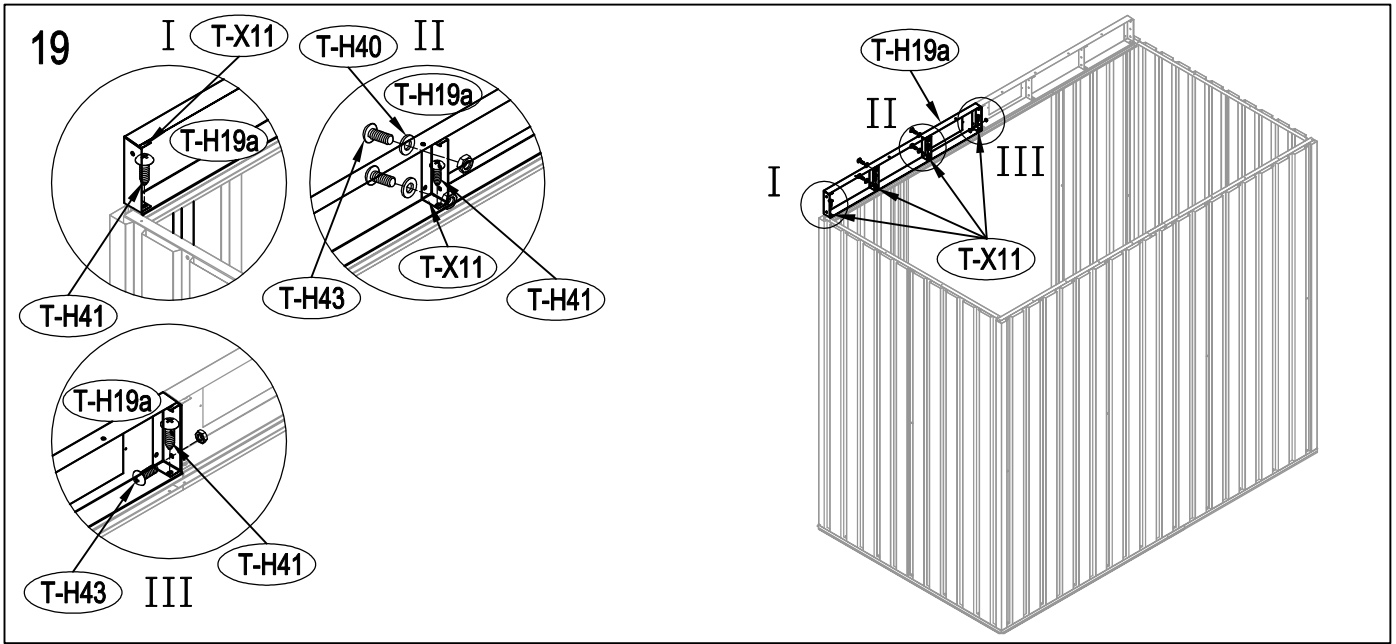


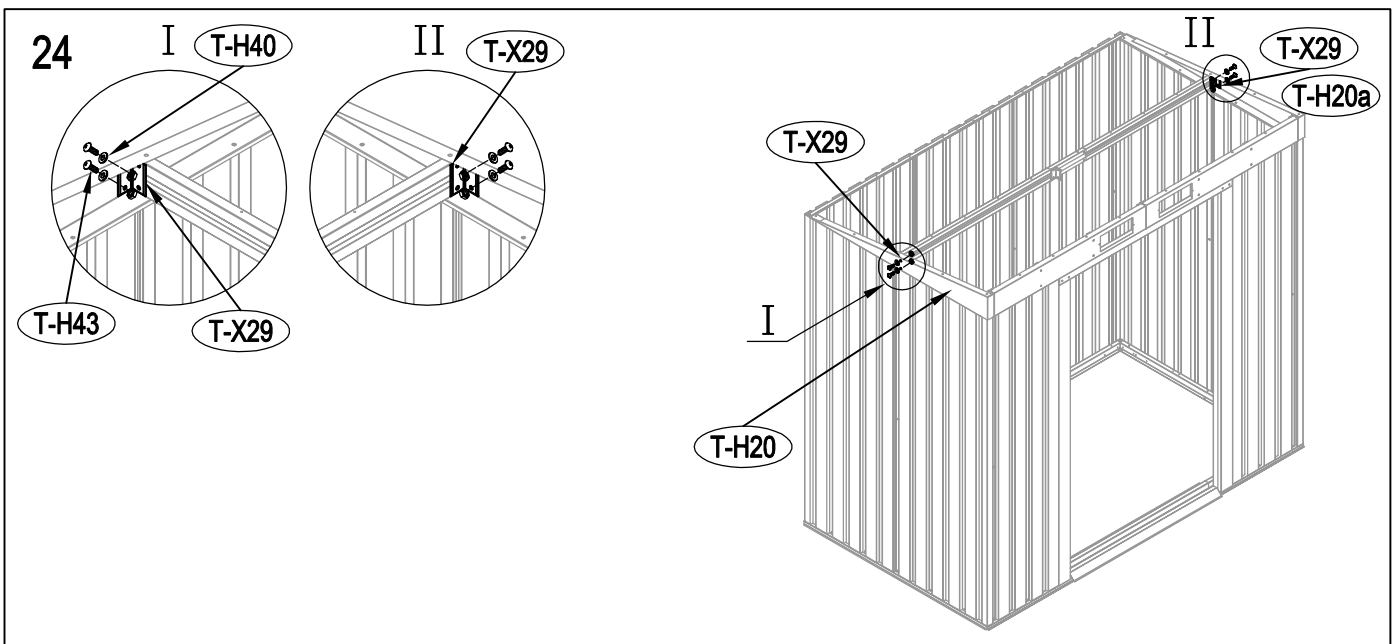
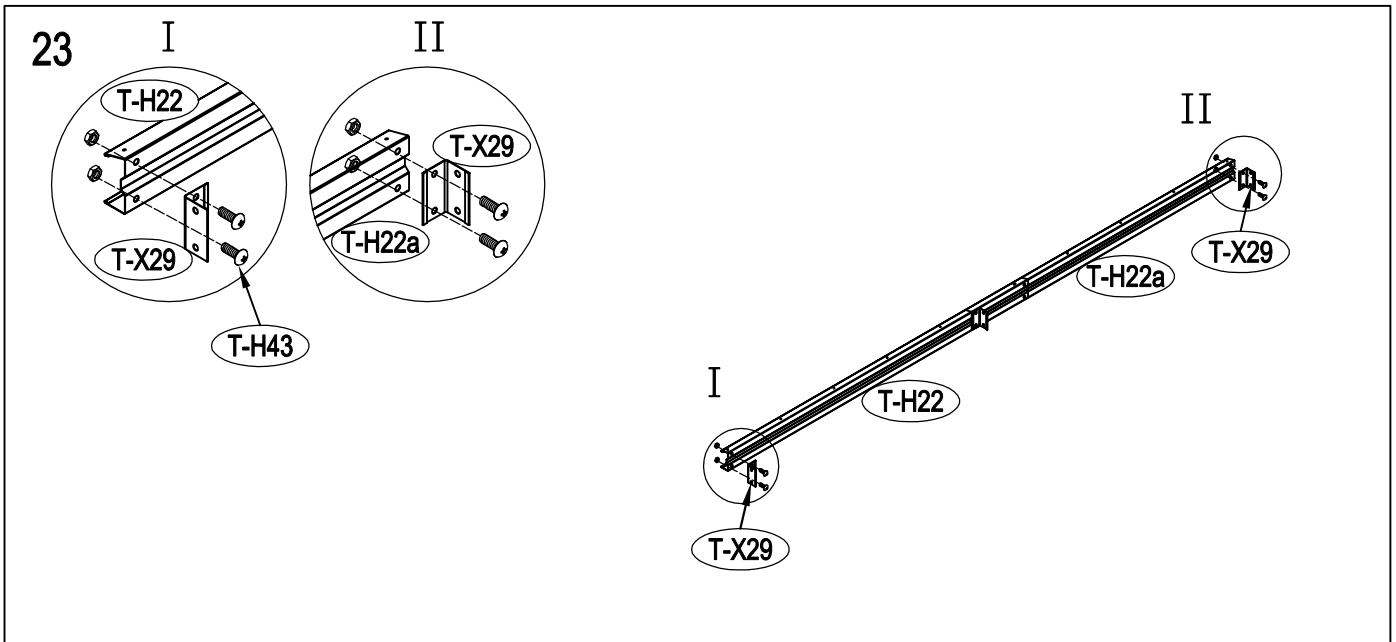
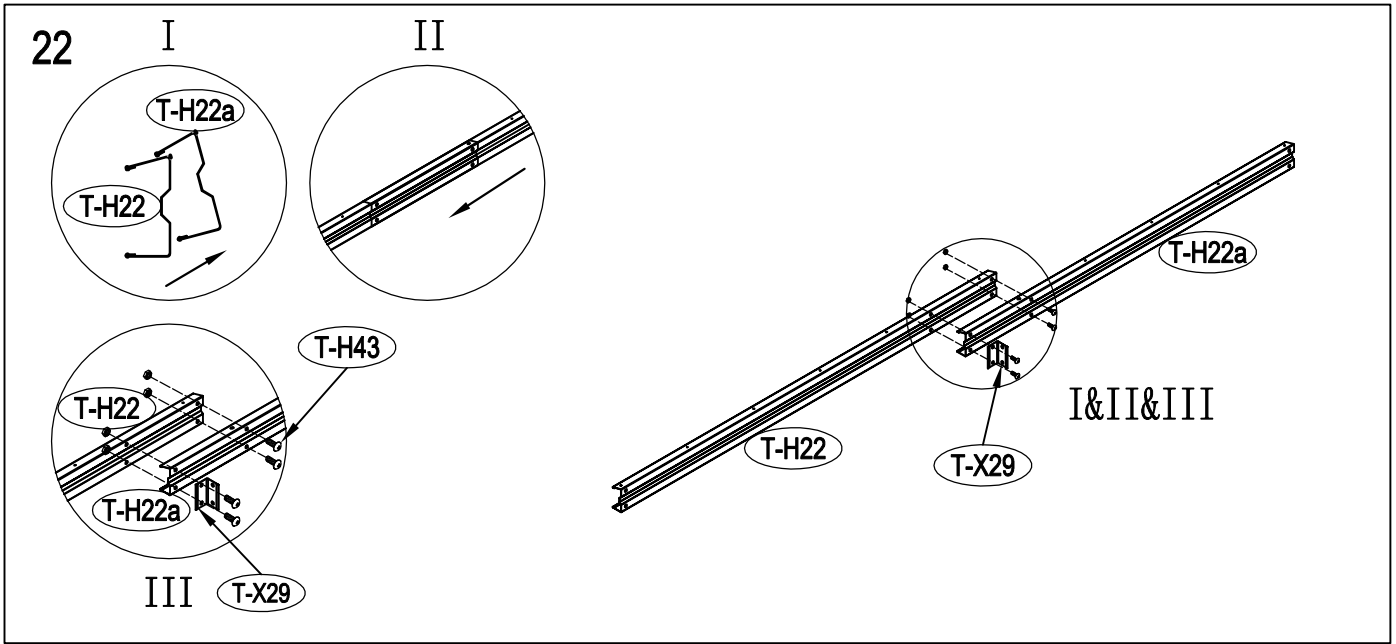


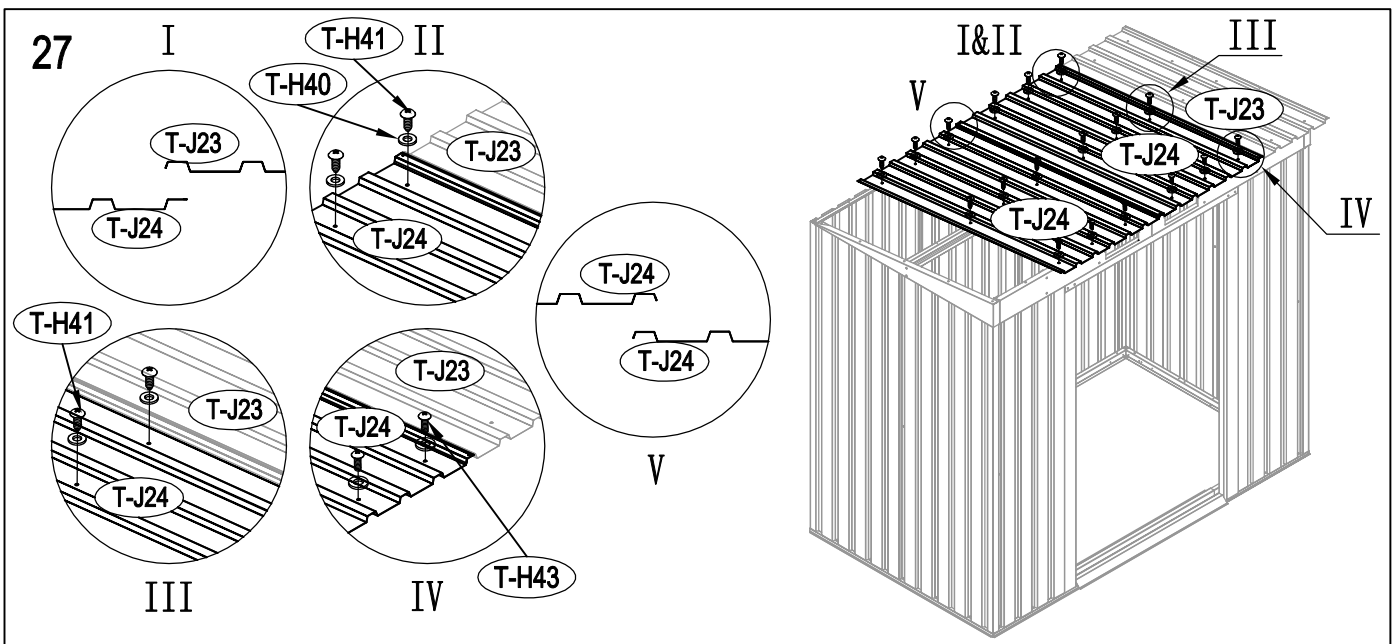
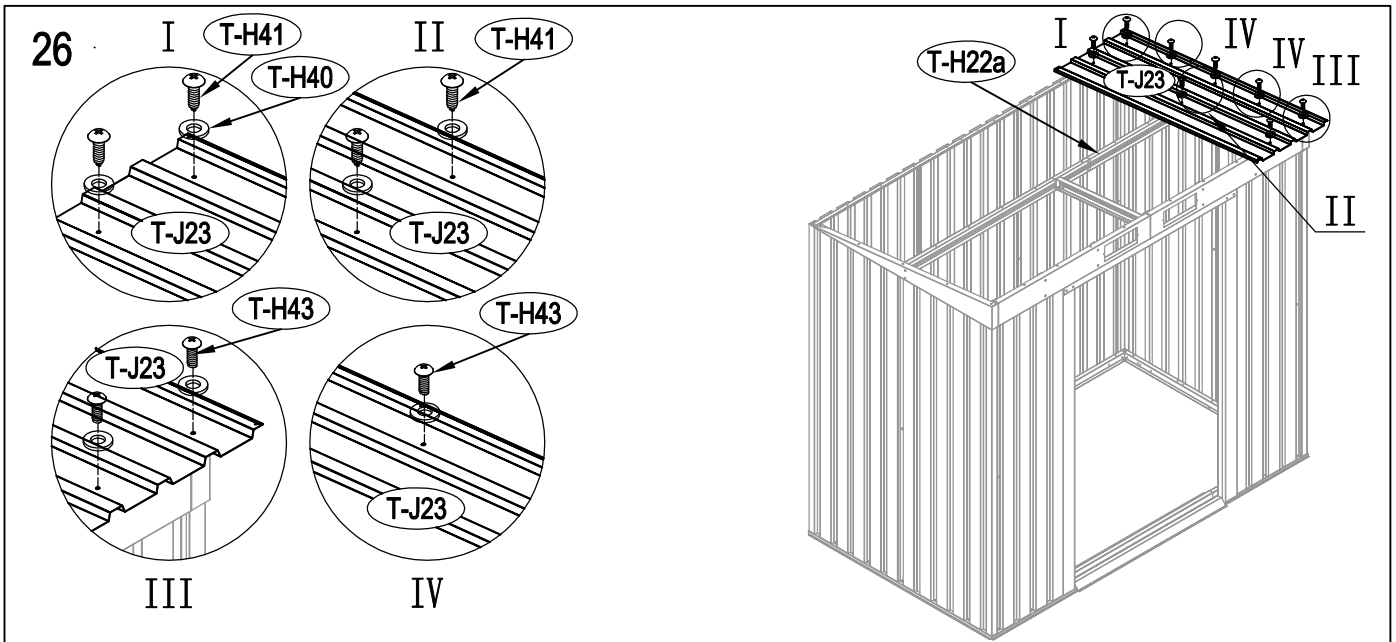
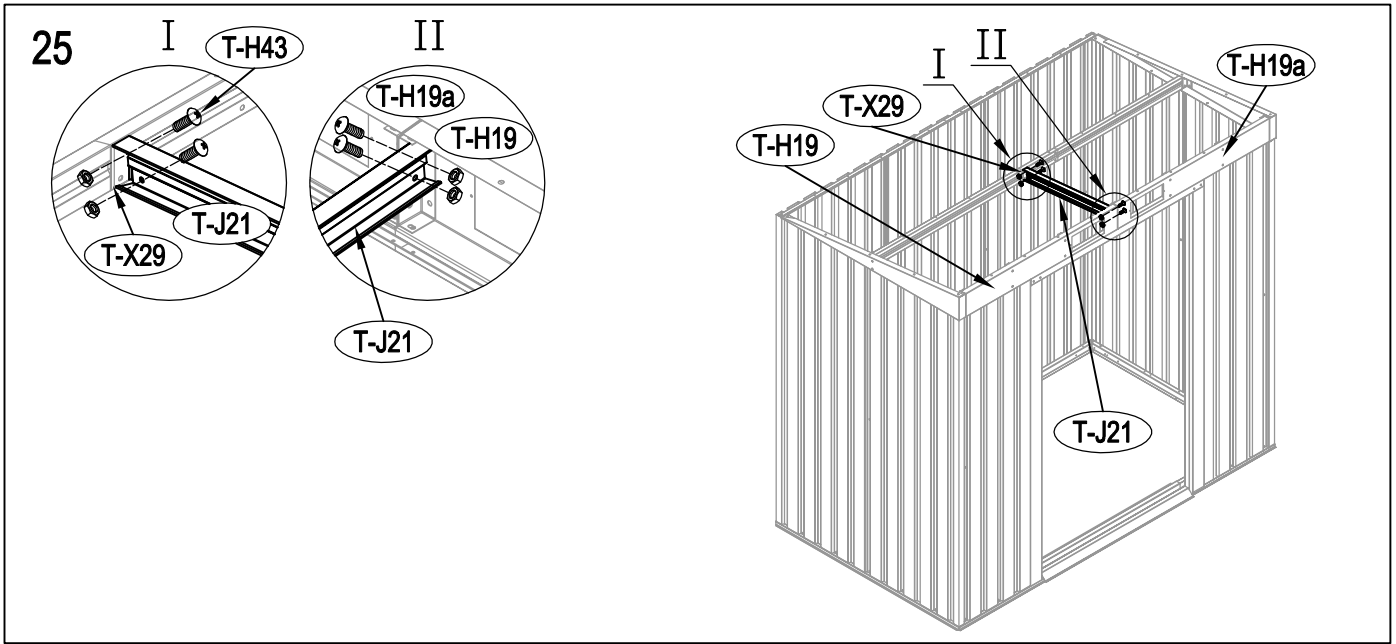


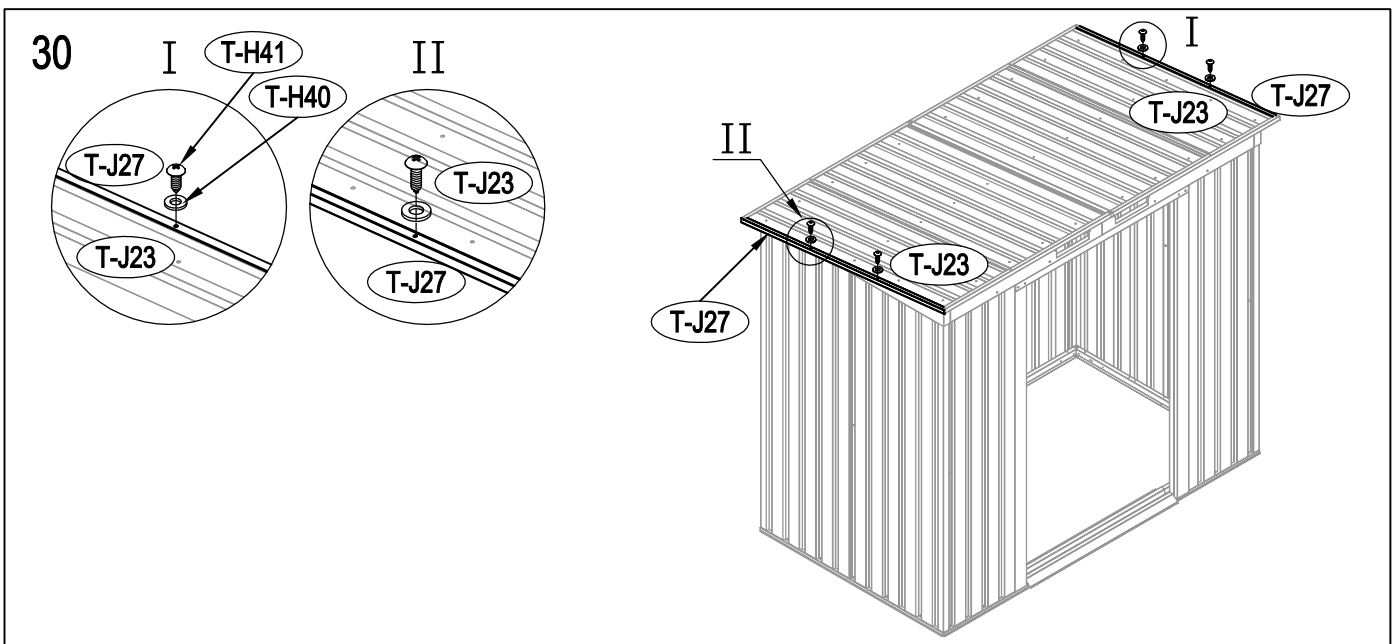
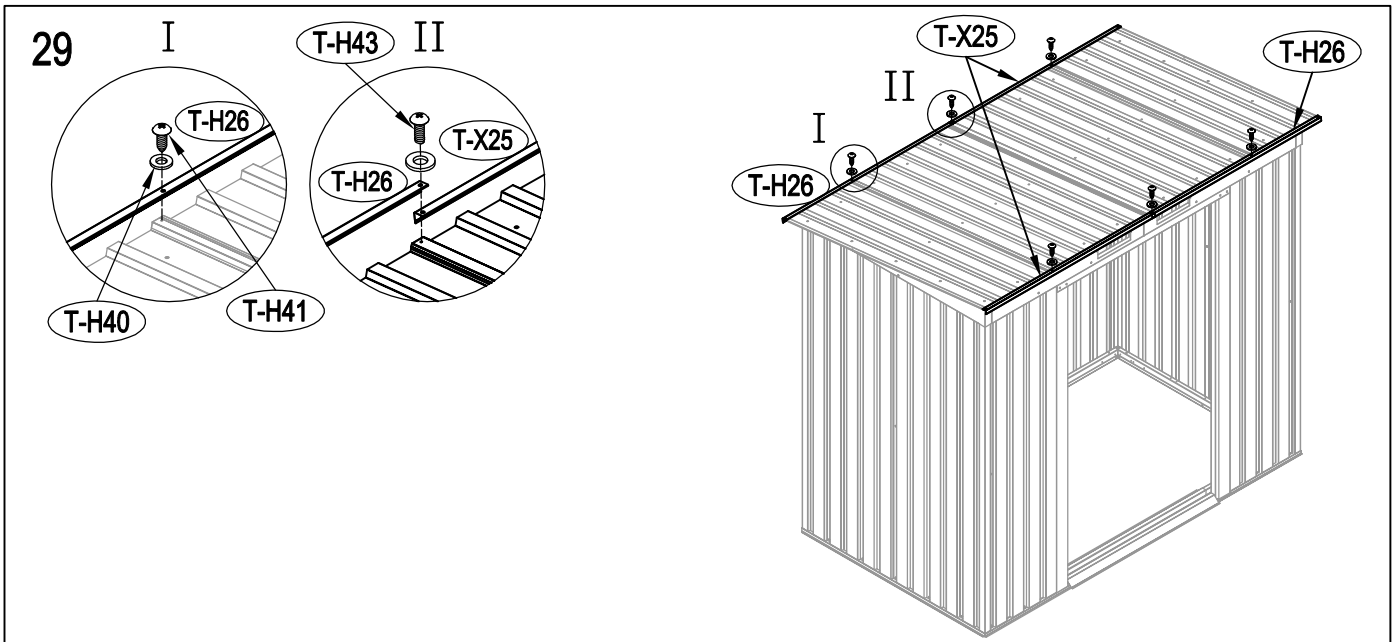
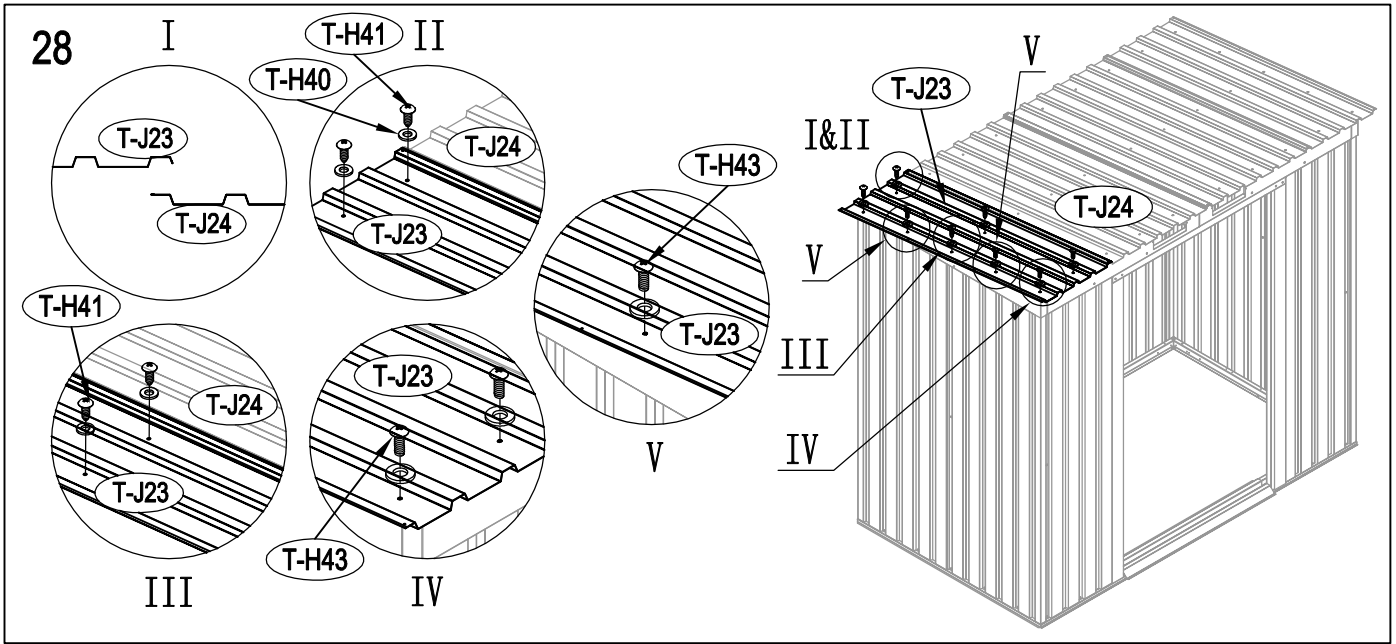


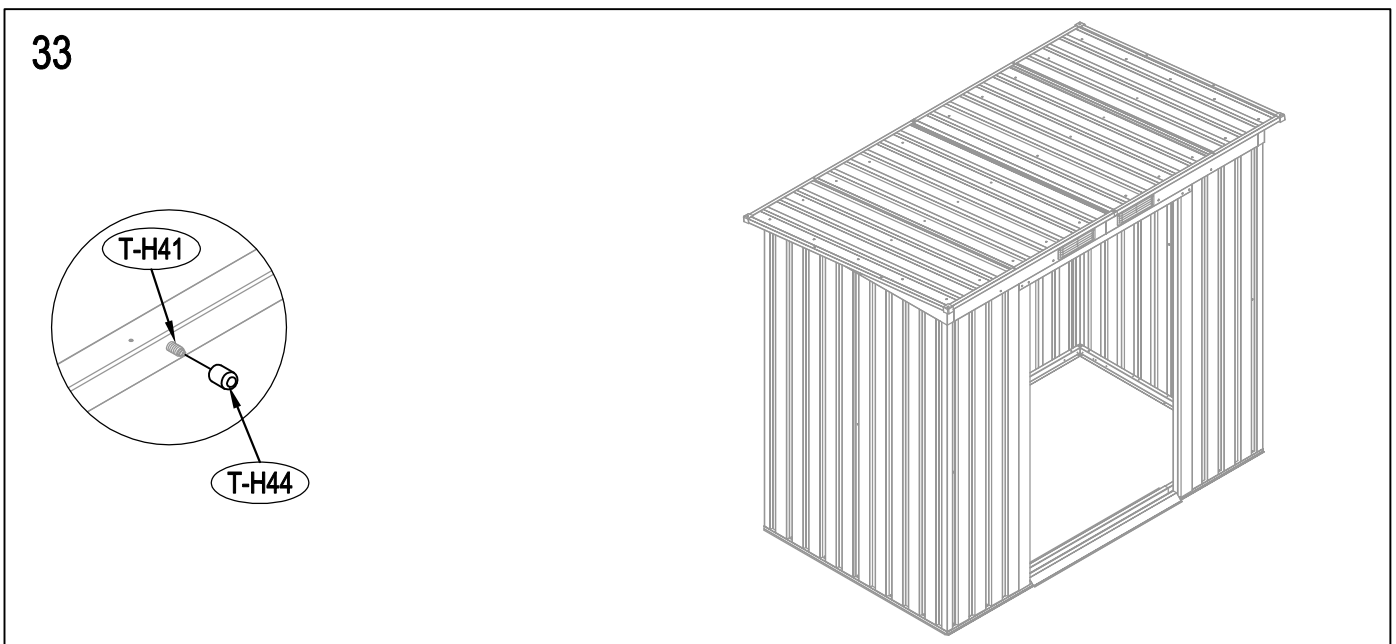
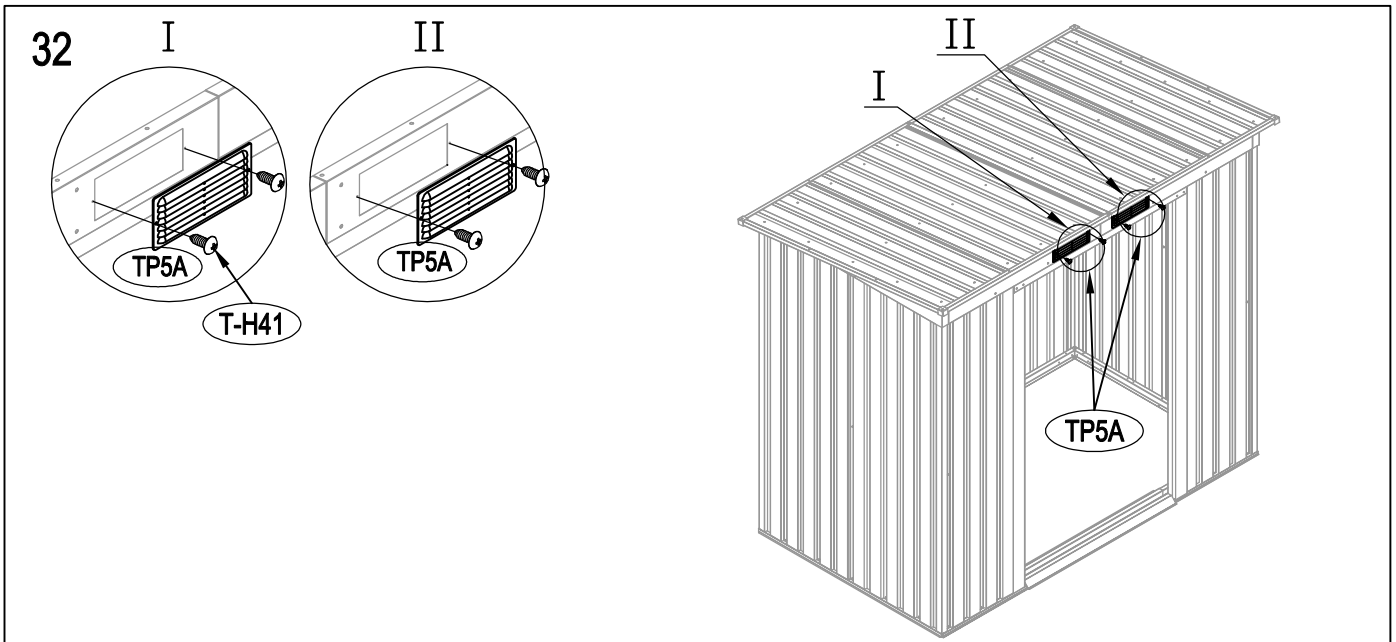
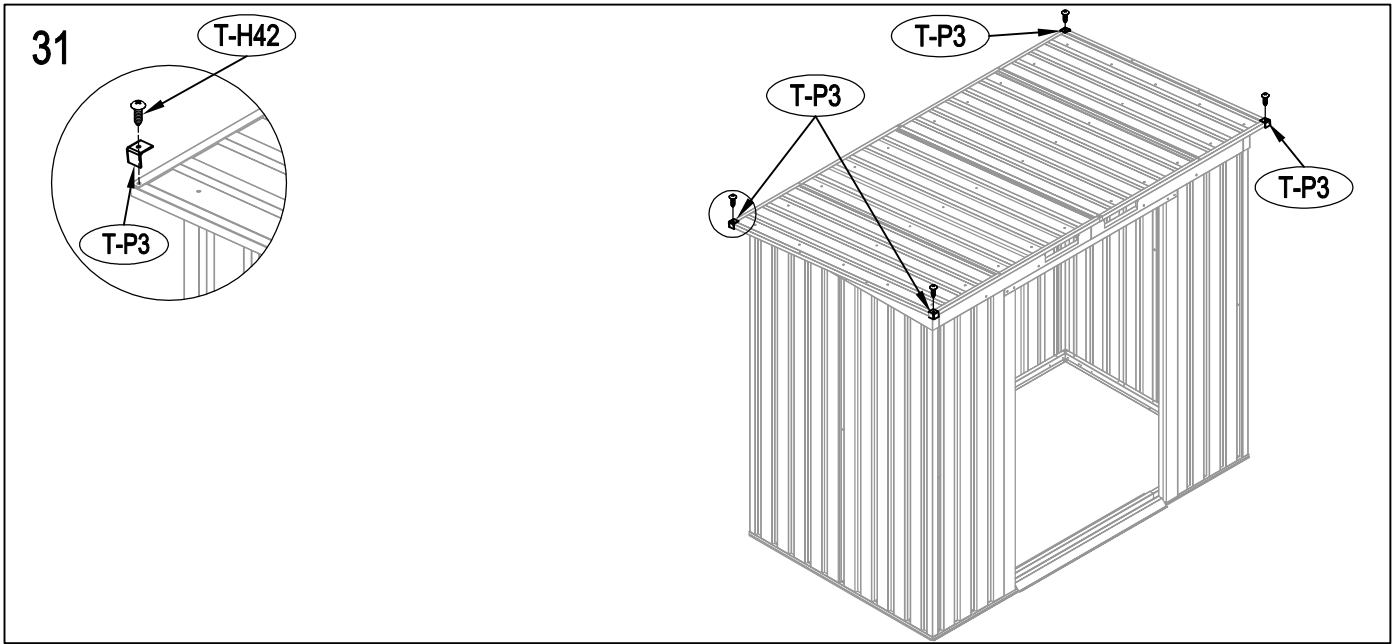












34

